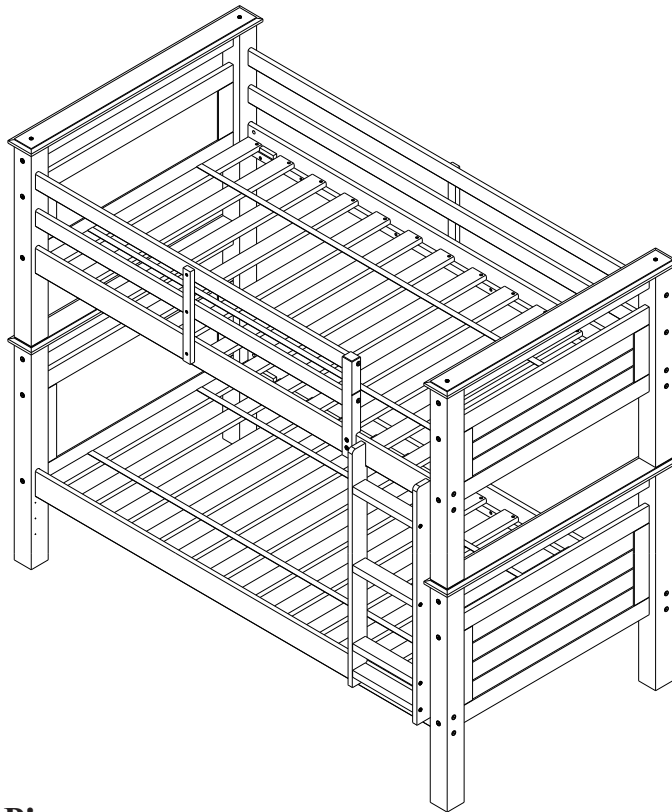


ASSEMBLY INSTRUCTIONS

TWIN OVER TWIN
BUNK BED
WITH TRUNDLE DRAWER



WE ARE HERE TO HELP!

WE DO OUR BEST TO INSURE THAT YOUR FURNITURE ARRIVES IN EXCELLENT CONDITION. IN THE EVENT THAT A PART IS DAMAGED OR MISSING, LINON HOME DECOR WILL BE HAPPY TO PROVIDE YOU WITH REPLACEMENT PARTS, AT NO CHARGE, WITHIN 30 DAYS OF PURCHASE, PROVIDING THE PARTS ARE AVAILABLE IN OUR WAREHOUSE AND THE ITEM PURCHASED IS PART OF OUR CURRENT INVENTORY. IN ORDER TO RECEIVE REPLACEMENT PARTS, AT NO CHARGE, YOU MUST PROVIDE PROOF OF PURCHASE WITHIN 30 DAYS.

IF YOU NEED ASSISTANCE WITH ASSEMBLY OR REPLACEMENT PARTS, PLEASE CALL LINON CUSTOMER SERVICE, PRIOR TO RETURNING THE ITEM TO THE STORE.

OUR OFFICE IS OPEN MONDAY - FRIDAY 9AM -5PM, EASTERN STANDARD TIME.

OUR TOLL FREE CUSTOMER SERVICE NUMBER IS: 1-800-262-1852.

OR VISIT OUR WEB SITE WWW.LINON.COM TO ORDER REPLACEMENT PARTS AND FOR CARE INSTRUCTIONS ON YOUR NEWLY PURCHASED FURNITURE.

IMPORTANT:

PLEASE READ ALL INSTRUCTIONS IN THIS BOOKLET BEFORE STARTING ASSEMBLY.

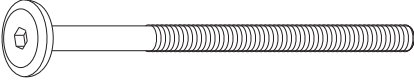
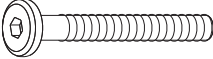
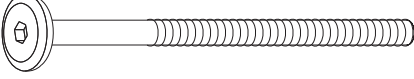
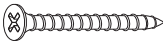

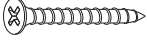
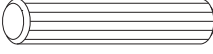
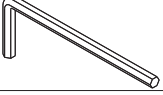
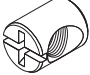
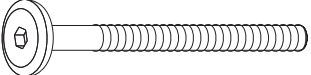
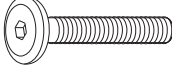
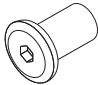
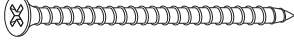
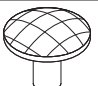
MADE IN VIETNAM

FOR LINON HOME DECOR PRODUCTS INC BY V10

HARDWARE PACKAGE COUNT

OPEN HARDWARE PACKAGE ON A FLAT SURFACE COVERED WITH NEWSPAPER. COUNT EACH PIECE OF HARDWARE TO MATCH THE QUANTITY NUMBER IN THE HARDWARE LIST COLUMN. CALL CUSTOMER SERVICE IF ANY OF THE PARTS ARE MISSING. FOLLOW THE LETTER IDENTIFICATION WHEN READING THE ASSEMBLY DRAWING "1" THROUGH "14".

HARDWARE IDENTIFICATION

ITEM	PICTURE	DESCRIPTION	QTY
1	 \varnothing 1/4" x 130mm	BOLT (4mm HEX HEAD)	16
2	 \varnothing 6.5mm x 48mm	BOLT (4mm HEX HEAD)	16
3	 \varnothing 6.5mm x 120mm	BOLT (4mm HEX HEAD)	30
4	 \varnothing 4mm x 35mm	FLAT HEAD SCREW	52
5	 \varnothing 10mm x 100mm	METAL DOWEL	04
6	 \varnothing 4mm x 30mm	FLAT HEAD SCREW	06
7	 \varnothing 10mm x 50mm	WOOD DOWEL	48
8		ALLEN KEY	01
9	 \varnothing 11.8mm x 15mm	BARREL NUT	16
10	 \varnothing 6.5mm x 80mm	BOLT (4mm HEX HEAD)	02
11	 \varnothing 1/4" x 32mm	BOLT (4mm HEX HEAD)	02
12	 \varnothing 9mm x 17mm	HEX CAP	02
13	 \varnothing 4mm x 60mm	FLAT HEAD SCREW	16
14	 \varnothing 34mm x 29mm	MUSHROOM CAP	04

HARDWARE PACKAGE COUNT

IF ANY PARTS ARE MISSING OR DAMAGED IN THIS PACKAGE, LINON HOME DECOR WILL BE HAPPY TO PROVIDE YOU WITH REPLACEMENT PARTS, AT NO CHARGE, WITHIN 30 DAYS OF PURCHASE, PROVIDING THE PARTS ARE AVAILABLE IN OUR WAREHOUSE AND THE ITEM PURCHASED IS PART OF OUR CURRENT INVENTORY. IN ORDER TO RECEIVE REPLACEMENT PARTS, AT NO CHARGE, YOU MUST PROVIDE PROOF OF PURCHASE WITHIN 30 DAYS.

CALL US TOLL FREE AT 1-800-262-1852. OR VISIT OUR WEB SITE WWW.LINON.COM TO ORDER REPLACEMENT PARTS AND FOR CARE INSTRUCTIONS ON YOUR NEWLY PURCHASED FURNITURE.

IMPORTANT

PLEASE USE ALL THE HARDWARE MENTIONED ABOVE.
THEY WILL ASSURE THE ITEM STABILITY AND SAFETY.

TOOLS REQUIRED

A STANDARD PHILLIPS HEAD SCREWDRIVER (NOT PROVIDED) AND AN ALLEN KEY "8" (PROVIDED) ARE REQUIRED TO ASSEMBLE THIS UNIT. USE A PLASTIC HEAD Mallet TO TAP IN WOODEN DOWELS.

NOTE: A PIECE OF WOOD CAN ALSO BE USED TO KNOCK IN WOODEN DOWELS.

BEFORE ASSEMBLY CLEAN A LARGE AREA TO ASSEMBLE BOTH BEDS, SPREAD NEWSPAPER OR CARPET FLOOR TO PROTECT THE WOOD FINISH DURING ASSEMBLY.

TEST BUNKBEDS FOR ANY MOVEMENT OR LOOSE SCREWS/BOLTS.

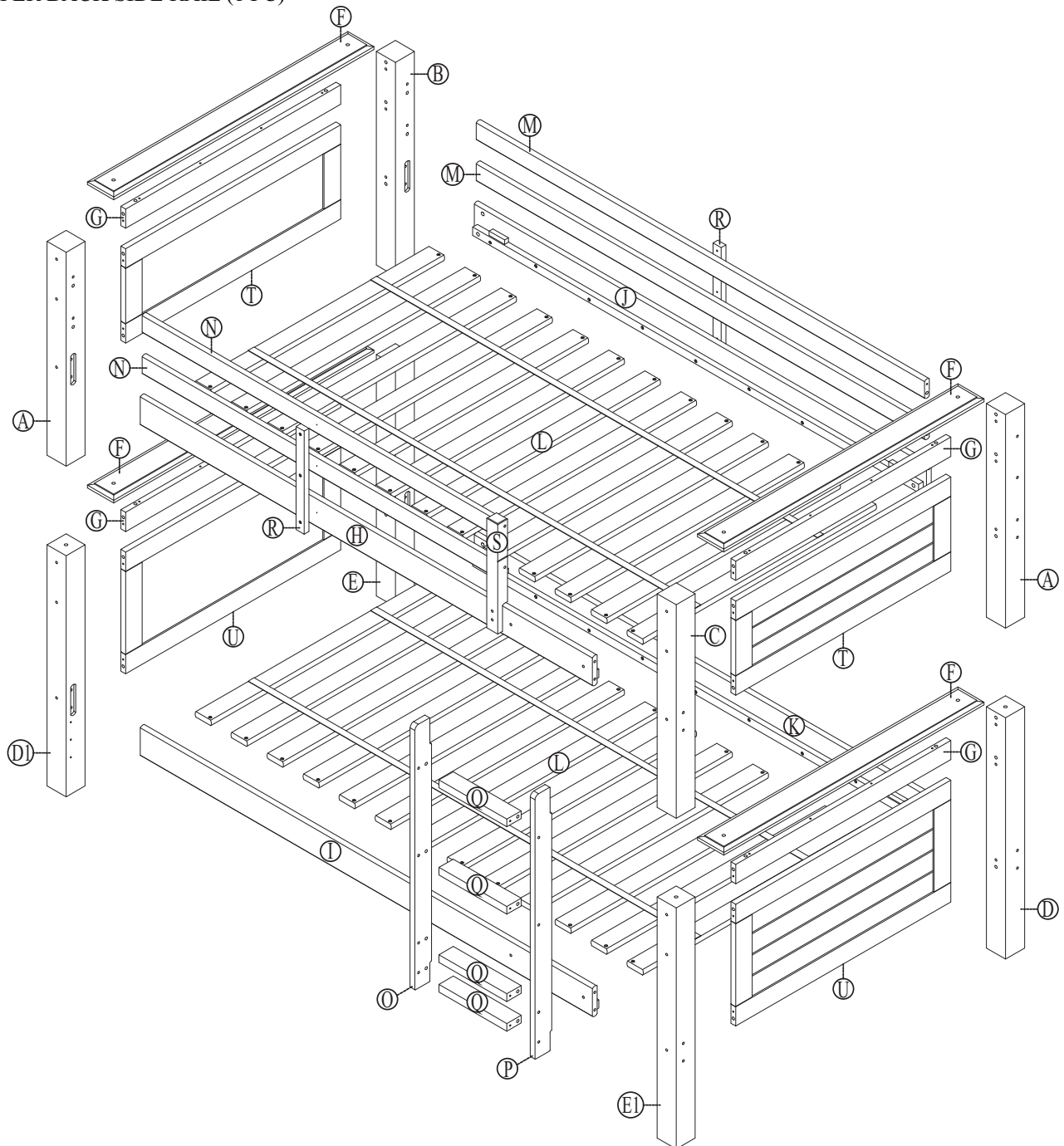
MEASURE INSIDE MATTRESS AREA BEFORE ORDERING YOUR UPPER AND LOWER MATTRESS.

ADULT ASSEMBLY REQUIRED

PART IDENTIFICATION:

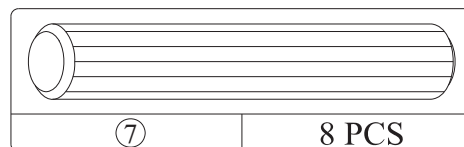
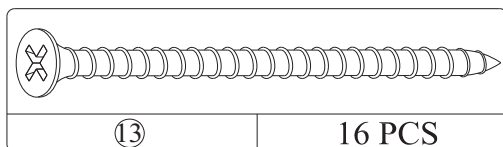
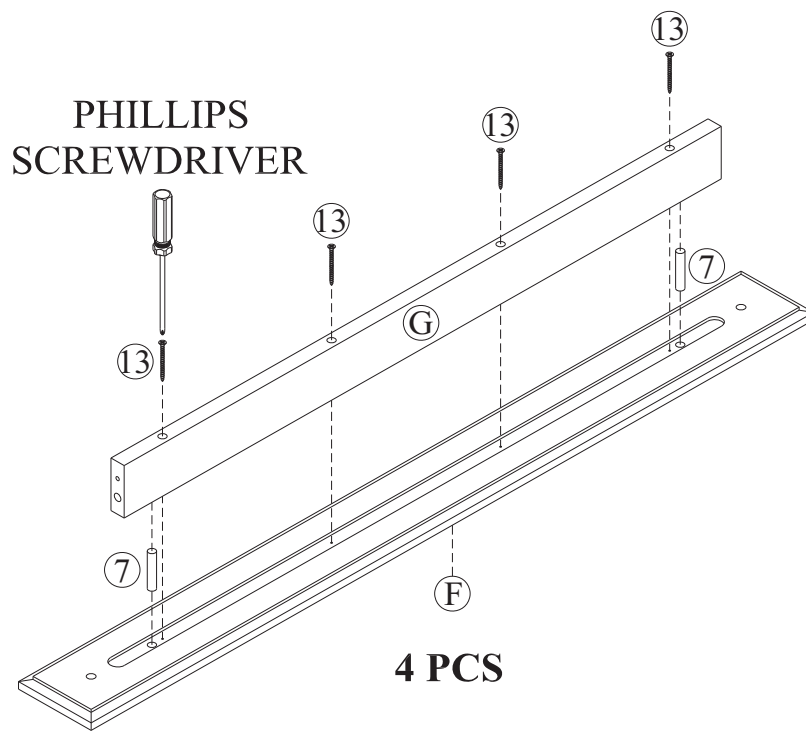
- A - UPPER HEADBOARD AND FOOTBOARD POST (2 PCS)
- B - UPPER HEADBOARD POST (1 PC)
- C - UPPER FOOTBOARD POST (1 PC)
- D - LOWER HEADBOARD POST (1 PC)
- E - LOWER FOOTBOARD POST (1 PC)
- E1 - LOWER FOOTBOARD POST (1 PC)
- F - HEADBOARD TOP CAP (4 PCS)
- G - HEADBOARD TOP CROSSBAR (4 PCS)
- H - UPPER FRONT SIDE RAIL (1 PC)
- I - LOWER FRONT SIDE RAIL (1 PC)
- J - UPPER BACK SIDE RAIL (1 PC)

- K - LOWER BACK SIDE RAIL (1 PC)
- L - MATTRESS SUPPORT SLAT (2 SETS)(26 PCS)
- M - LONG GUARDRAIL (2 PCS)
- N - SHORT GUARDRAIL (2 PCS)
- O - LEFT LADDER RAIL (1 PC)
- P - RIGHT LADDER RAIL (1 PC)
- Q - LADDER STEP (4 PCS)
- R - GUARDRAIL REINFORCEMENT CROSSBAR (2 PCS)
- S - SHORT GUARDRAIL POST (1 PC)
- T - UPPER HEADBOARD PANEL (2 PCS)
- U - LOWER HEADBOARD PANEL (2 PCS)



STEP 1

Insert wood dowels (7) into the holes of the headboard top cap (F). Attach headboard top crossbar (G) to headboard top cap (F) with flat head screws (13) as shown. Use a Phillips screwdriver (not included) to tighte flat head screws (13) as shown



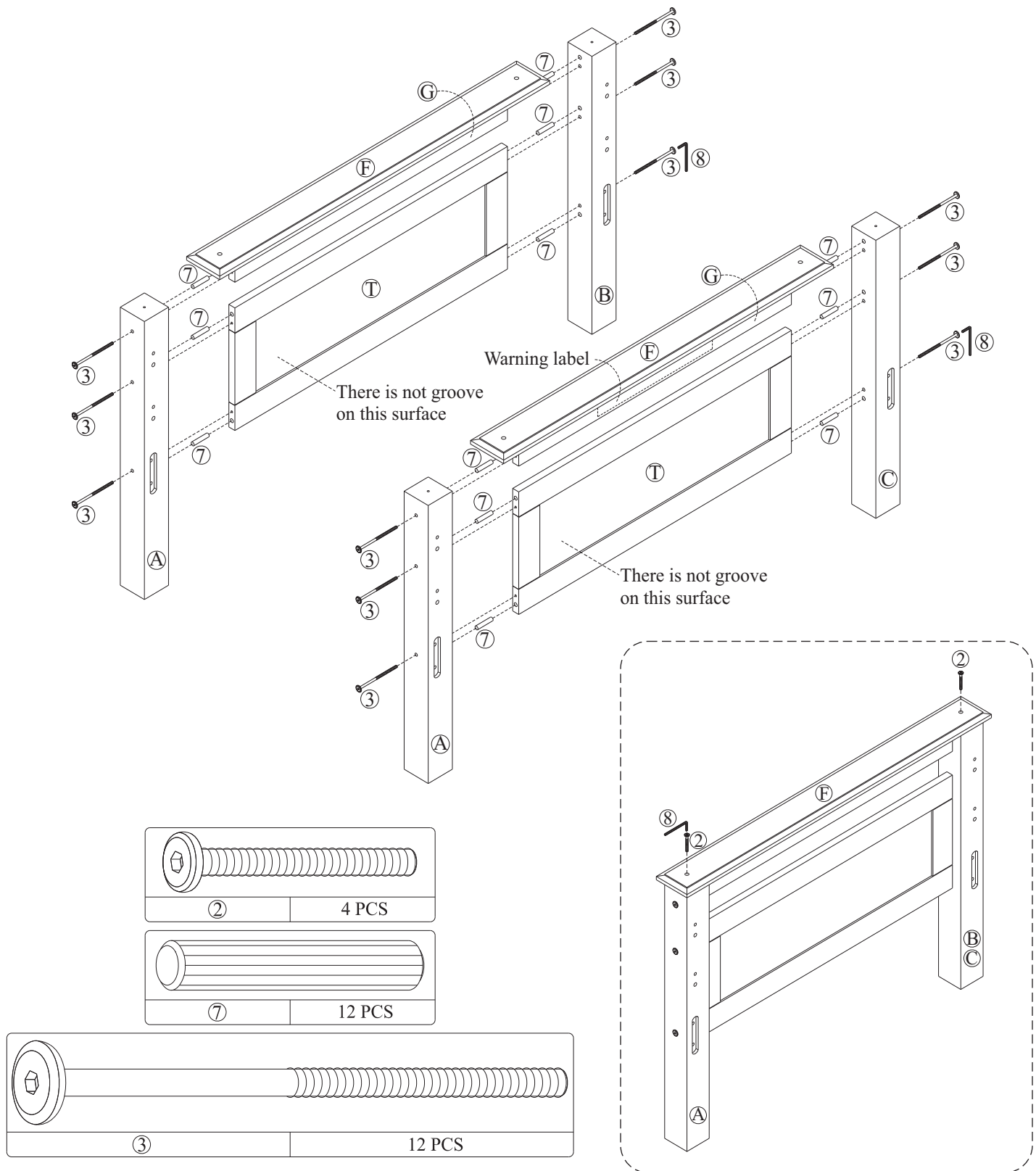
STEP 2

Insert wood dowels (7) into the end holes of headboard top crossbar (G) and upper headboard panel (T). Attach upper posts (A) and (B) to headboard top crossbar (G) and upper headboard panel (T) using bolt (3) as shown. Tighten the bolts (3) with the allen key (8).

Attach headboard top cap (F) to upper posts (A) and (B) using bolt (2) as shown. Tighten the bolts (2) with the allen key (8).
NOTES: Headboard top crossbar (G) and upper headboard panel (T) may require that they be pulled closer together or further apart in order to allow wood dowels (7) to align with holes in upper posts (A and B).

Repeat the previous step to assemble the remaining one set of upper headboards.

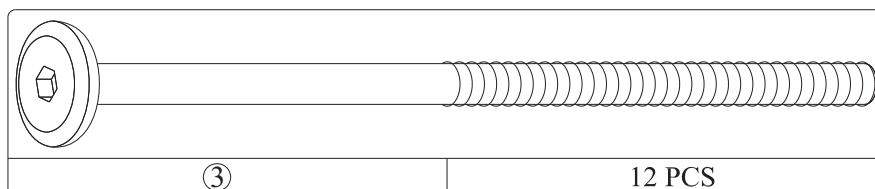
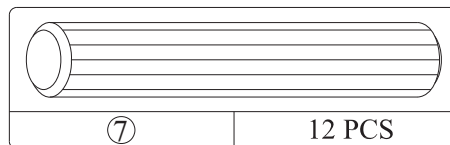
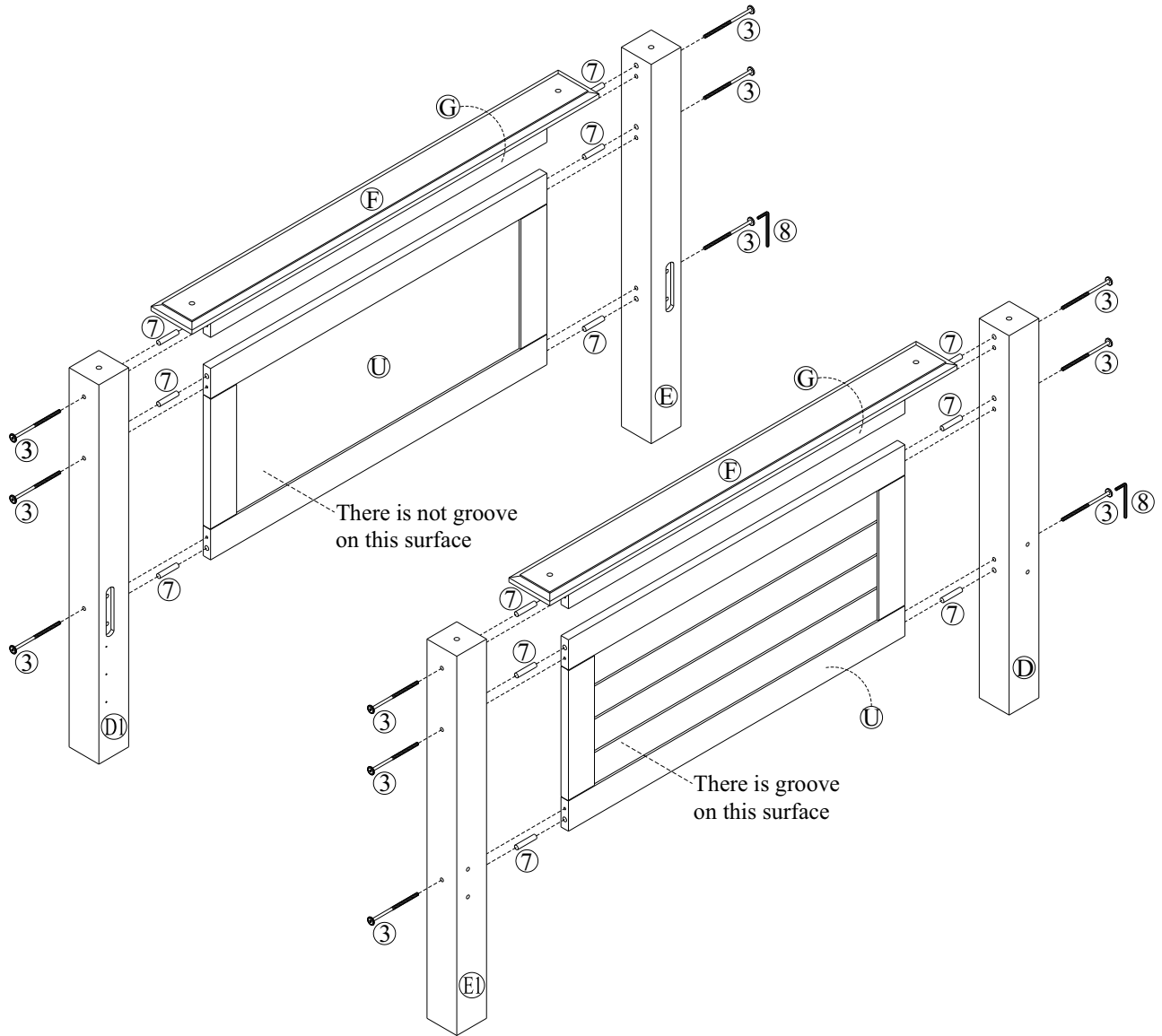
NOTE: Be sure to use headboard top crossbar (G) with warning label attached to it between upper posts (A) and (C).
See illustration for label orientation.



STEP 3

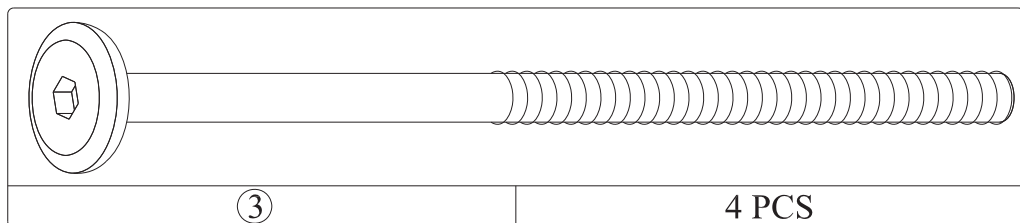
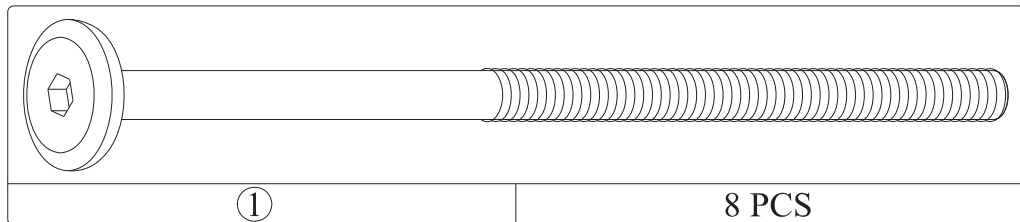
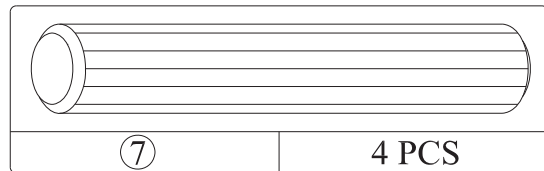
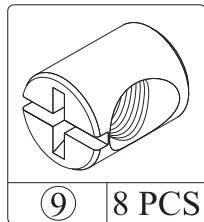
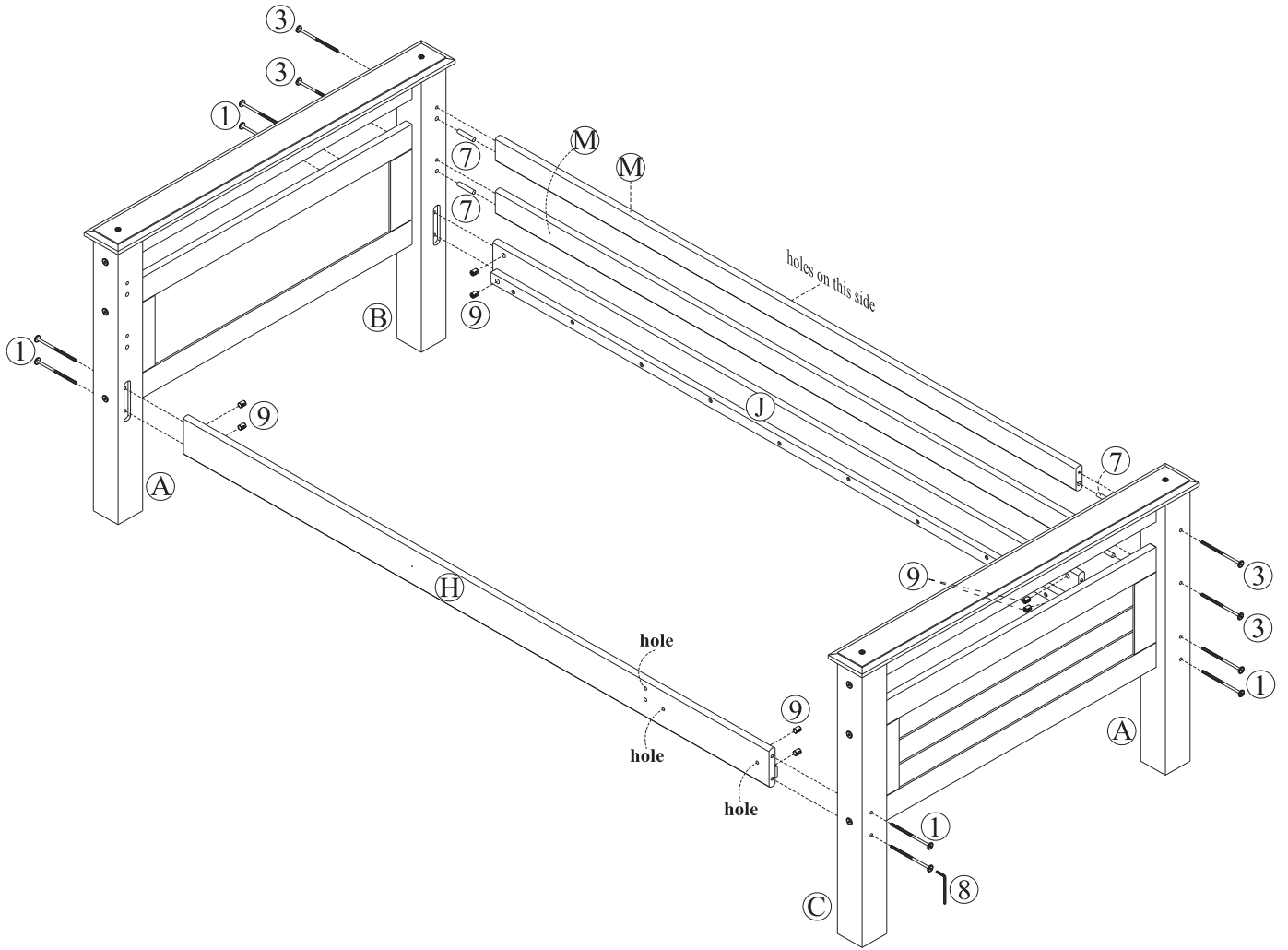
Insert wood dowels (7) into the end holes of headboard top crossbar (G) and lower headboard panel (U). Attach lower post (D1) and (E) to headboard top crossbar (G) and lower headboard panel (U) using bolts (3) as shown. Tighten the bolts (3) with the allen key (8).

Repeat the previous step to assemble the remaining one set of lower headboards.



STEP 4

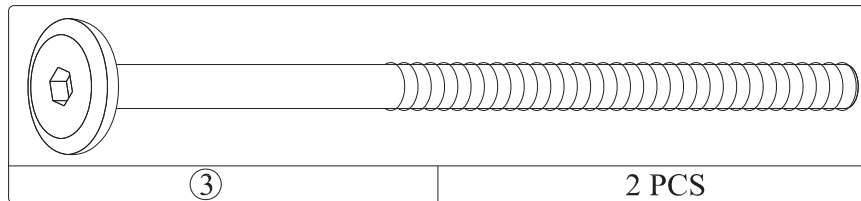
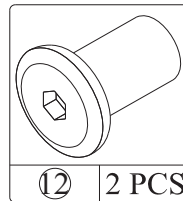
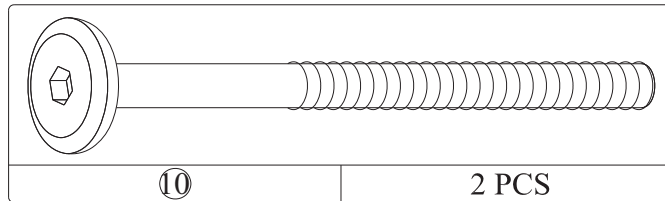
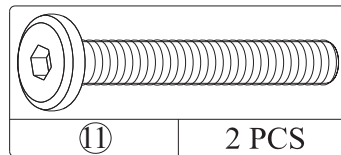
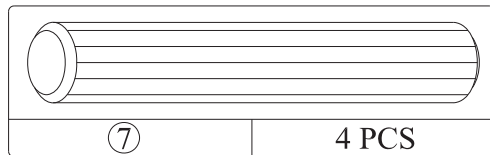
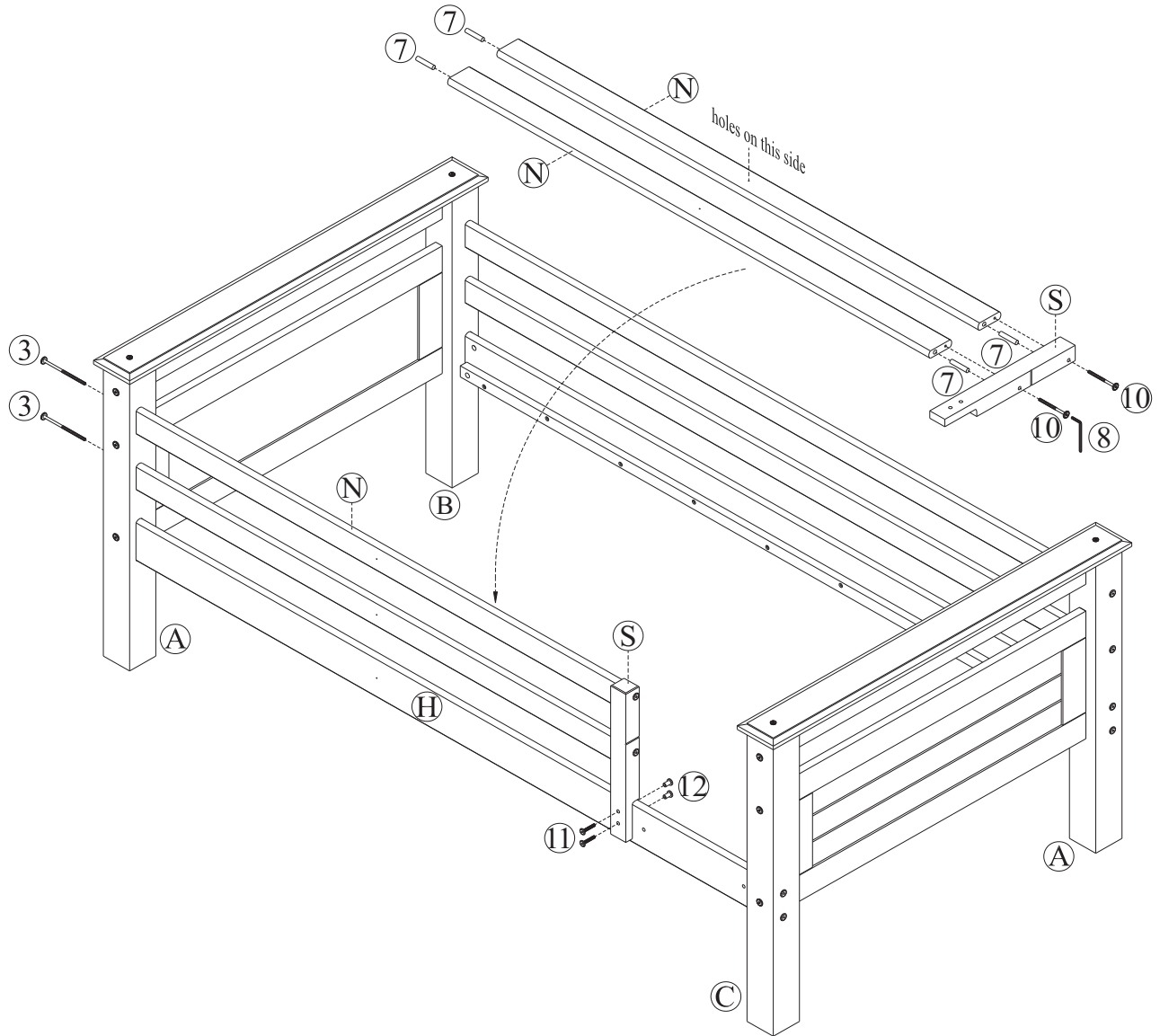
Insert wood dowels (7) into each end of the long guardrails (M). Attach two long guardrails (M) and two upper side rails (H & J) to upper posts (A and B) & (A and C) as shown. Fasten upper side rails (H & J) with bolts (1) and barrel nuts (9). Fasten long guardrails (M) with bolts (3). Tighten the bolts (1) and bolts (3) with the allen key (8).



STEP 5

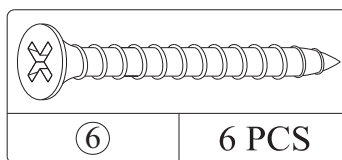
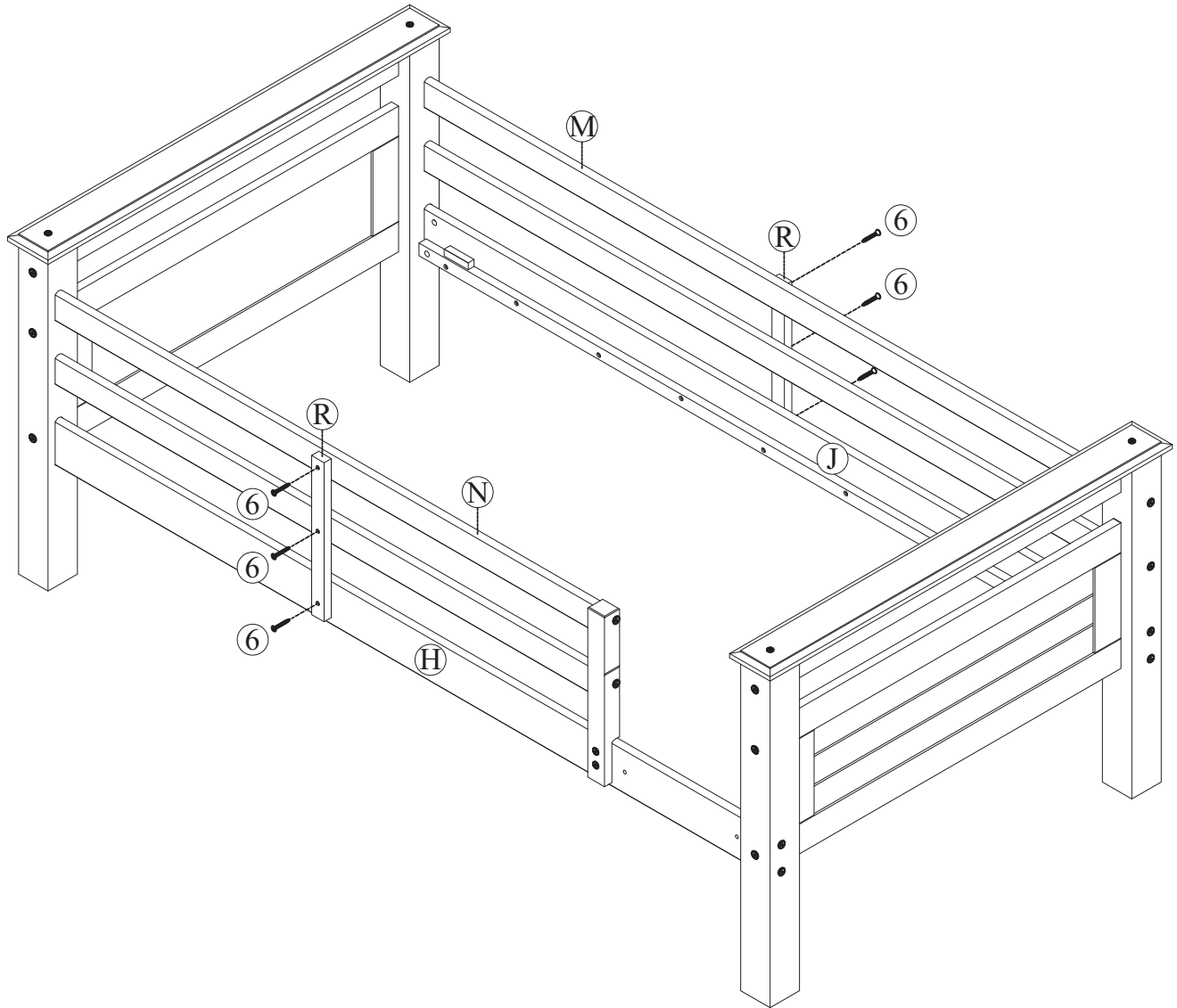
Insert wood dowel (7) into each end of the short guardrails (N). Attach two short guardrails (N) to short guardrail post (S) with bolts (10) as shown.

Fasten two short guardrails (N) to upper post (A) with bolts (3). Fasten the short guardrail post (S) to upper front side rail (H) with bolts (11) and hex cap (12) as shown.



STEP 6

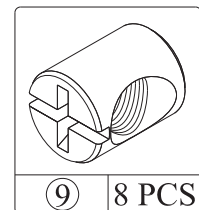
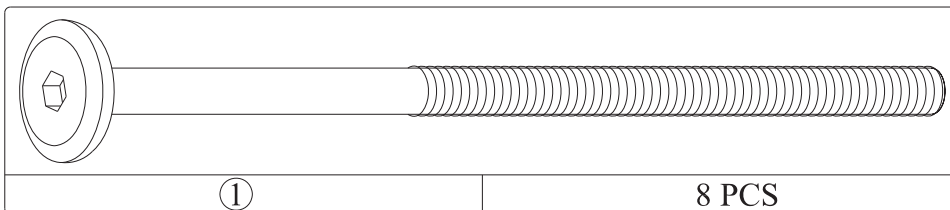
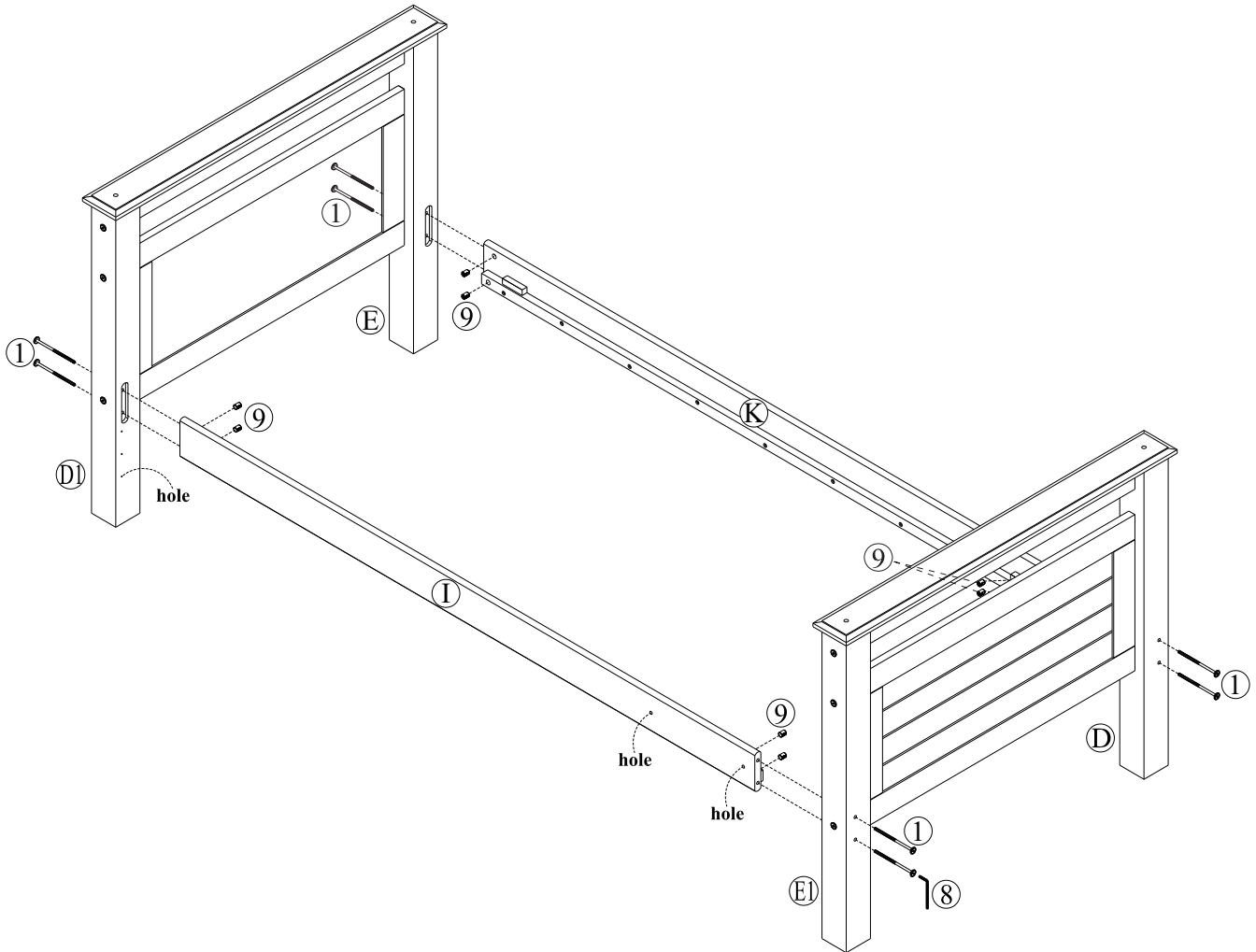
Attach the guardrail reinforcement crossbar (R) to the short guardrails (N) and upper front side rail (H) with flat head screw (6). Attach another guardrail reinforcement crossbar (R) (on the other side of the bed) to long guardrails (M) and upper back side rail (J) with flat head screws (6) as shown. Use Phillips screwdriver (not included) to tighten flat head screws



STEP 7

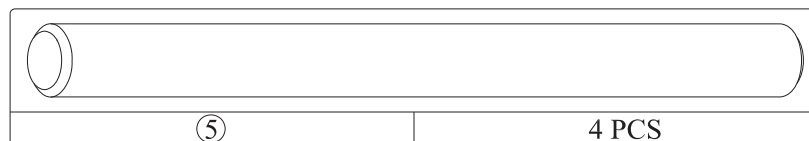
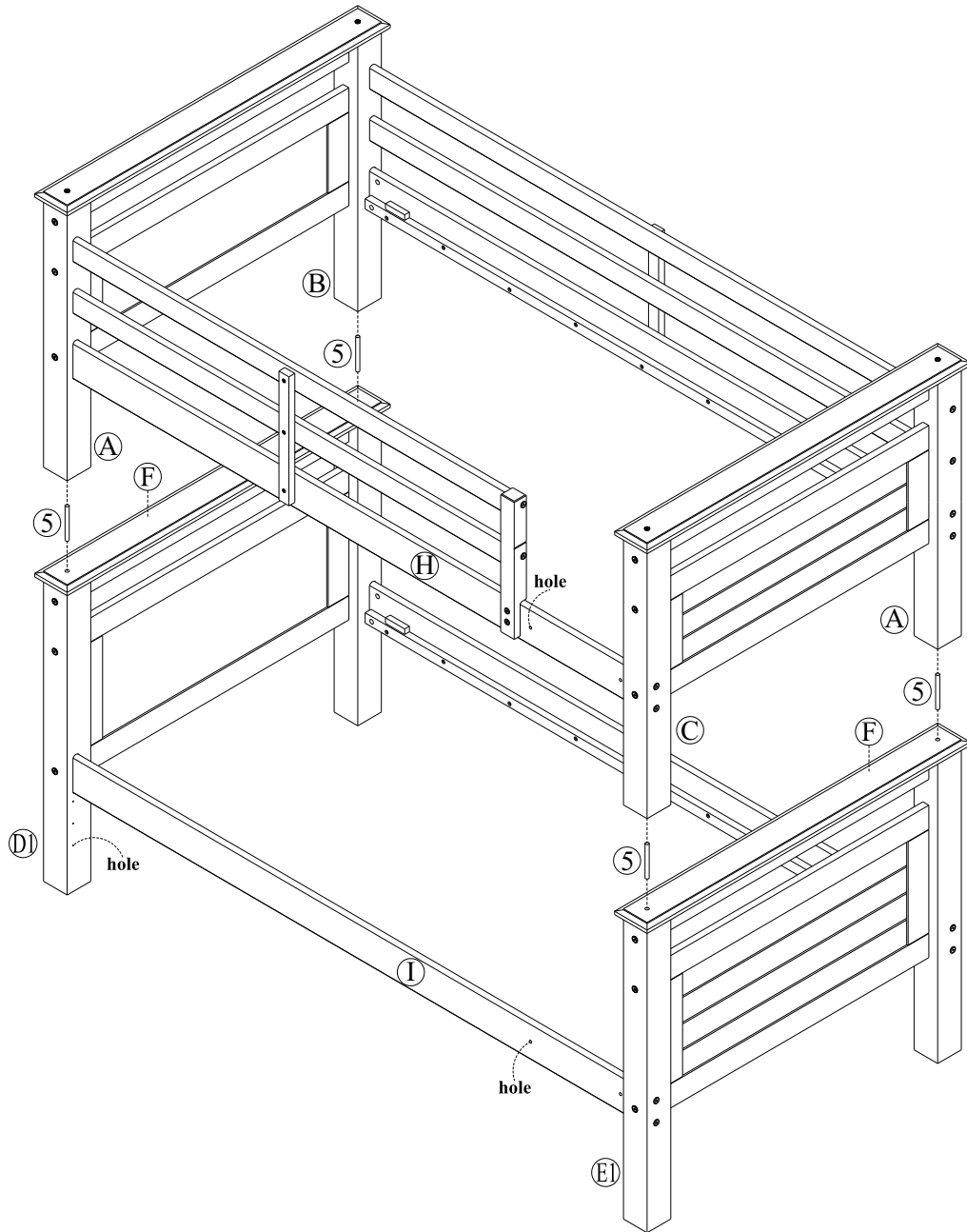
Attach the two headboards with lower posts (D & D1 & E & E1) to lower side rail (I & K) using bolts (1) and barrel nuts (9) as shown. Tighten the bolts (1) with the allen key (8).

Note: This is the lower bunk.



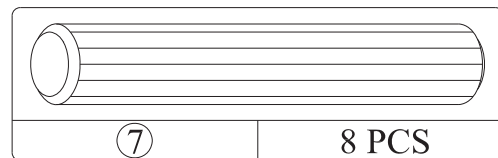
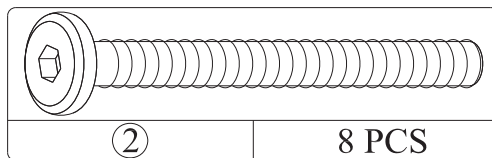
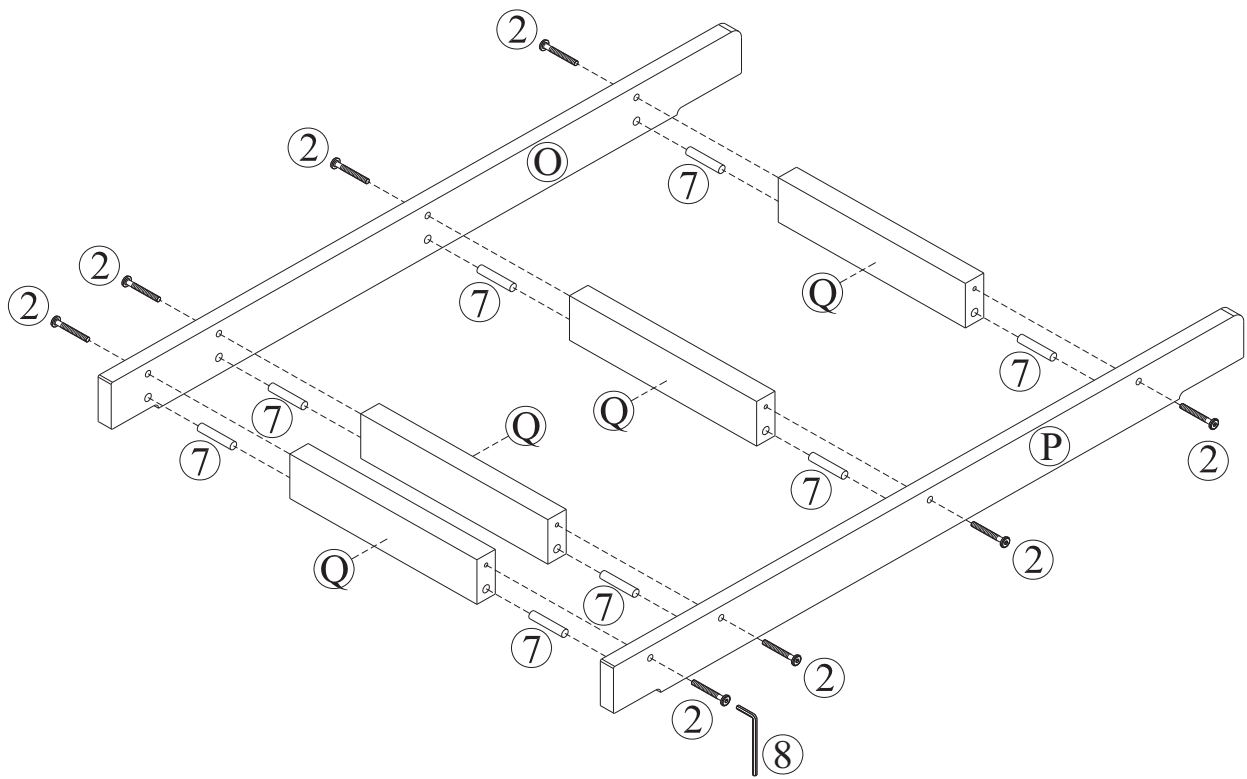
STEP 8

Place four metal dowels (5) into the holes in the headboard top cap (F). Stack the top bunk onto the bottom bunk with the help of another person.



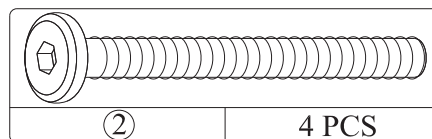
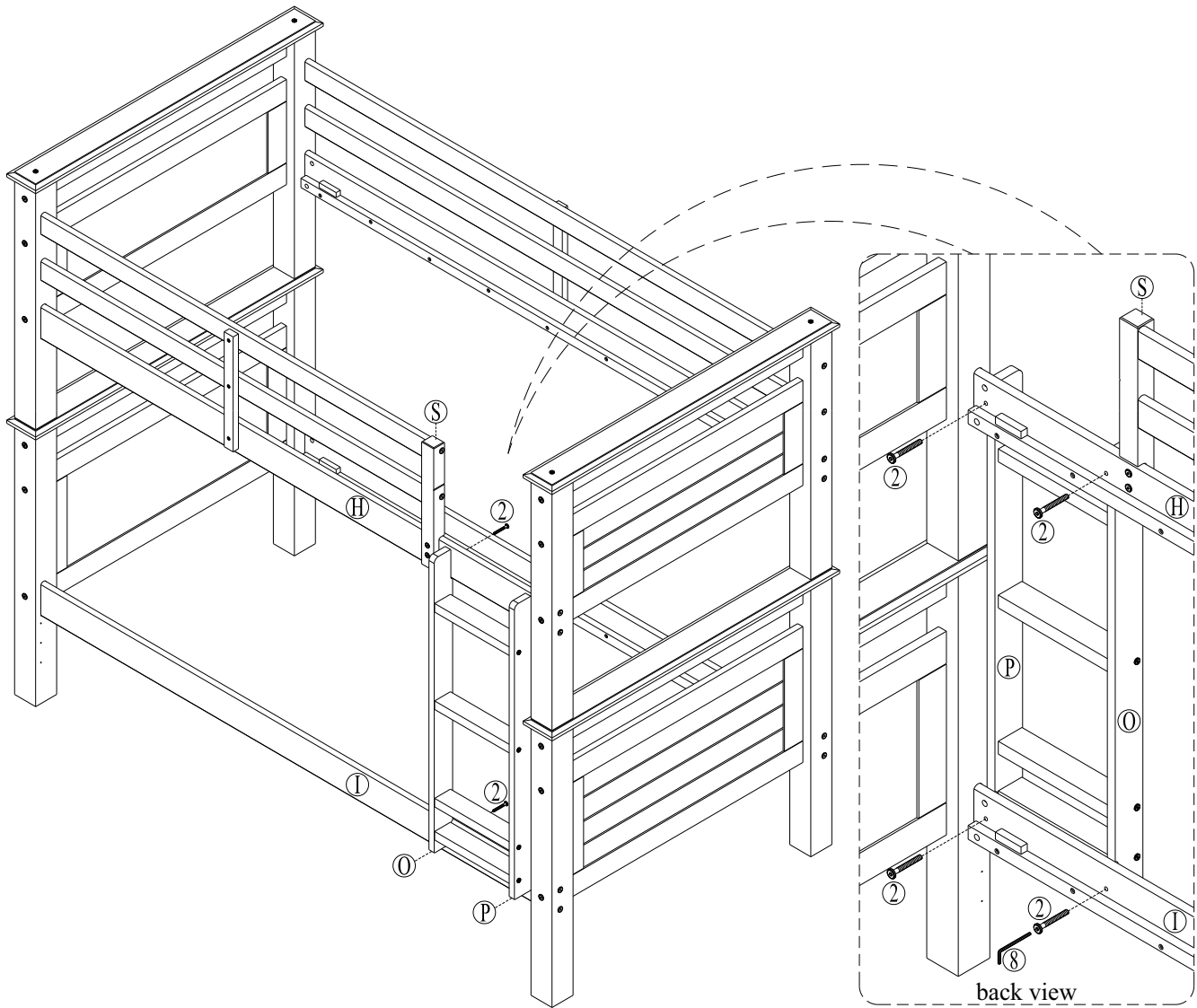
STEP 9

To assemble the ladder, insert wood dowels (7) into the end of the ladder steps (Q). Attach left ladder rail (O) and right ladder rail (P) to ladder steps (Q) with bolts (2). Tighten the bolts (2) with the allen key (8).



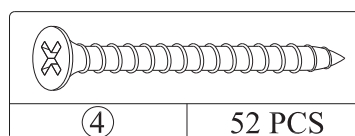
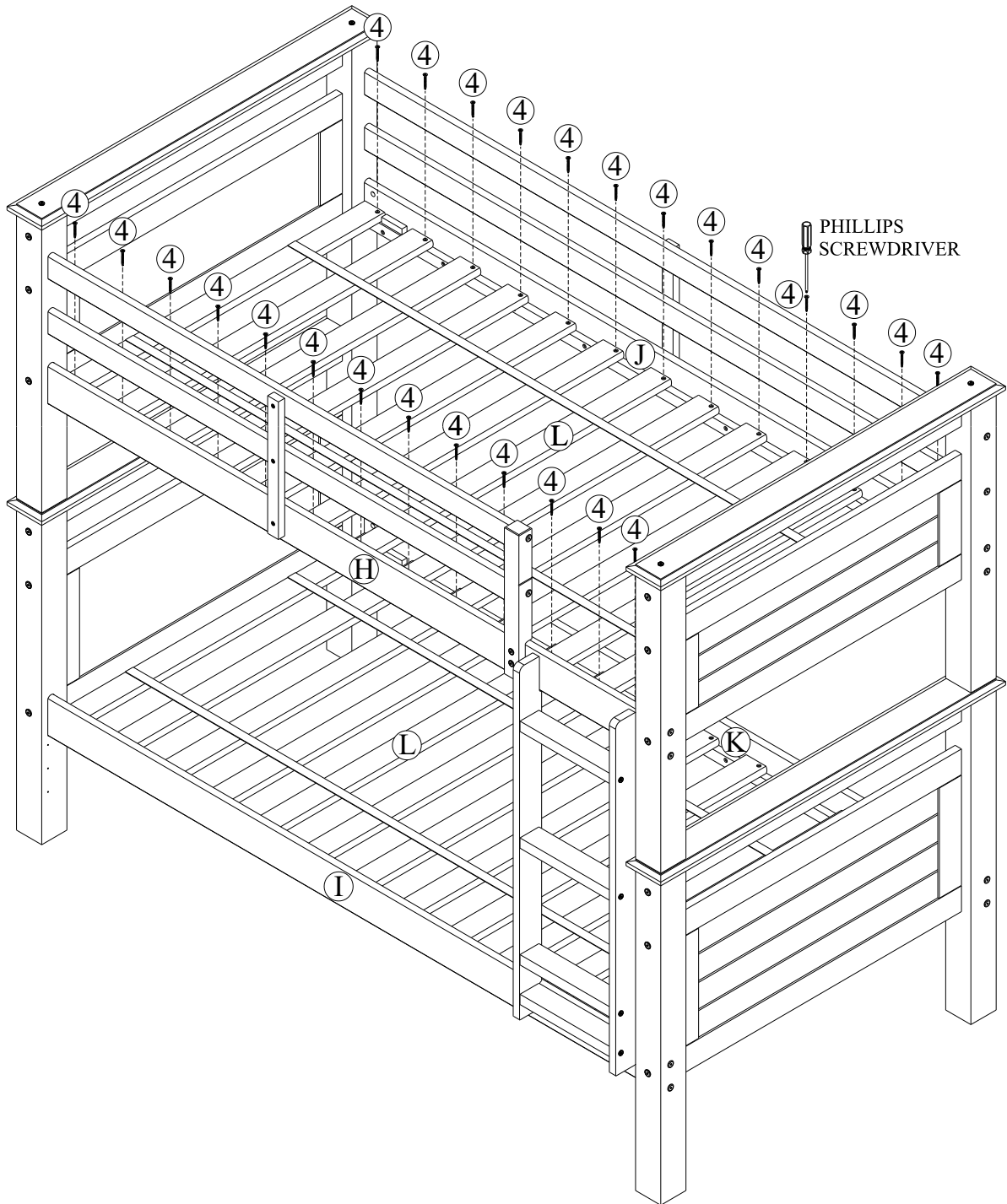
STEP 10

Attach the ladder to the upper front side rail (H) and lower front side rail (I) with bolts (2) as shown. Use allen key (8) to tighten the bolts.



STEP 11

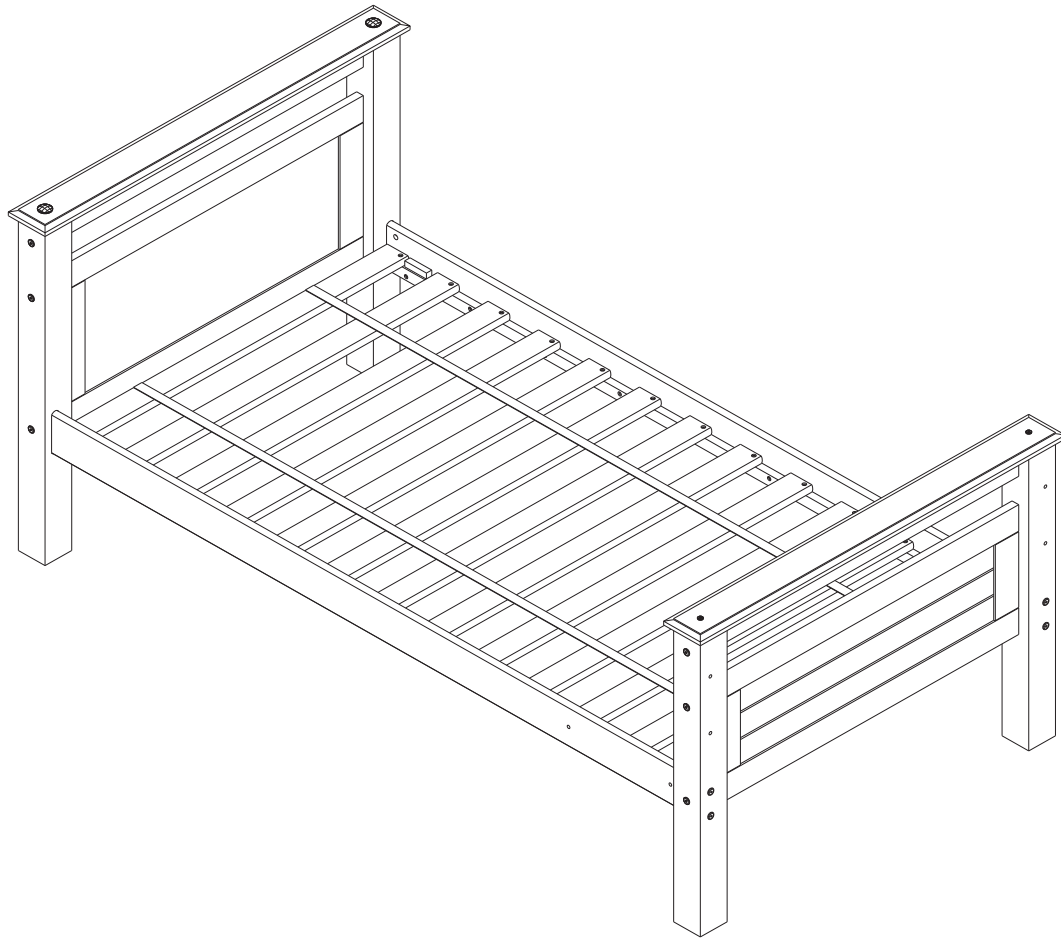
Attach a mattress support slat (L) onto the side rails (H & J) of the upper bunk so that it touches the corner posts (as close to the headboard as possible) with flat head screws (4) and a standard phillips head screwdriver (not provided) Attach the rest of the mattress support slats (L) onto the side rails (H & J) with flat head screws (4)
Proceed in the same way as previous step to attach the other mattress support slats (L) onto the side rails (I & K) of lower bunk.



WARNING !!!

TO HELP PREVENT SERIOUS OR FATAL INJURIES FROM ENTRAPMENT OR FALLS:

- 1 - FOLLOW THE INFORMATION ON THE WARNINGS APPEARING ON THE UPPER BUNK END STRUCTURE AND ON THE CARTON. DO NOT REMOVE WARNING LABEL FROM BED.
- 2 - ALWAYS USE THE RECOMMENDED SIZE MATTRESS OR MATTRESS SUPPORT, OR BOTH, TO HELP PREVENT THE LIKELIHOOD OF ENTRAPMENT OR FALLS.
- 3 - USE ONLY MATTRESS WHICH IS 74" - 75" LONG AND 37 1/2" - 38 1/2" WIDE ON UPPER BUNK, AND MATTRESS WHICH IS 74" - 75" LONG AND 53 1/2" - 54 1/2" WIDE ON LOWER BUNK.
- 4 - SURFACE OF MATTRESS MUST BE AT LEAST 5 IN. (127MM) BELOW THE UPPER EDGE OF GUARDRAILS.
- 5 - ENSURE THICKNESS OF MATTRESS DOES NOT EXCEED 20.3 CM (8") AND THAT MATTRESS SURFACE IS AT LEAST 12.7 CM (5") BELOW UPPER EDGE OF GUARDRAILS.
- 6 - DO NOT ALLOW CHILDREN UNDER 6 YEARS OF AGE TO USE THE UPPER BUNK.
- 7 - PERIODICALLY CHECK AND ENSURE THAT THE GUARDRAIL, LADDER, AND OTHER COMPONENTS ARE IN THEIR PROPER POSITION, FREE FROM DAMAGE, AND THAT ALL CONNECTORS ARE TIGHT.
- 8 - DO NOT ALLOW HORSEPLAY ON OR UNDER THE BED. PROHIBIT JUMPING ON THE BED.
- 9 - PROHIBIT MORE THAN ONE PERSON ON UPPER BUNK.
- 10 - RECOMMENDED WEIGHT ON UPPER BUNK BED NOT TO EXCEED 165 LBS = 75 KG
- 11 - ALWAYS USE THE LADDER FOR ENTERING AND LEAVING THE UPPER BUNK.
- 12 - DO NOT USE SUBSTITUTE PARTS. CONTACT THE MANUFACTURER OR DEALER FOR REPLACEMENT PARTS.
- 13 - **FOR REPLACEMENT PARTS, PLEASE CONTACT: LINON HOME DECOR PRODUCTS, INC. - TOLL FREE NUMBER 1.800.262.1852.**
- 14 - USE OF A NIGHT LIGHT MAY PROVIDE ADDED SAFETY PRECAUTION FOR A CHILD USING THE UPPER BUNK.
- 15 - ALWAYS USE GUARDRAILS ON BOTH LONG SIDES OF THE UPPER BUNK.
- 16 - IF THE BUNK BED WILL BE PLACED NEXT TO A WALL, THE GUARDRAIL THAT RUNS THE FULL LENGTH OF THE BED SHOULD BE PLACED AGAINST THE WALL TO PREVENT ENTRAPMENT BETWEEN THE BED AND THE WALL.
- 17 - THE USE OF WATER OR SLEEP FLOTATION MATTRESSES IS PROHIBITED.
- 18 - KEEP THESE INSTRUCTIONS FOR FUTURE REFERENCE.
- 19 - STRANGULATION HAZARD - NEVER ATTACH OR HANG ITEMS TO ANY PART OF THE BUNK BED THAT ARE NOT DESIGNED FOR USE WITH THE BED; FOR EXAMPLE, BUT NOT LIMITED TO, HOOKS, BELTS AND JUMPROPES.



WE ARE HERE TO HELP!

WE DO OUR BEST TO ENSURE THAT YOUR FURNITURE ARRIVES IN EXCELLENT CONDITION. IN THE EVENT THAT A PART IS DAMAGED OR MISSING, LINON HOME DECOR WILL BE HAPPY TO PROVIDE YOU WITH REPLACEMENT PARTS, AT NO CHARGE, WITHIN 30 DAYS OF PURCHASE, PROVIDING THE PARTS ARE AVAILABLE IN OUR WAREHOUSE AND THE ITEM PURCHASED IS PART OF OUR CURRENT INVENTORY. IN ORDER TO RECEIVE REPLACEMENT PARTS, AT NO CHARGE, YOU MUST PROVIDE PROOF OF PURCHASE WITHIN 30 DAYS.

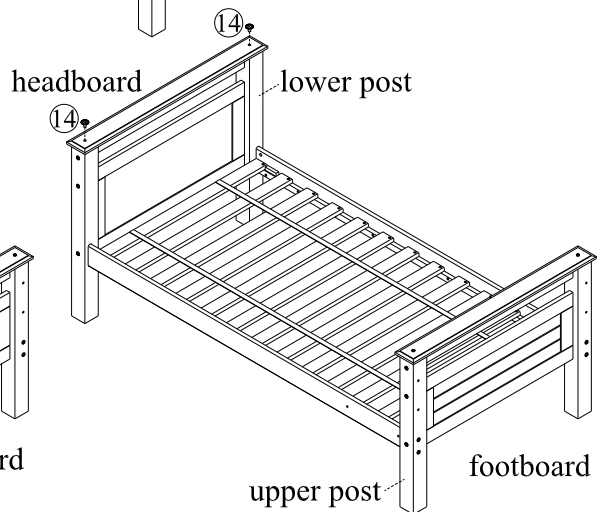
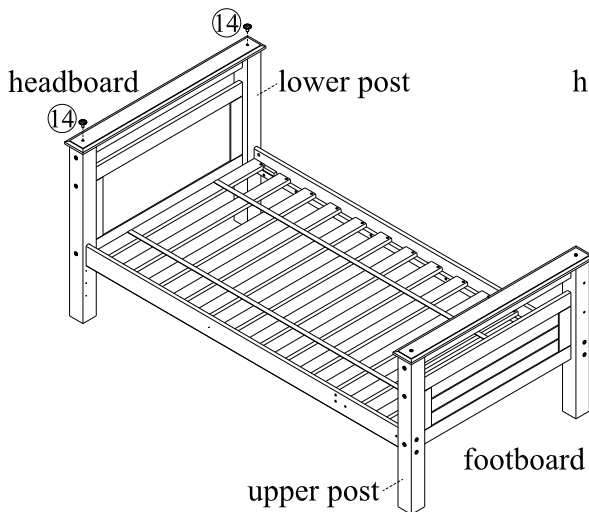
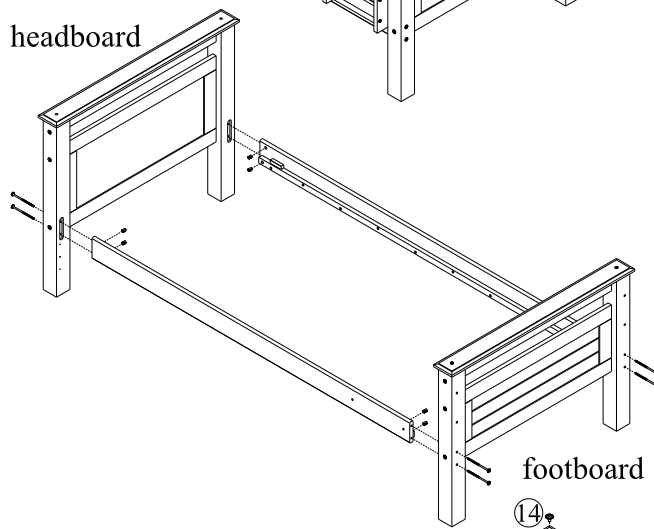
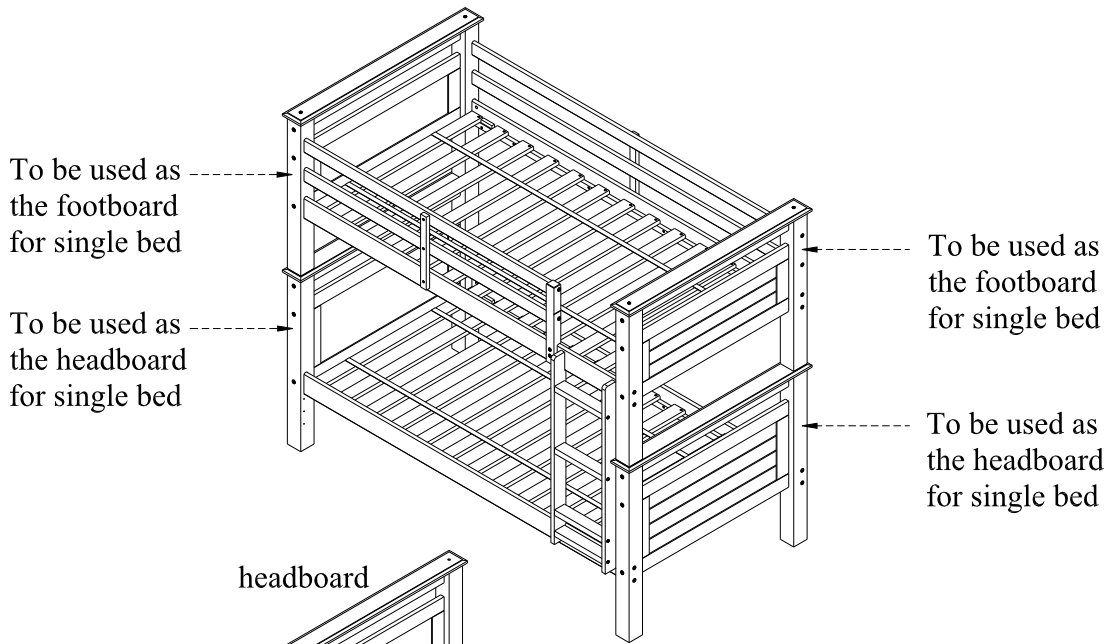
IF YOU NEED ASSISTANCE WITH ASSEMBLY OR REPLACEMENT PARTS, PLEASE CALL LINON CUSTOMER SERVICE, PRIOR TO RETURNING THE ITEM TO THE STORE.

OUR OFFICE IS OPEN MONDAY - FRIDAY 9AM -5PM, EASTERN STANDARD TIME.

OUR TOLL FREE CUSTOMER SERVICE NUMBER IS: 1-800-262-1852.

OR VISIT OUR WEB SITE WWW.LINON.COM TO ORDER REPLACEMENT PARTS AND FOR CARE INSTRUCTIONS ON YOUR NEWLY PURCHASED FURNITURE.

IMPORTANT: PLEASE READ ALL INSTRUCTIONS IN THIS BOOKLET BEFORE STARTING ASSEMBLY. MADE IN VIETNAM. FOR LINON HOME DECOR PRODUCTS INC BY V10.



Remove the ladder and all the guardrails.

With the help of another person, remove the top bunk from the lower bunk.

Disassemble the side rails from all headboards (top and lower bunks).

Re-assemble the headboards (with tall posts) and footboards (with short posts) to side rails.

Note: Switching the headboards will allow the two single beds to be identical (the headboards will have taller posts and the footboards will have the shorter posts).

CERTIFICATE OF COMPLIANCE

The bunk bed that you have purchased is manufactured for Linon Home Décor Products. It is certified by Linon that it meets all U.S. safety standards as outlined by the Consumer Product Safety Act and the applicable regulations for bunk beds. The bunk beds are certified that they have passed all tests for this product.

WHAT IS COVERED

This product is covered under our manufacturer's 6 months limited warranty (Linon Home Décor Products). To ensure your complete satisfaction, this warrants to the original purchaser that the Linon supplied item is free from defects in material and workmanship, as of the date of purchase, and that will, under normal use and proper care, remain so for six months after the date of purchase.

Replacement of missing or initially defective parts will be sent, at no charge, for a period of 30 days from the date of purchase with valid proof of purchase providing the parts are available in our warehouse and the item purchased is part of our current inventory.

WHAT IS NOT COVERED

It remains the customer's responsibility for freight and packaging charges to and from the customer service center. Labor and material charges to remove or replace parts under this warranty are not covered.

This warranty does not cover: Furniture used for commercial purposes, failures caused by improper care, unreasonable or abusive use, freeze damage, acts of God, rust, purchased parts or return freight and packaging charges. Proof of purchase (dated register receipt) is required for warranty claims.

HOW TO OBTAIN SERVICE

For further information, please contact our customer service department, c/o Linon Home Décor Products, Inc., between 9:00 AM and 5:00 PM Eastern Standard Time, Monday through Friday:

LINON HOME DÉCOR PRODUCTS, INC.
CUSTOMER SERVICE DEPARTMENT

Email address: consumersupport@linon.com

Toll free number: 1-800-262-1852 Customer Service

Visit our web site [www. Linon.com](http://www.Linon.com) to order replacement parts and for care instructions on your newly purchased furniture.