

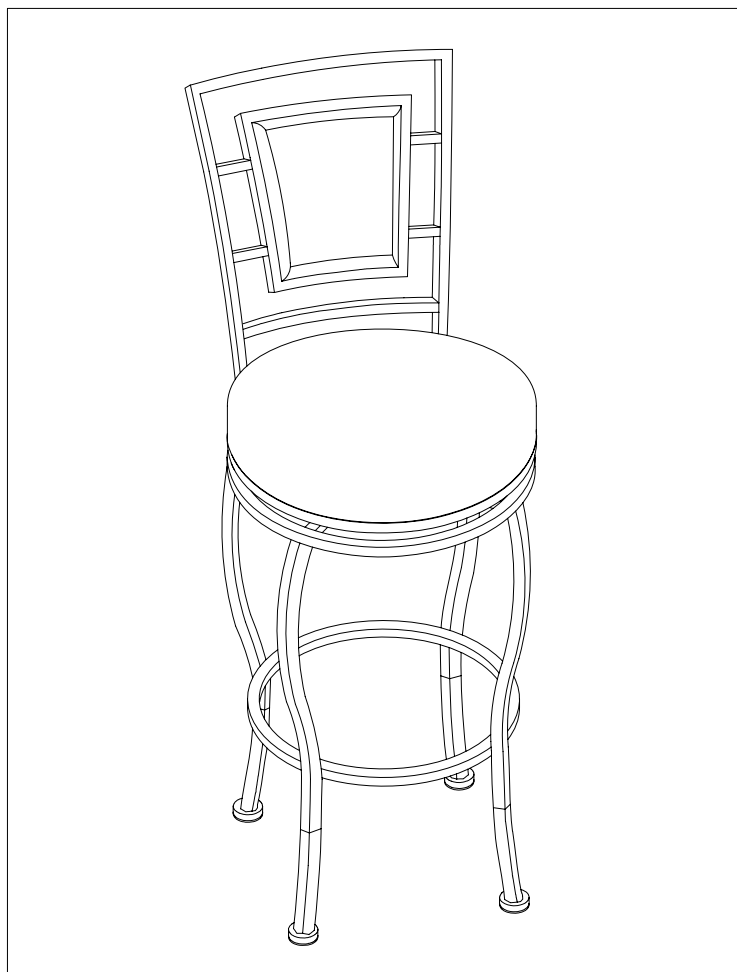


LINON HOME DECOR PRODUCTS, INC.

ASSEMBLY INSTRUCTIONS

TOWNSEND 3PC ADJUSTABLE STOOL SET

98321MTL-01-KD



We are here to help!

We do our best to insure that your furniture arrives in excellent condition. In the event that a part is damaged or missing, Linon Home Decor will be happy to provide you with replacement parts, at no charge, within 30 days of purchase, providing the parts are available in our warehouse and the item purchased is part of our current inventory. In order to receive spare parts, at no charge, you must provide proof of purchase within 30 days.

If you need assistance with assembly or replacement parts, please call Linon Customer Service, prior to returning the item to the store.

Our office is open Monday – Friday 9AM – 5PM, Eastern Standard Time.

Our toll free customer service number is: 1-800-262-1852.

Or visit our web site www.Linon.com to order spare parts and for care instructions on your newly purchased furniture.

MADE IN CHINA

FOR LINON HOME DECOR PRODUCTS INC BY

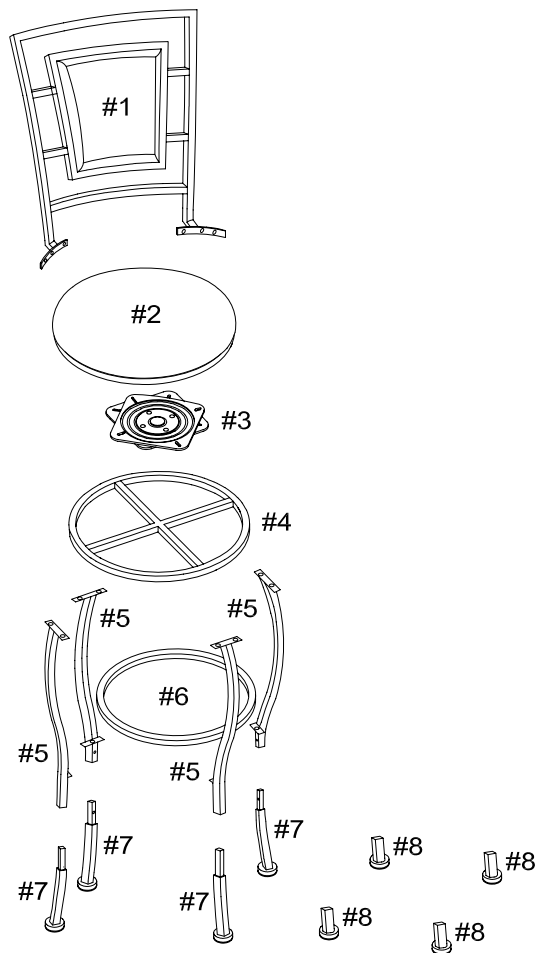
CH170



LINON HOME DECOR PRODUCTS, INC.

PARTS IDENTIFICATION

ITEM	DESCRIPTION	QTY
#1	BACK REST	03
#2	CUSHION ATTACHED TO SEAT FRAME	03
#3	SWIVEL	03
#4	SUPPORT FRAME FOR LEGS	03
#5	LEG	12
#6	FOOT REST	03
#7	EXTENSION LEG WITH FOOT	12
#8	FEET	12



For ease of identification all parts are labeled to correspond to the Step number in which the part is used.

If any parts are missing or damaged in this package, Linon Home Decor will be happy to provide you with replacement parts, at no charge, within 30 days of purchase, providing the parts are available in our warehouse and the item purchased is part of our current inventory. In order to receive spare parts, at no charge, you must provide proof of purchase within 30 days.

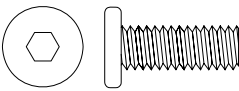
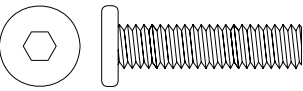
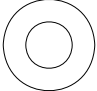

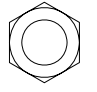

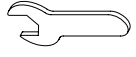
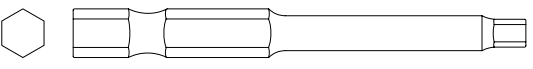
Call us toll free at 1-800-262-1852. Or visit our web site www.Linon.com to order spare parts and for care instructions on your newly purchased furniture.



LINON HOME DECOR PRODUCTS, INC.

HARDWARE IDENTIFICATION

Please line up the hardware with the correct full size image to make sure you are installing the hardware correctly.

ITEM	PICTURE	DESCRIPTION	STOOL (1)	STOOL (2)	STOOL (3)	TOTAL QTY
A	 (Ø1/4"x5/8"L) Full size	SHORT BOLT	24	24	24	72
B	 (Ø1/4"x1"L) Full size	LONG BOLT	06	06	06	18
C	 (Ø1/4") Full size	FLAT WASHER	30	30	30	90
D	 (Ø1/4") Full size	SPRING WASHER	30	30	30	90
E	 (Ø1/4") Full size	NUT	06	06	06	18
F	 (4mm) Not to Scale	ALLEN WRENCH		01		01
G	 Not to Scale	OPEN WRENCH		01		01
H	 HEXAGONAL DRIVE FOR POWER TOOLS			01		01

If any parts are missing or damaged in this package, Linon Home Decor will be happy to provide you with replacement parts, at no charge, within 30 days of purchase, providing the parts are available in our warehouse and the item purchased is part of our current inventory. In order to receive spare parts, at no charge, you must provide proof of purchase within 30 days.

Call us toll free at 1-800-262-1852. Or visit our web site www.Linon.com to order spare parts and for care instructions on your newly purchased furniture.

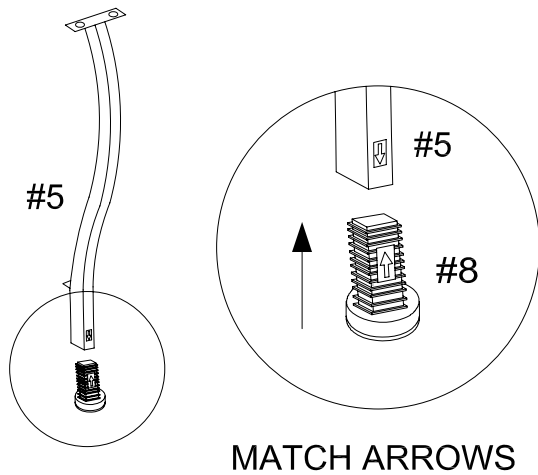


LINON HOME DECOR PRODUCTS, INC.

Step 1. assemble legs. select height bar or counter.

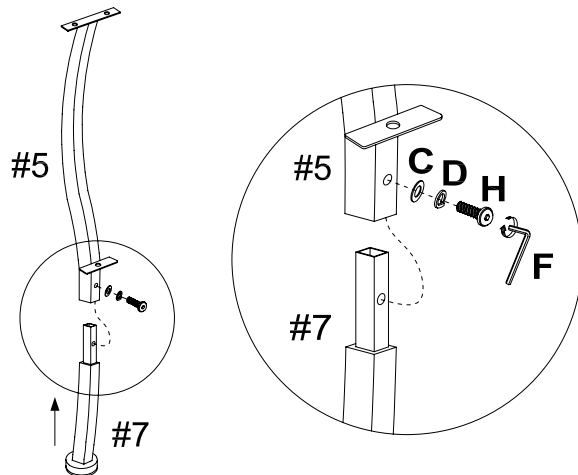
1-1

for counter height use parts #5,#8.

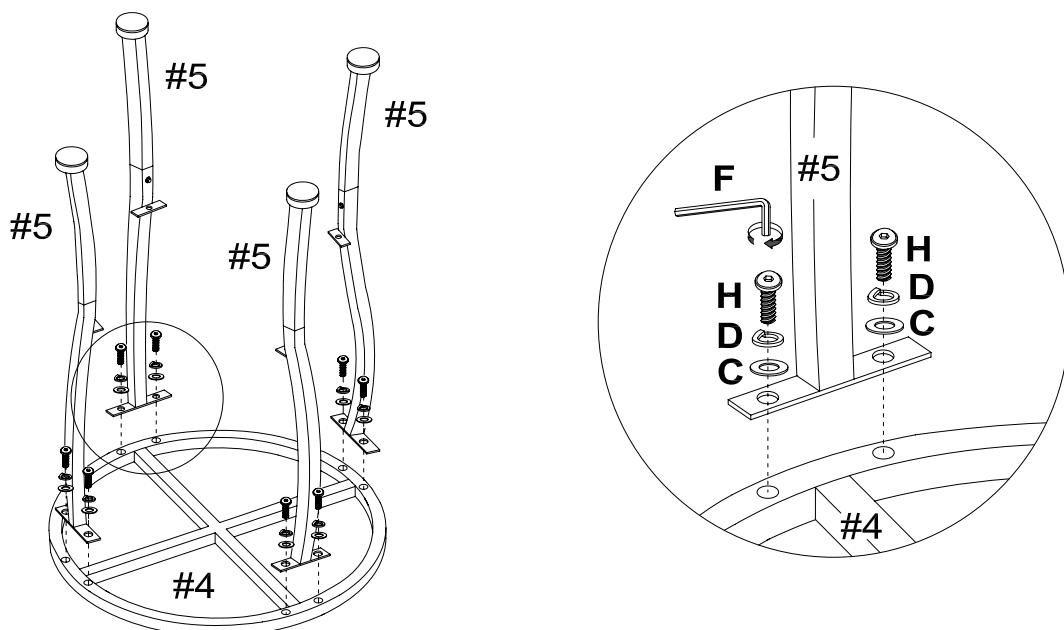


1-2

for bar height use parts #5,#7.



Step 2. install support frame.



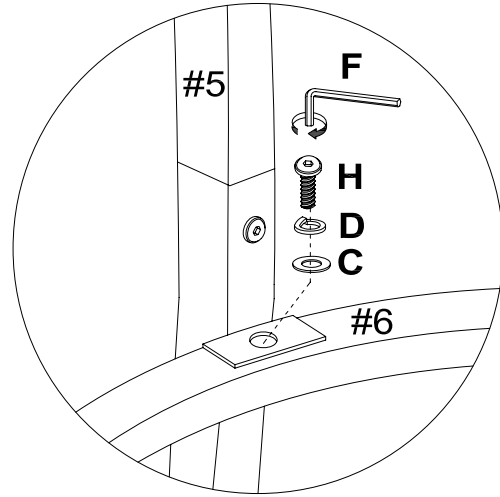
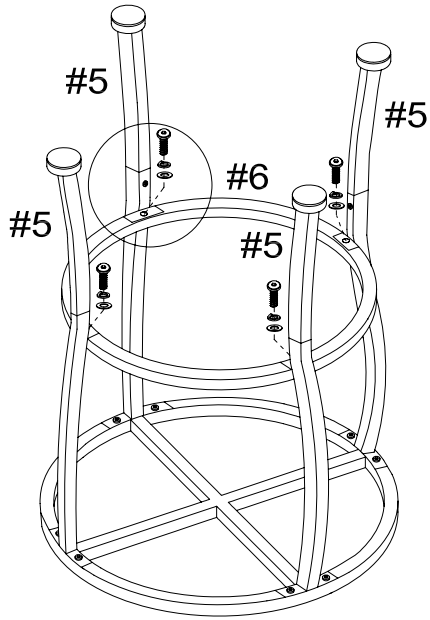
IMPORTANT:

1. DO NOT TIGHTEN BOLTS COMPLETELY UNTIL ALL BOLTS ARE COMPLETELY LINED UP AND INSERTED INTO HOLES / NUTS.
2. DO NOT OVER TIGHTEN SCREWS AND BOLTS TO AVOID STRIPPING.

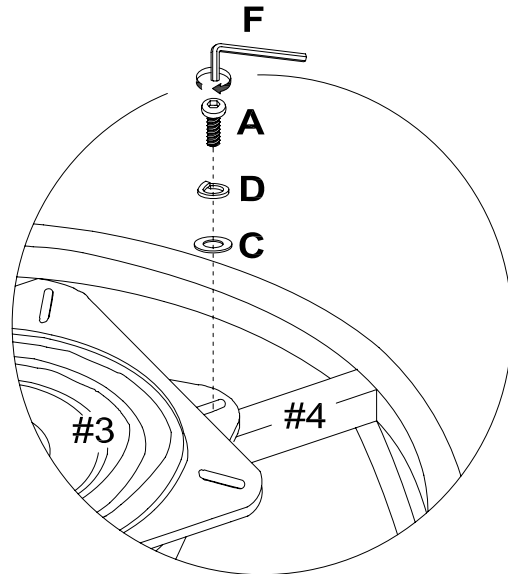
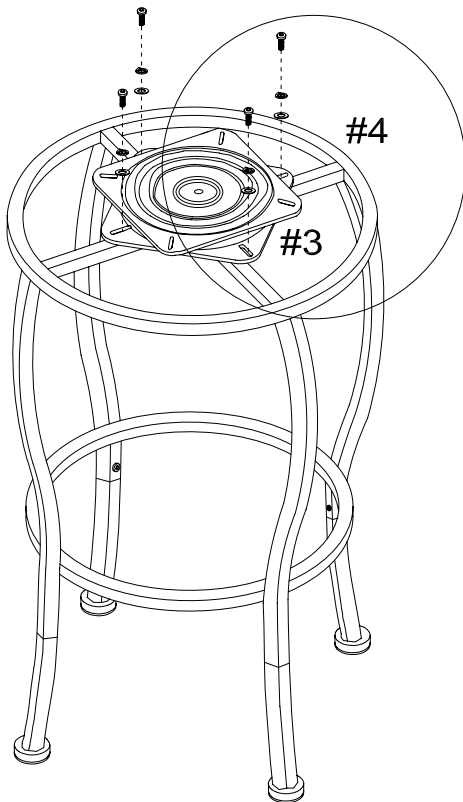


LINON HOME DECOR PRODUCTS, INC.

Step 3. install foot rest.



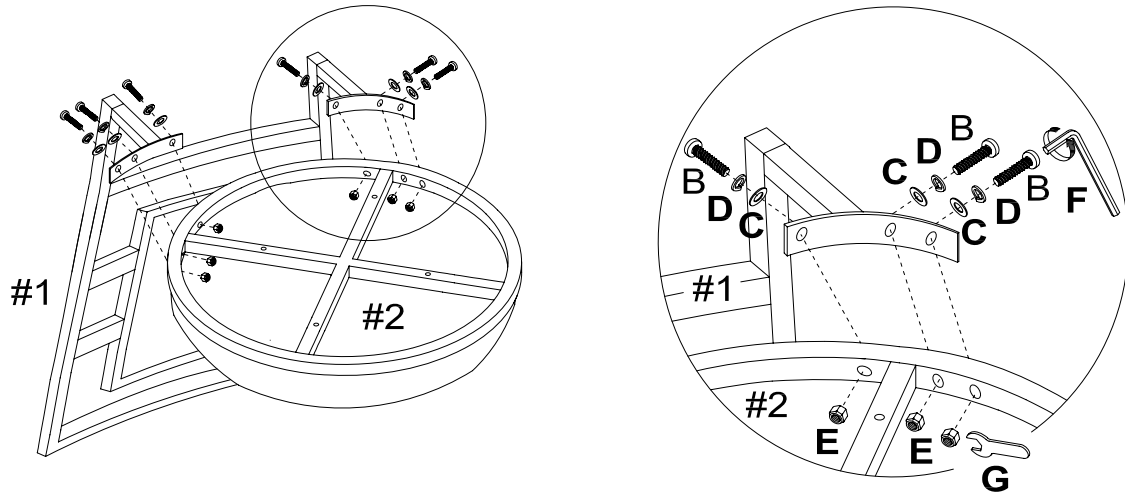
Step 4. install swivel.



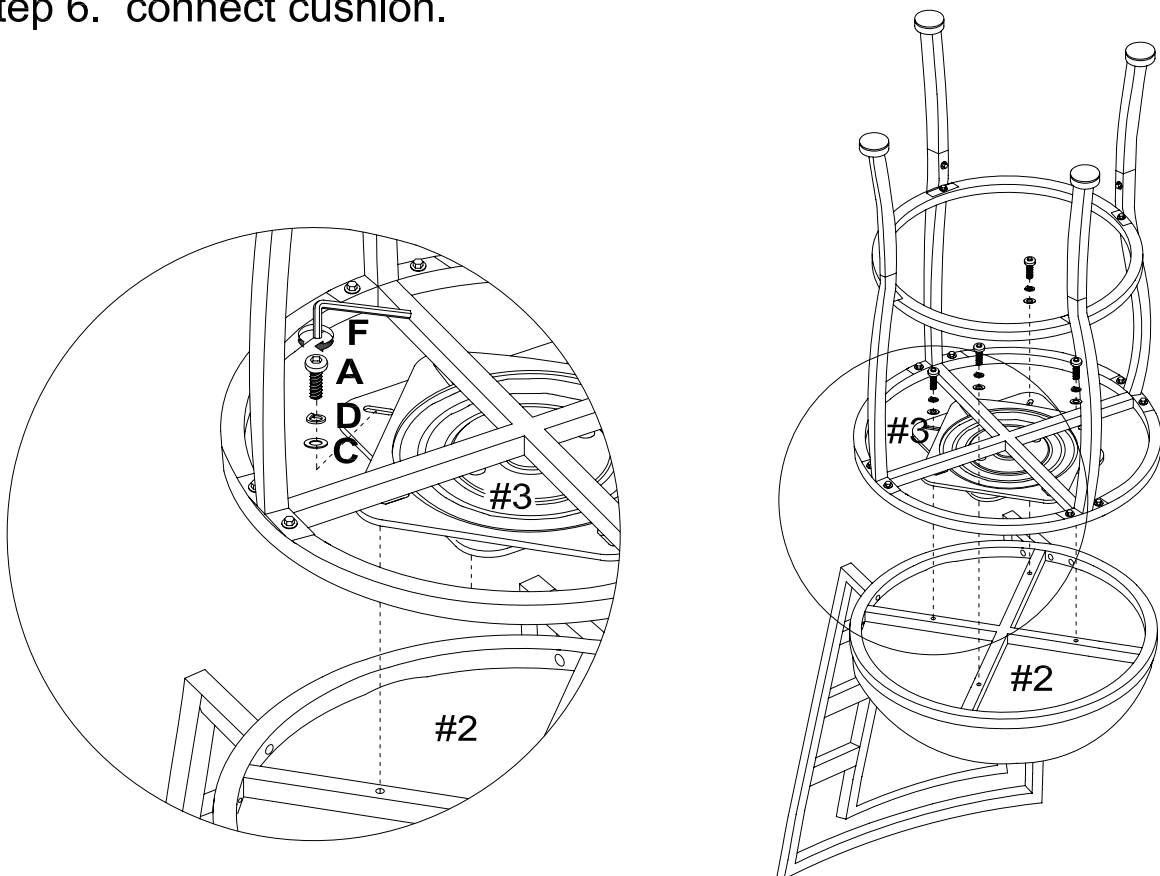


LINON HOME DECOR PRODUCTS, INC.

Step 5. attach back rest.



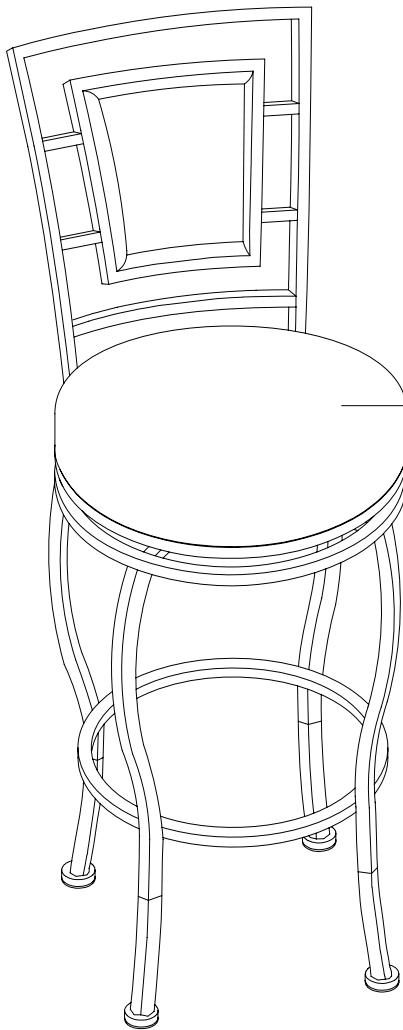
Step 6. connect cushion.





LINON HOME DECOR PRODUCTS, INC.

Step 7.



Weight Limit 275LBS



LINON HOME DECOR PRODUCTS, INC.

WHAT IS COVERED

This product is covered under our manufacturer's 6 months limited warranty (Linon Home Décor Products). To ensure your complete satisfaction, this warrants to the original purchaser that the Linon supplied item is free from defects in material and workmanship, as of the date of purchase, and that it will, under normal use and proper care, remain so for six months after the date of purchase.

Replacement of missing or initially defective parts will be sent, at no charge, for a period of 30 days from the date of purchase with valid proof of purchase providing the parts are available in our warehouse and the item purchased is part of our current inventory.

WHAT IS NOT COVERED

It remains the customer's responsibility for freight and packaging charges to and from the customer service center. Labor and material charges to remove or replace parts under this warranty are not covered.

ae, acts of God, rust, purchased parts or return freight and packaging charges. Proof of purchase (dated register receipt) is required for warranty claims.

LINON HOME DÉCOR PRODUCTS, INC.,
CUSTOMER SERVICE DEPARTMENT

- 1) Email address: consumersupport@linon.com
- 2) Toll free number : 1 - 800 - 262 - 1852
- 3) Visit our web site www.Linon.com to order spare parts and for care instructions on your newly purchased furniture.