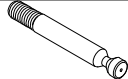
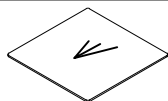

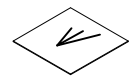
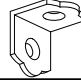
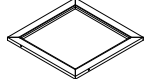

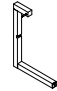
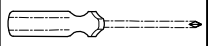
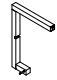



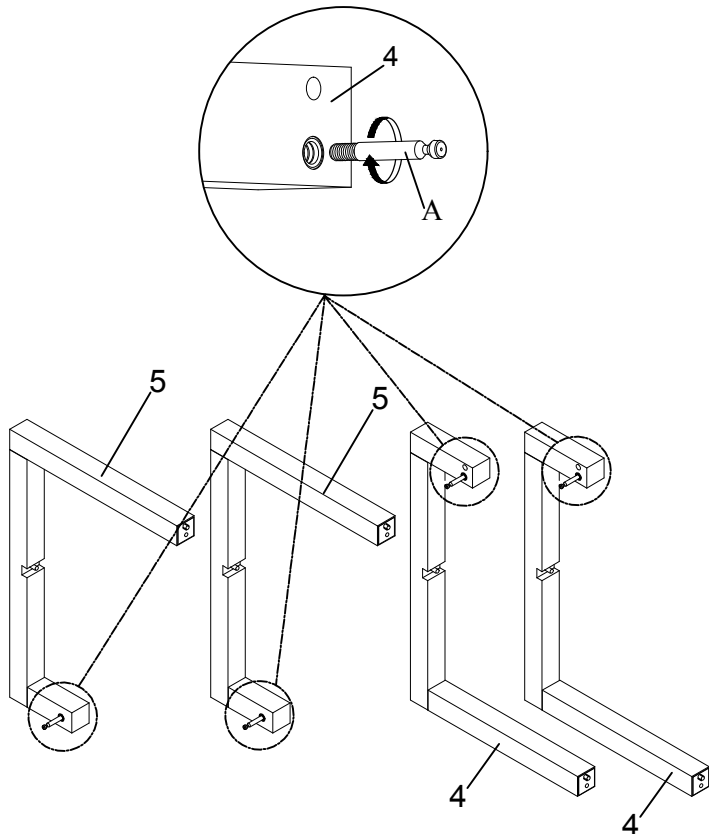
ITEM# :130-OT1020

DESCRIPTION: SQUARE END TABLE

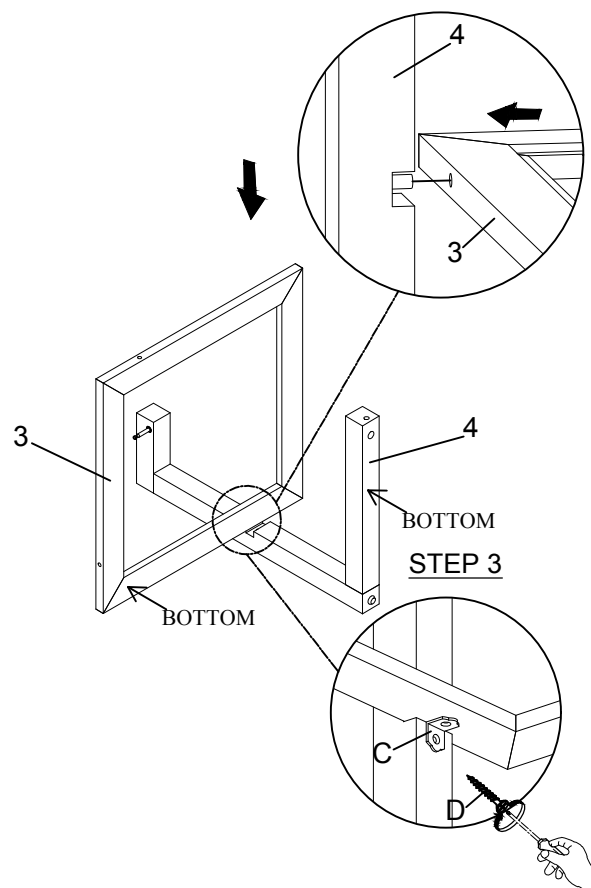
Thank you for purchasing this quality product. Be sure to check all packing material carefully for small parts, which may have come loose inside the carton during shipment. Identify and count all parts and compare with the parts list below.

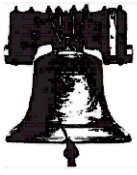
HARDWARE LIST				PARTS LIST			
NO	DRAWING	DESCRIPTION	QTY	NO	DRAWING	DESCRIPTION	QTY
A		Bolt	4	1		Top Glass	1
B		Latch	4	2		Shelf Glass	1
C		L-Bracket	4	3		Shelf Frame	1
D		Wood Screws #8*15mm	8	4		Leg 1	2
E		Phillip Screwdriver (not Provided)	1	5		Leg 2	2
F		Pad (For Replacement)	4				

STEP 1



STEP 2

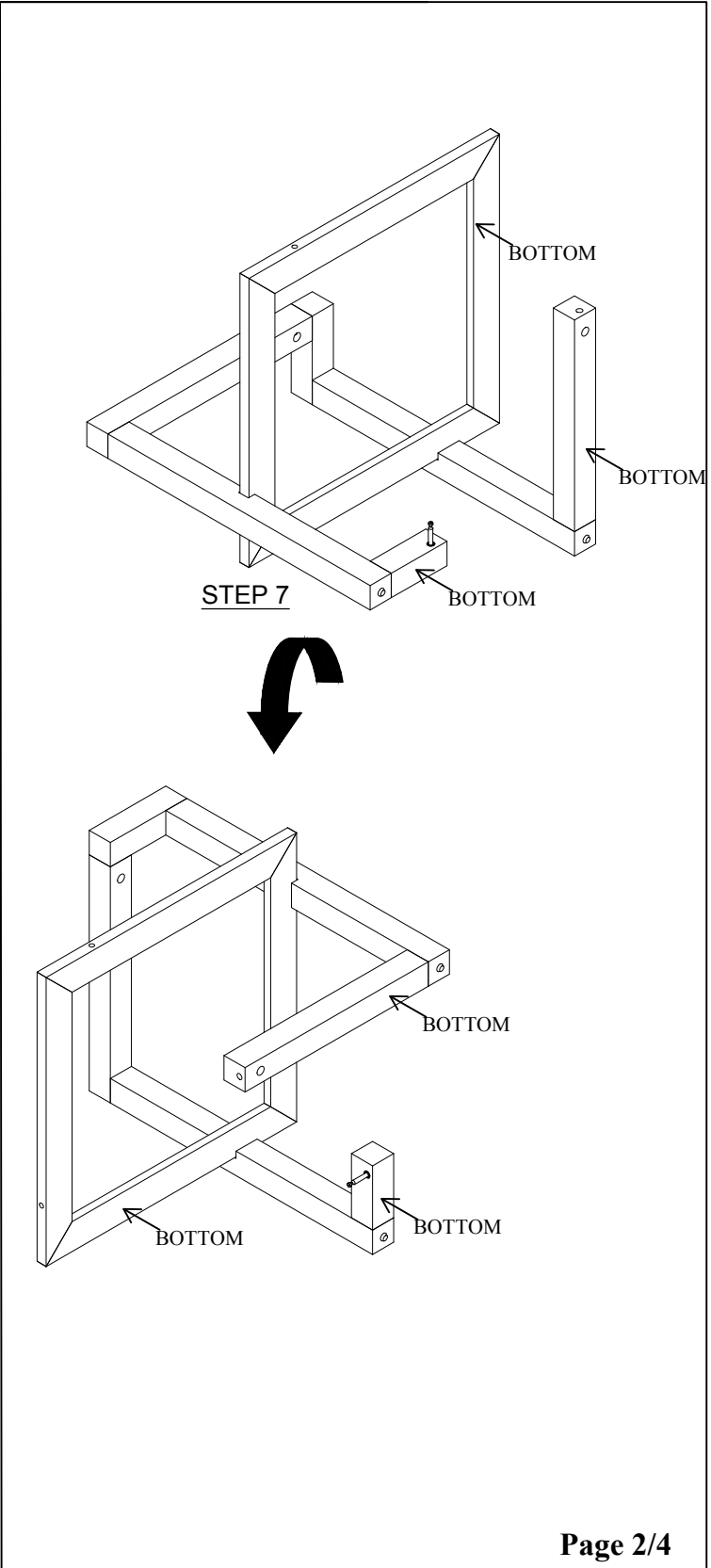
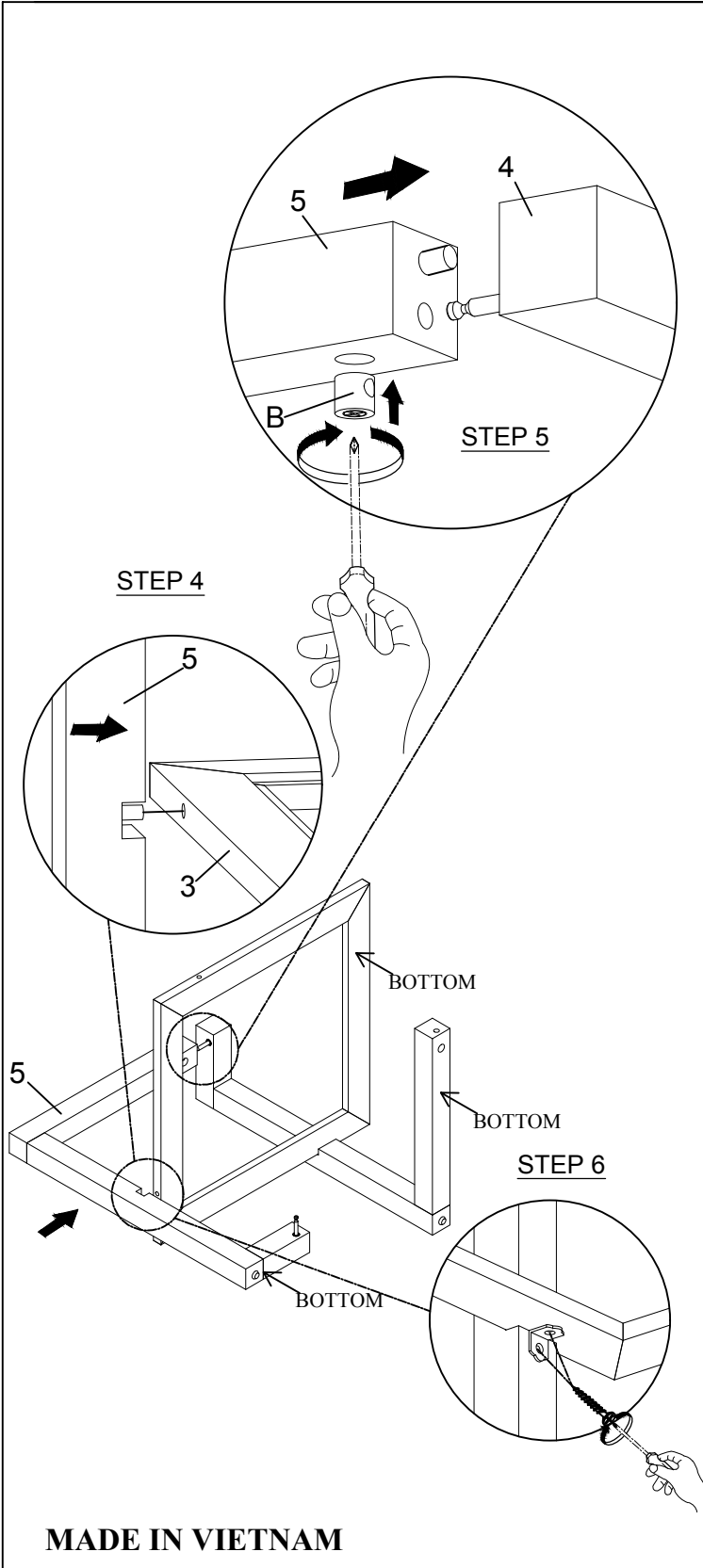


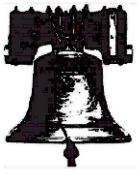


ITEM# :130-OT1020

DESCRIPTION: SQUARE END TABLE

Thank you for purchasing this quality product. Be sure to check all packing material carefully for small parts, which may have come loose inside the carton during shipment. Identify and count all parts and compare with the parts list below.

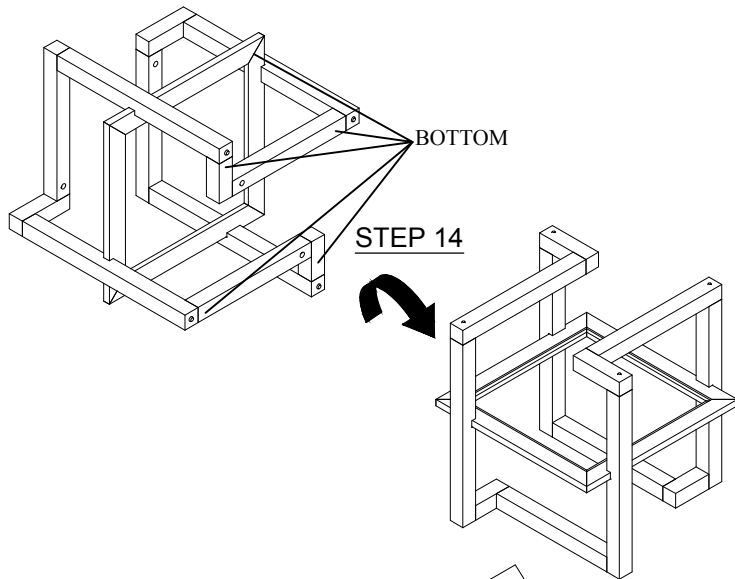




ITEM# :130-OT1020

DESCRIPTION: SQUARE END TABLE

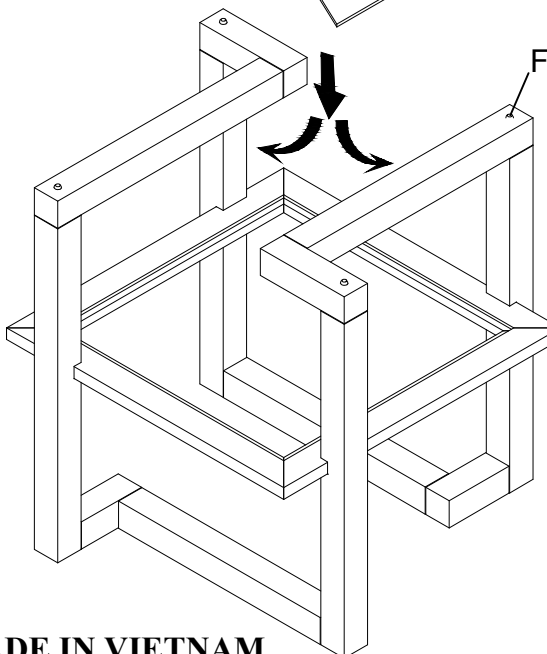
Thank you for purchasing this quality product. Be sure to check all packing material carefully for small parts, which may have come loose inside the carton during shipment. Identify and count all parts and compare with the parts list below.



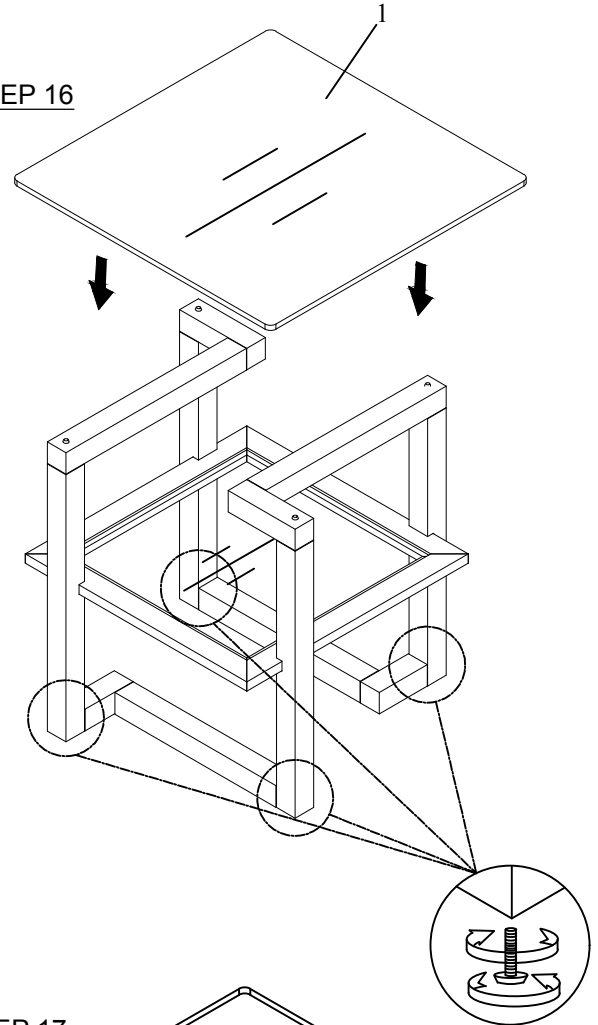
STEP 14

2

STEP 15



STEP 16



STEP 17

