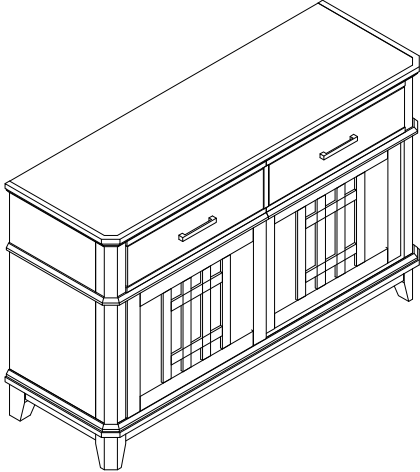
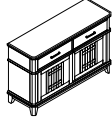



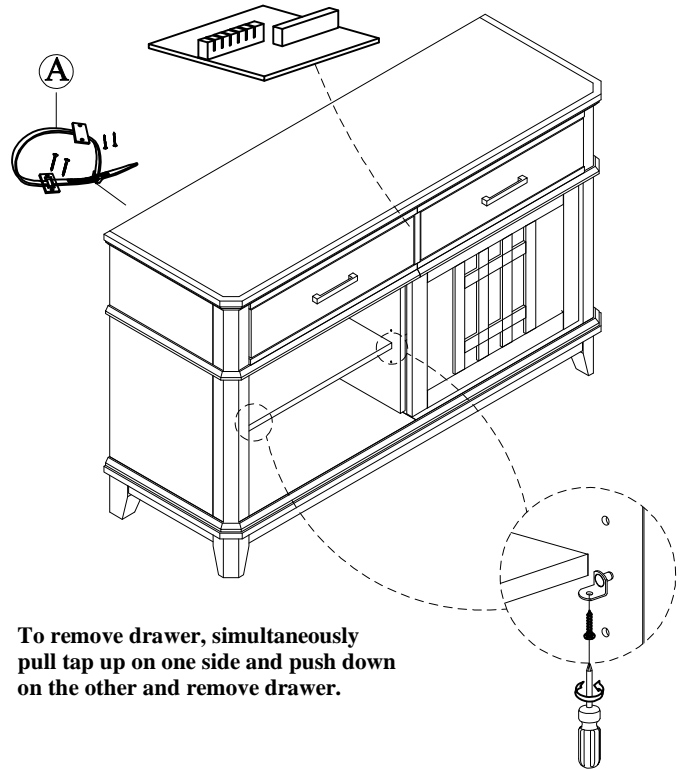
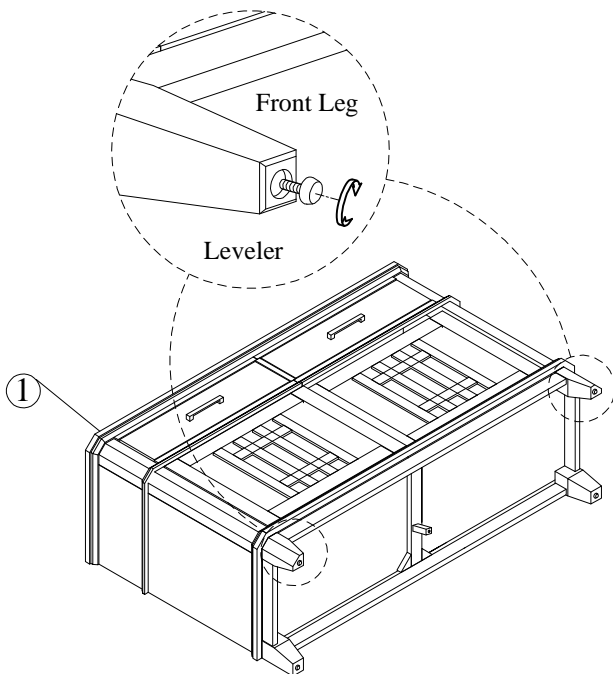


ITEM#: 227-SR5436

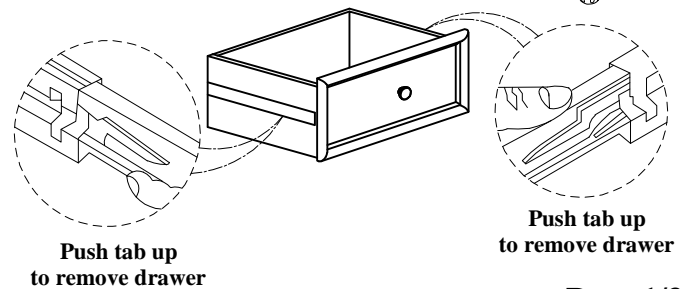
DESCRIPTION: SERVER

Thank you for purchasing this quality product. Be sure to check all packing material carefully for small parts, which may have come loose inside the carton during shipment. Identify and count all parts and compare with the parts list below.

	PARTS LIST			
	NO	DRAWING	DESCRIPTION	QTY
	1	Server		1
	HARDWARE LIST			
	NO	DRAWING	DESCRIPTION	QTY
	A	Tipping Restraint		1 Set



To remove drawer, simultaneously pull tap up on one side and push down on the other and remove drawer.

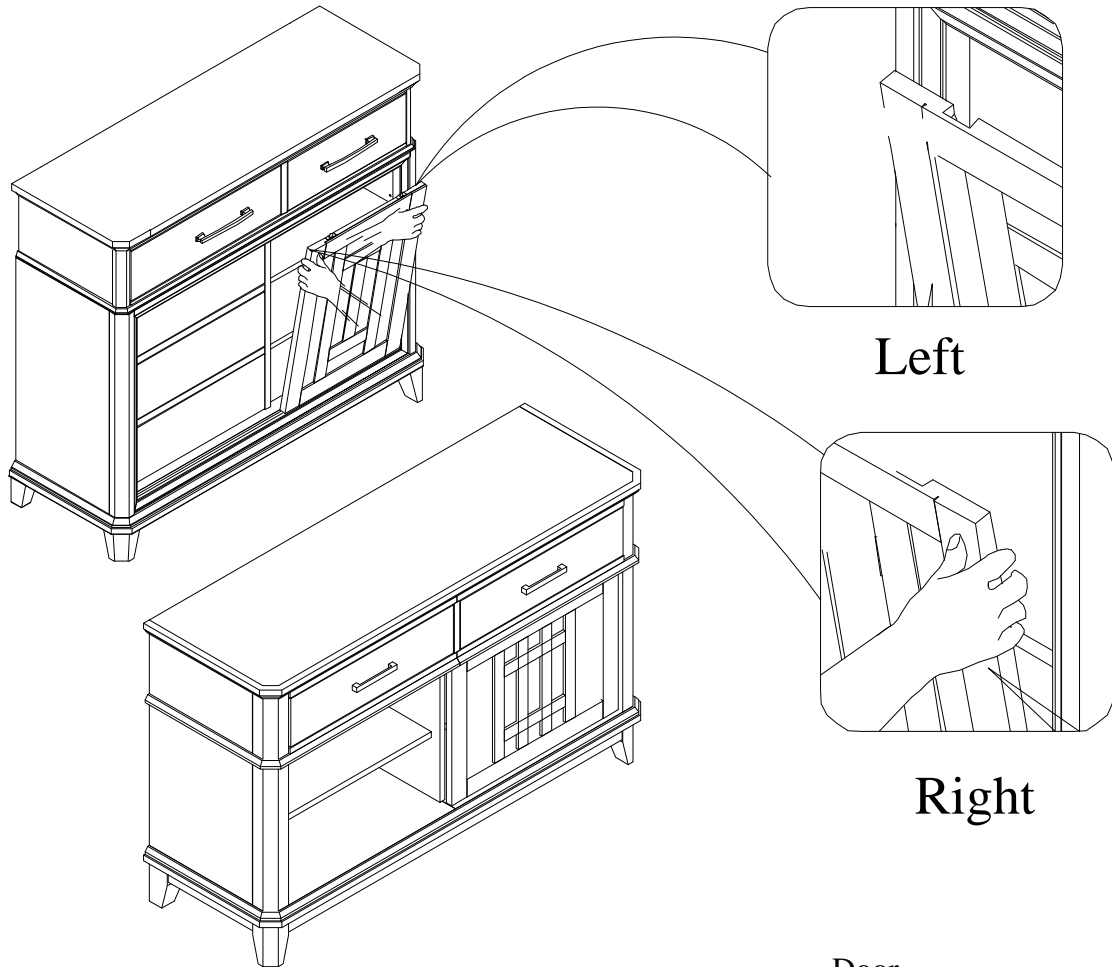




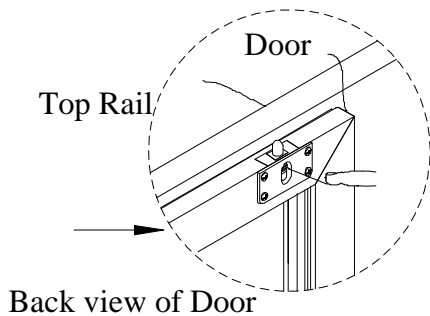
ITEM#: 227-SR5436

DESCRIPTION: SERVER

Thank you for purchasing this quality product. Be sure to check all packing material carefully for small parts, which may have come loose inside the carton during shipment. Identify and count all parts and compare with the parts list below.

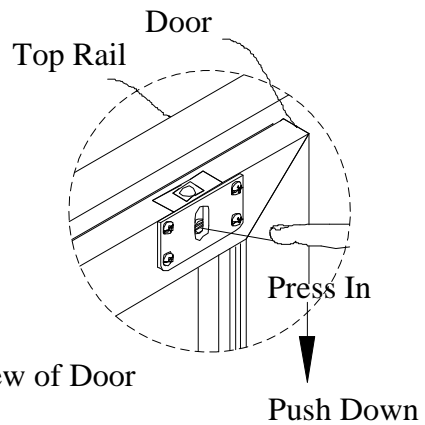


TO REMOVE THE SLIDING DOOR FROM THE CASE, PLEASE FOLLOW BELOW STEPS



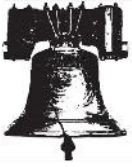
Back view of Door

STEP 1: Use your forefingers to press in the buttons at the side of the Latches so that the Latches go up into the U-Track.



Back view of Door

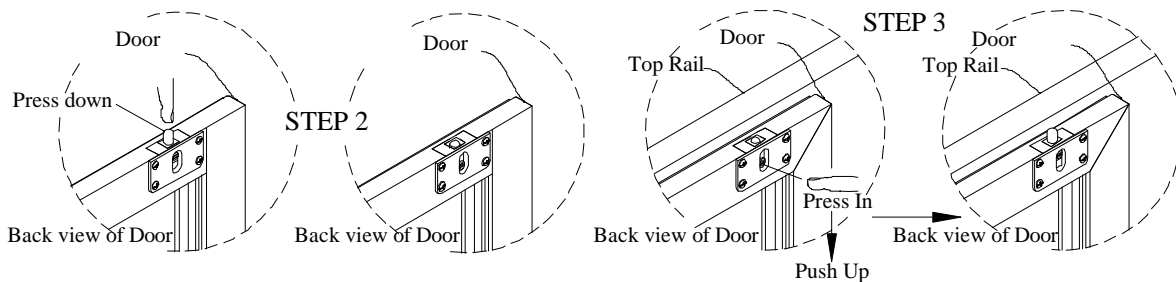
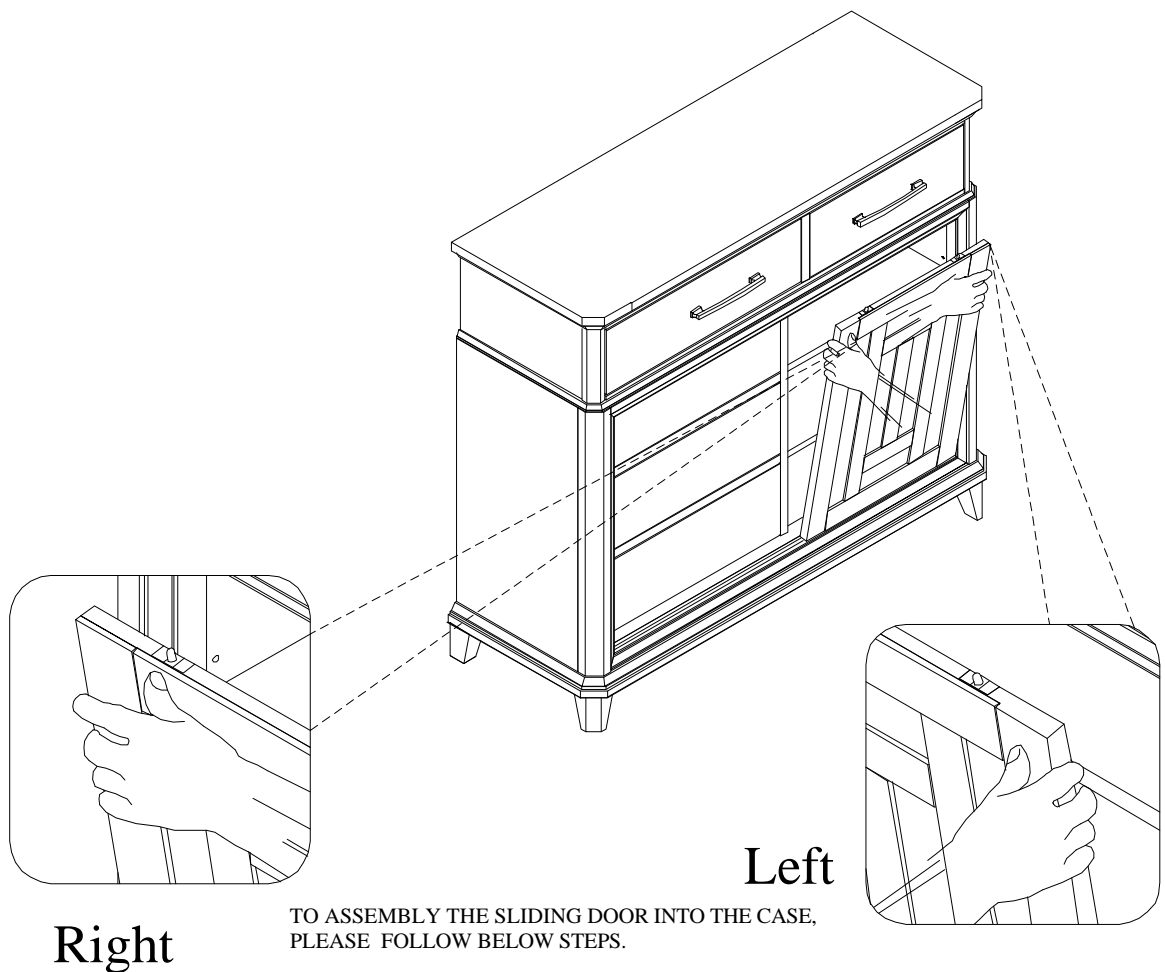
STEP 2: Press down the top latches of door. If the latches are at lower position already, please take out the door.



ITEM#: 227-SR5436

DESCRIPTION: SERVER

Thank you for purchasing this quality product. Be sure to check all packing material carefully for small parts, which may have come loose inside the carton during shipment. Identify and count all parts and compare with the parts list below.



STEP 2: Press down the top latches of door. If the latches are at lower position already, please go to Step 3.

STEP 3: Use your forefingers to press in the buttons at the side of the Latches so that the Latches go up into the U-Track.