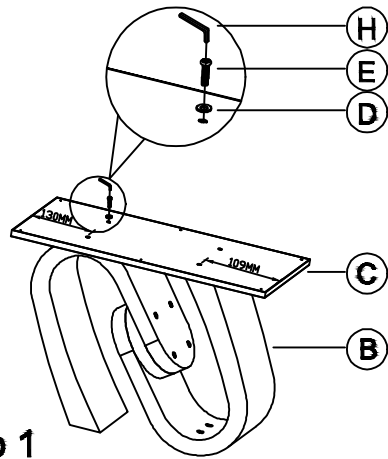


# ASSEMBLY INSTRUCTION

Model: T4126NEN/T4127NEN

Description: END TABLE

Thank you for purchasing this quality product space. Be sure to check all packing material carefully for small parts that may have come loose inside the carton during shipment.



## Step 1

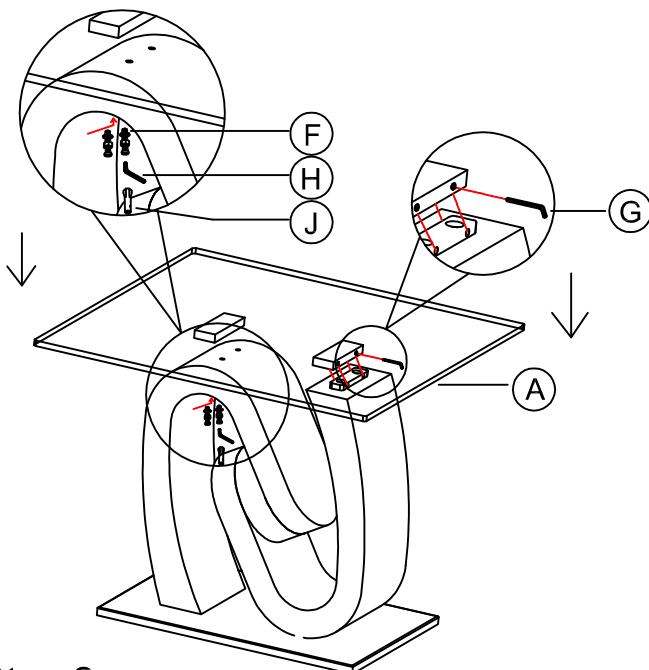
Attach the bottom plate to the pedestal

### PART LIST:

NO.	Description	Diagram	Quantity
A	Table glass top		1
B	Table column		1
C	Table base		1

### HARDWARE LIST:

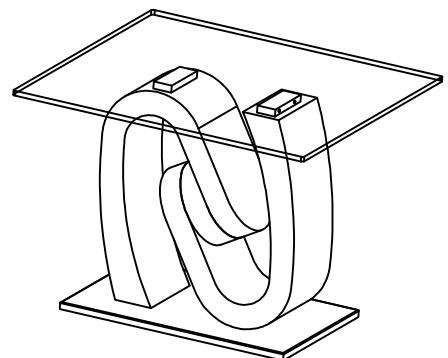
NO.	Description	Diagram	Quantity
D	Flat washer $\phi 20 \times T 2.0 \text{mm}$		4
E	Bolt M8×30mm		4
F	Bolt/Nut/ Flat washer M8×55mm/M8/ $\phi 20 \times T 2.0 \text{mm}$		2
G	Allen key 3#		1
H	Allen key 5#		1
J	Socket wrench 14#		1



## Step 2

Put the glass top on the pedestal and screw the glass top to pedestal

Finished



Made In China