

ASSEMBLY INSTRUCTION

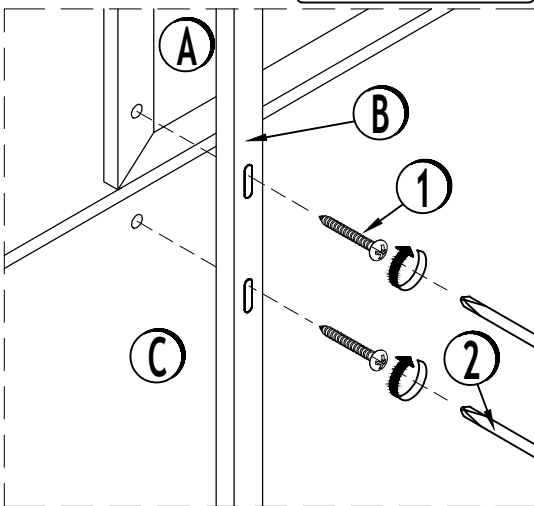
MODEL NO:
LINWOOD-MR
LINWOOD-DR

DESCRIPTION:
LINWOOD MIRROR
LINWOOD DRESSER

Thank you for purchasing this quality product. Be sure to check all packing material carefully for small parts that may have come loose inside the carton during shipment.

STEP 1

BACK VIEW



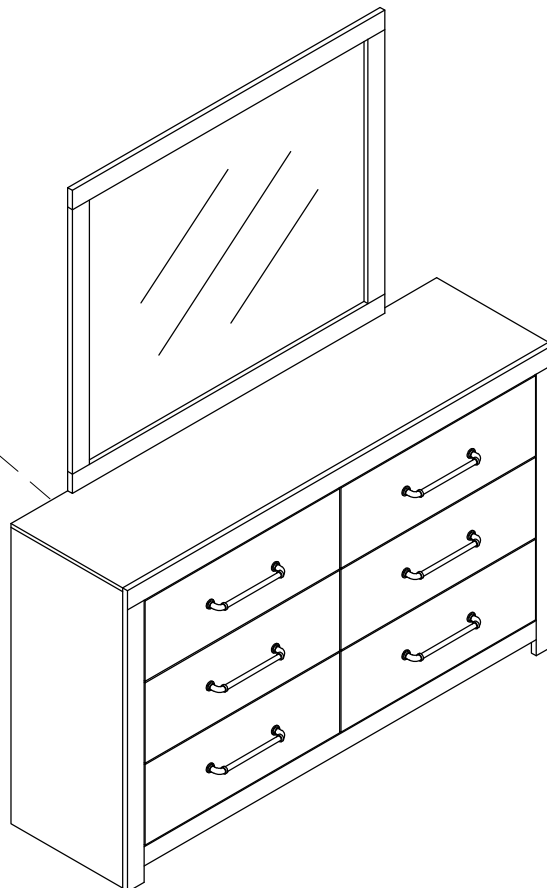
PART LIST :

ITEM	DRAWING	DESCRIPTION	QTY
A		MIRROR	1
B		MIRROR SUPPORT	2
C		DRESSER	1

HARDWARE LIST :

ITEM	DRAWING	DESCRIPTION	QTY
1		PAN HEAD SCREW (M4 x 32mm)	8
2		SCREW DRIVER*	1

*The manufacturer does not provide item 2.



COMPLETED MIRROR

NOTE : MUST TIGHTEN SCREWS PERIODICALLY. WITH USE SCREW MAY BECOME LOOSE. CHECK TIGHTNESS OF ALL SCREWS EVERY 6-8 WEEKS.

CLEANING INSTRUCTION :

AFTER ASSEMBLE, CLEAN & POLISH THE COMPLETED PARTS IF NECESSARY WITH SOFT CLOTH AND INDUSTRIAL RECOGNIZED FURNITURE POLISH.