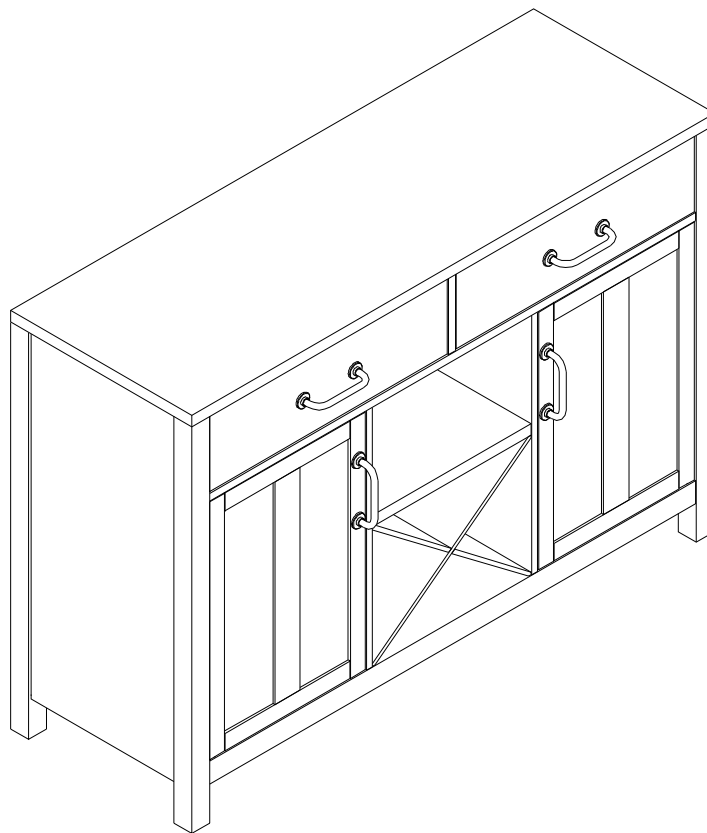




## Roots Buffet

CF4202



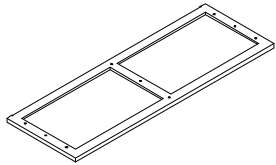
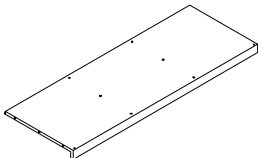
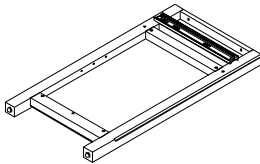
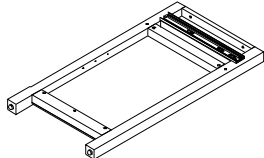
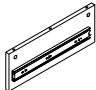
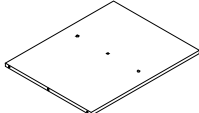
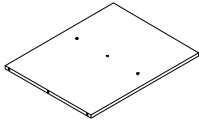
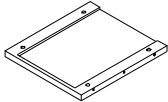
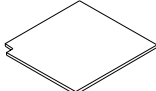
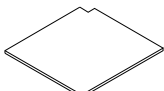
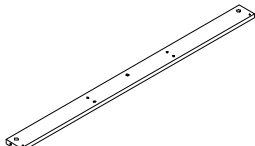
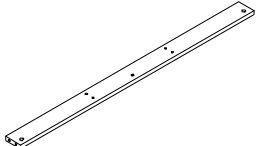
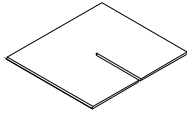
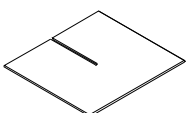
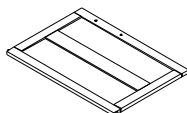
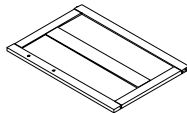
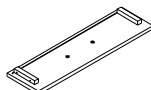



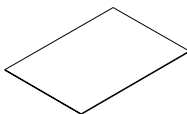
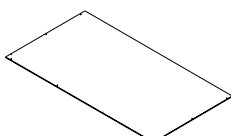
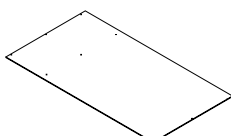



Congratulations! You have purchased a stylish piece of Crosley Furniture. We strived to provide fine furniture products, built with quality materials and hand finished details. Please carefully follow the assembly instructions to ensure your furniture is assembled correctly to provide long lasting enjoyment.


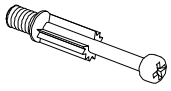
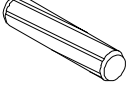

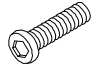
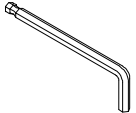
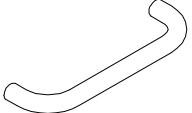

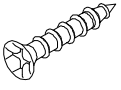
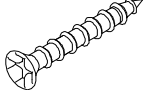
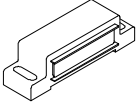
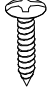
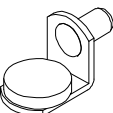

Should you experience any missing or damaged parts, **do not return to the store.** Please visit our website [www.Crosleyfurniture.com](http://www.Crosleyfurniture.com), or contact us directly at 800-815-4796.

**Care:** Use a soft clean cloth that will not scratch the surface when dusting. Use of furniture polish is not necessary. Should you choose to use polishes, test in an inconspicuous area first. Use of solvents of any kind may damage your furniture's finish. To clean, simply use a soft clean cloth moistened with lukewarm water, then buff with a dry soft clean cloth.

# PART LIST

			
Top Panel	Bottom Panel	Left Side Panel	Right Side Panel
1	1pc	2	1pc
			
Upper Partition Panel	Left Partition Panel	Right Partition Panel	Fixed Shelf
5	1pc	6	1pc
			
Left Adjustable shelf	Right Adjustable shelf	Front Rail	Back Rail
9	1pc	10	1pc
			
Left Wine Holder Shelf	Right Wine Holder Shelf	Left Door	Right Door
13	1pc	14	1pc
			
Drawer Front Panel	Drawer Left Side Panel	Drawer Right Side Panel	Drawer Back Panel
17	2pcs	18	2pcs
			
Drawer Bottom Panel	Side Back Panel	Middle Back Panel	Center Support Legs
21	2pcs	22	2pcs
		23	1pc
		24	2pcs

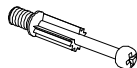
# HARDWARE LIST

			
Cam Lock Ø15*12mm	Cam Bolt Ø6*42mm	Wood Dowel Ø8*30mm	Long Hex Socket Head Bolt Ø6*35mm
<b>A</b>	<b>B</b>	<b>C</b>	<b>D</b>
<b>14pcs</b>	<b>14pcs</b>	<b>21pcs</b>	<b>8pcs</b>
			
Short Hex Socket Head Bolt Ø6*28mm	Allen Key 4mm	Handle	Handle Washer
<b>E</b>	<b>F</b>	<b>G</b>	<b>H</b>
<b>8pcs</b>	<b>1pc</b>	<b>4pcs</b>	<b>8pcs</b>
			
Short Flat Head Screw Ø3.5*25mm	Long Flat Head Screw Ø3.5*32mm	Magnet L45*H12mm	Round Head Screw Ø3*15mm
<b>I</b>	<b>J</b>	<b>K</b>	<b>L</b>
<b>16pcs</b>	<b>2pcs</b>	<b>2pcs</b>	<b>31pcs</b>
			
Shelf Holder Ø6.5mm	Safety Strap Kit		
<b>M</b>	<b>N</b>		
<b>8pcs</b>	<b>1pc</b>		

## EXTRA HARDWARE LIST



A X 2



B X 2



C X 2



I X 2



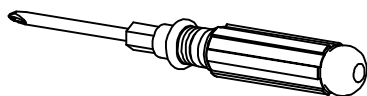
L X 2



X 2

## ADDITIONAL TOOLS ( Not Provided)

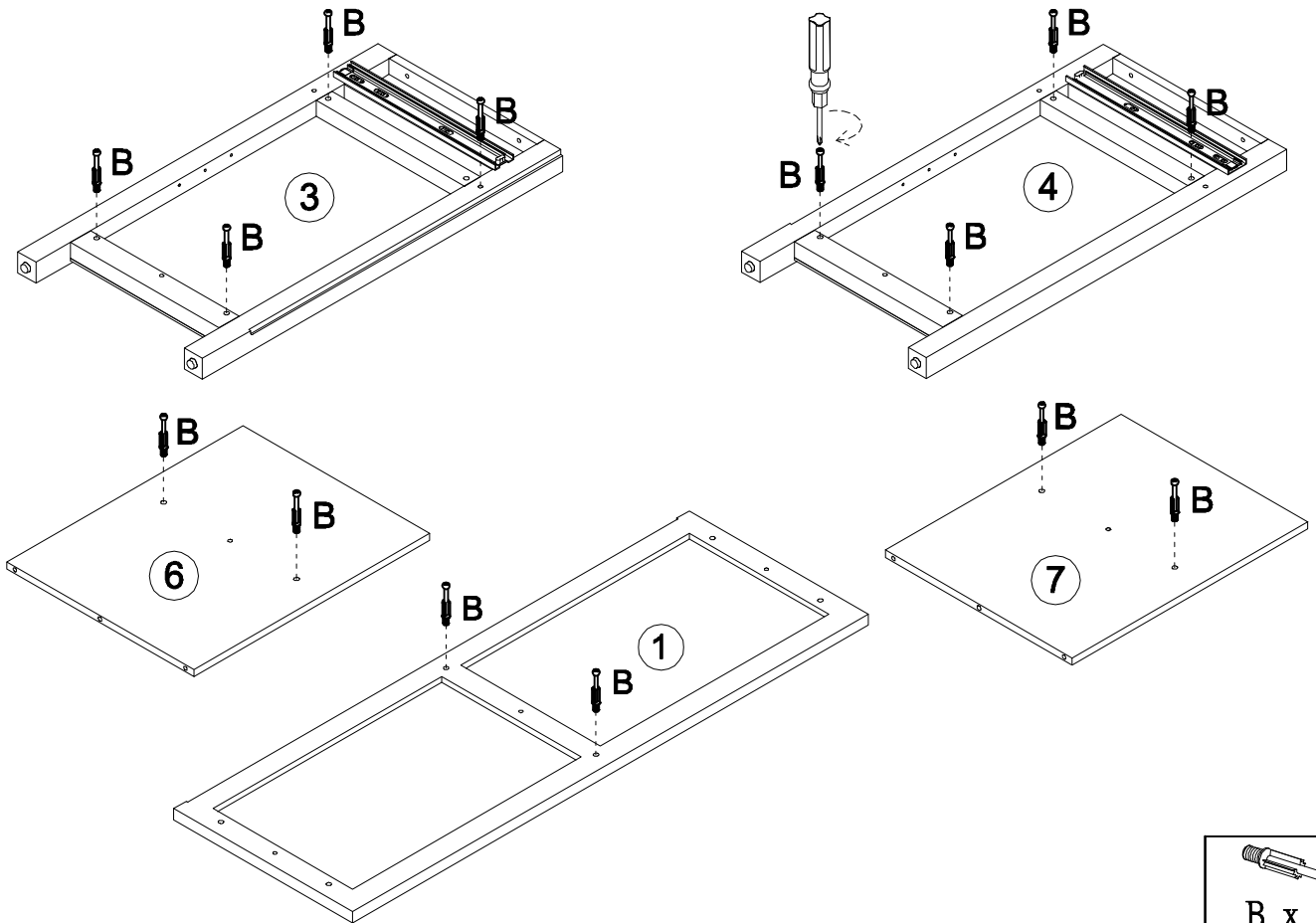
**Note: It is not recommended to use power tools during assembly. You may use power tools to assist in mounting the safety strap kit to the wall.**



Phillips Head Screw Driver

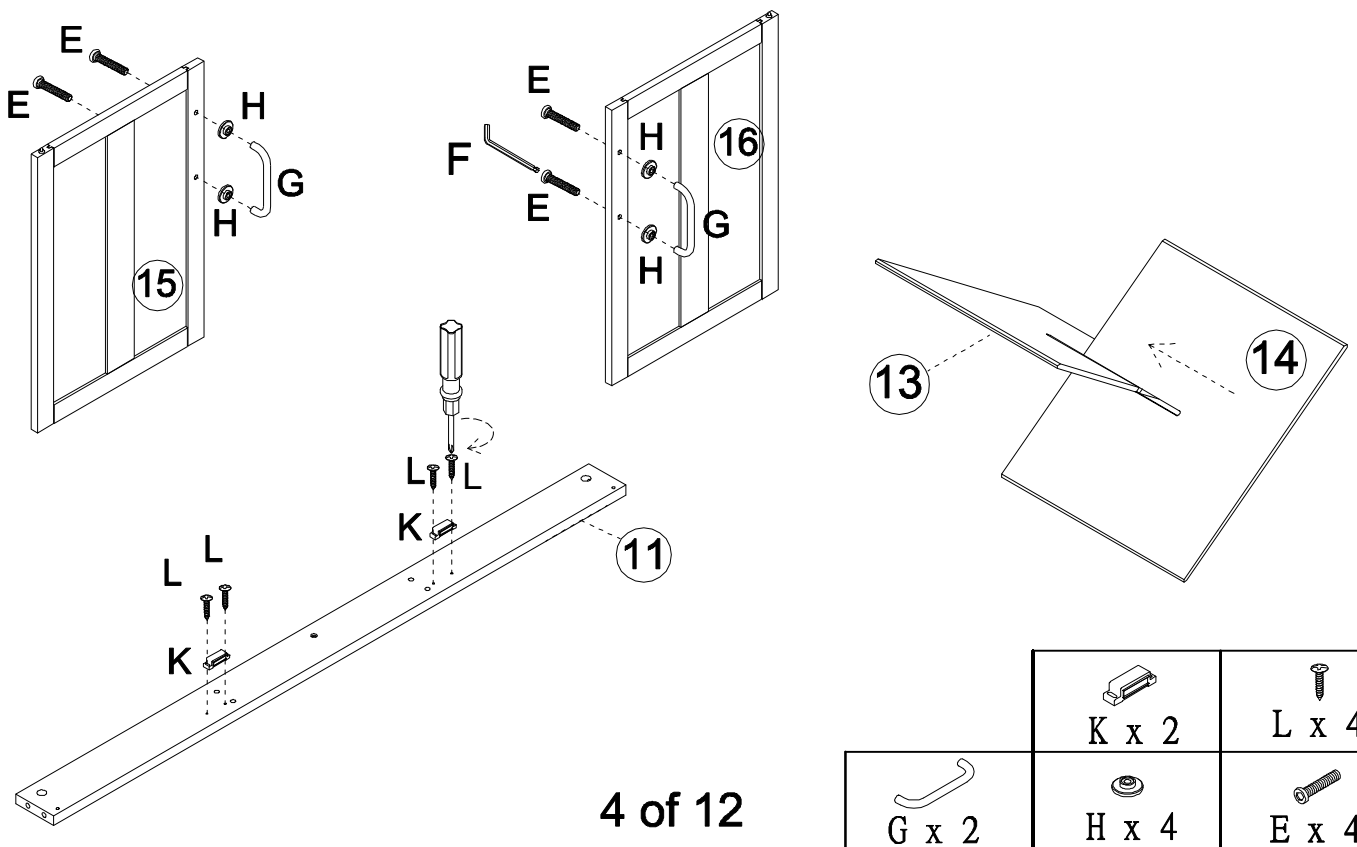
**IMPORTANT NOTE: WE RECOMMEND TWO PEOPLE WORK TOGETHER TO ASSEMBLE THE PRODUCT**


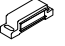




**Step 1.** Insert Cam Bolts (B) into pre-drilled holes of parts 1,3,4,6,7 using a Phillips head screw driver as shown. Do not over tighten.



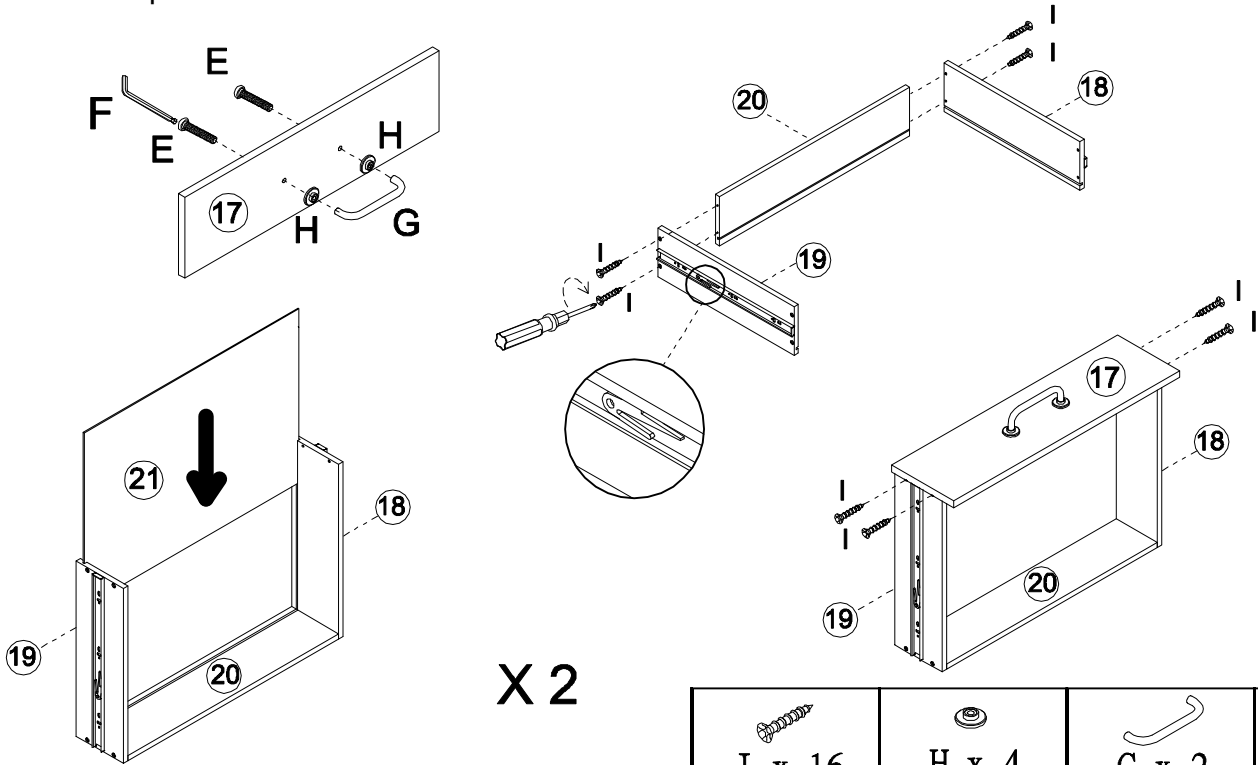
**Step 2.** Attach Handle Washers (H) and Handles (G) to Doors (15 & 16) using Short Hex Socket Head Bolts (E) and Allen Key (F).

Attach Magnets (K) to Front Rail (11) using Round Head Screws (L) as shown. Insert Right Wine Holder Shelf (14) to Left Holder Shelf (13) as shown.



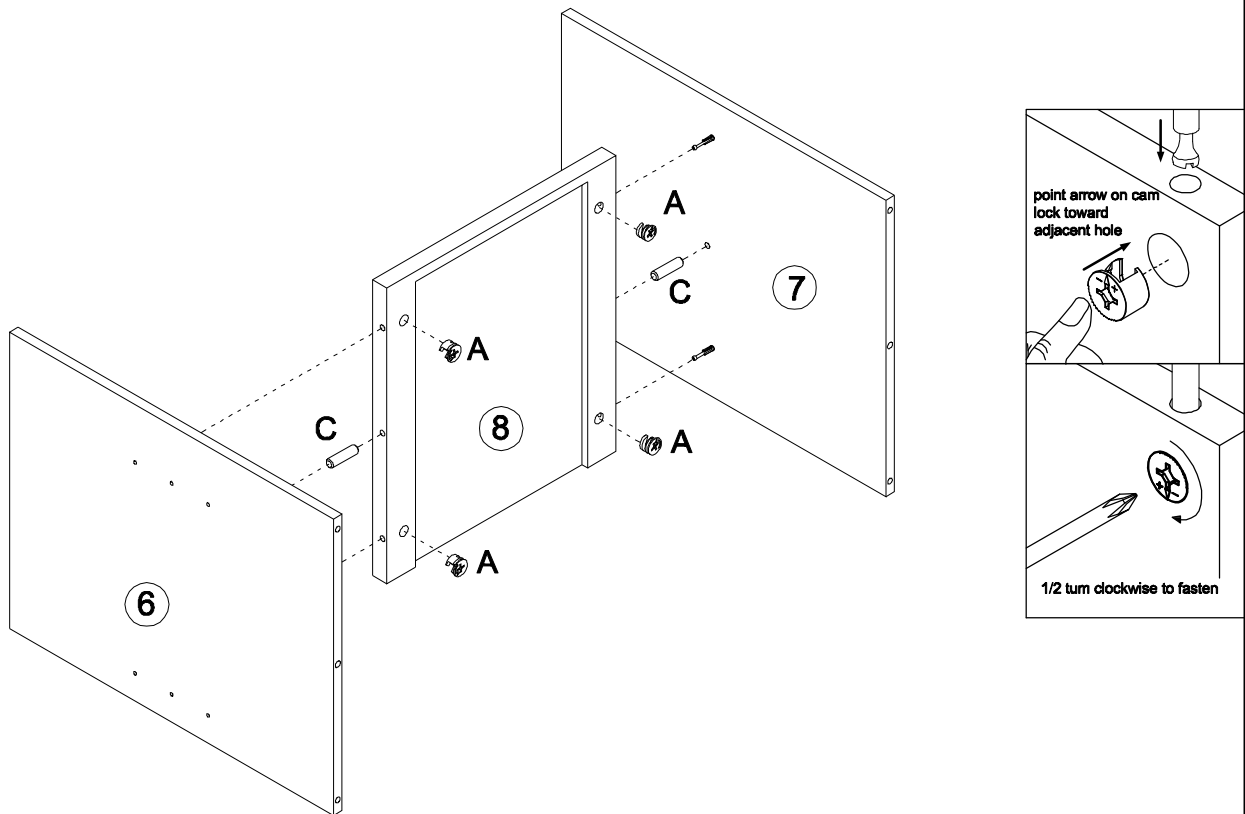
	G x 2		H x 4		L x 4
	E x 4		K x 2		L x 4

**Step 3.** Attach Handle Washers (H) and Handles (G) to Drawer Front Panel (17) using Short Hex Socket Head Bolts (E) and Allen Key (F).  
 Attach Drawer Back Panel (20) to Drawer Side Panels (18 & 19) using Short Flat Head Screws (I).  
**NOTE: be sure that drawer slide joint are facing outward.**  
 Slide Drawer Bottom Panel (21) into grooves of Drawer Side Panels (18 & 19). Attach Drawer Front Panel (17) to Drawer Side Panels (18 & 19) using Short Flat Head Screws (I).  
 Repeat for second drawer.



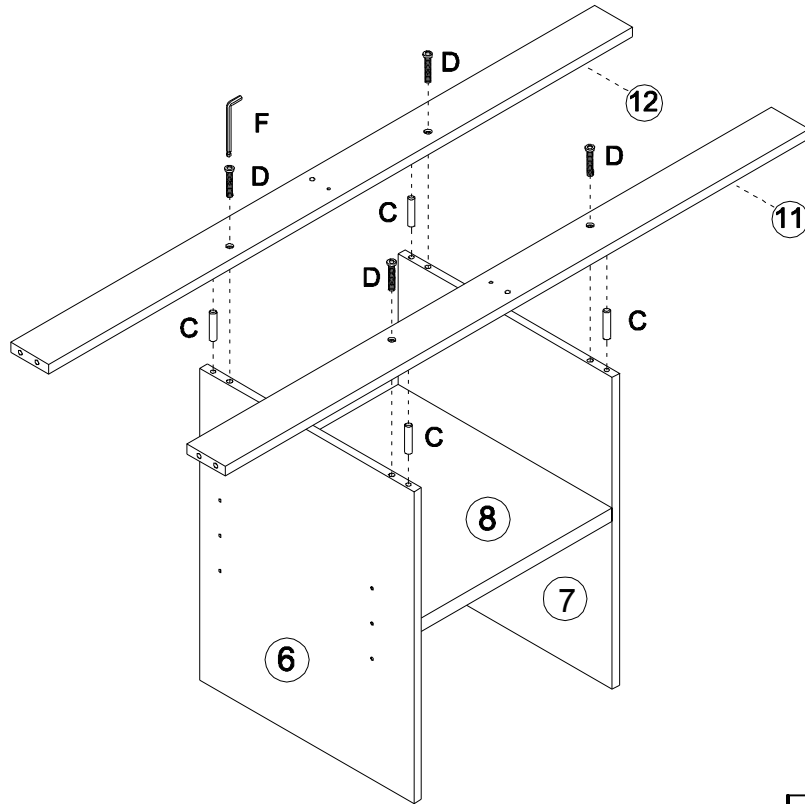
I x 16	E x 4	H x 4	G x 2



**Step 4.** Attach Partition Panels (6 & 7) to Fixed Shelf (8) using Wood Dowels (C) and Cam Locks (A) as shown.



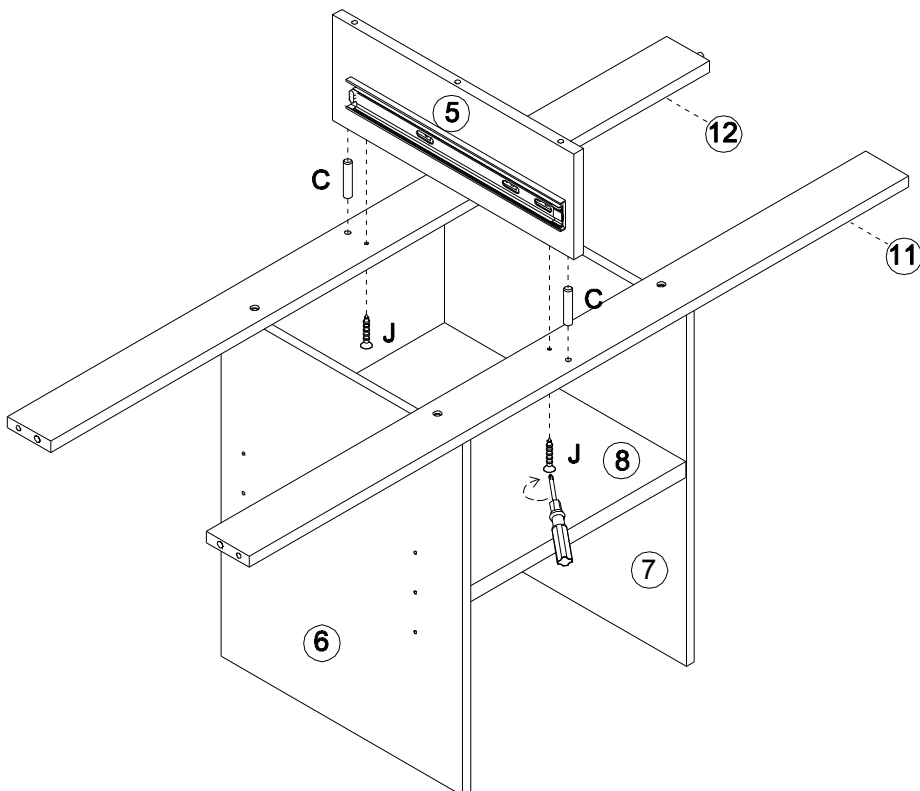
A x 4	C x 2



**Step 5.** Attach Front Rail (11) and Back Rail (12) to assembled parts (6,7& 8 ) using Wood Dowels (C) Long Hex Socket Head Bolts (D) and Allen Key (F) as shown.



	
C x 4	D x 4

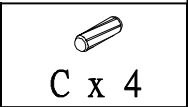
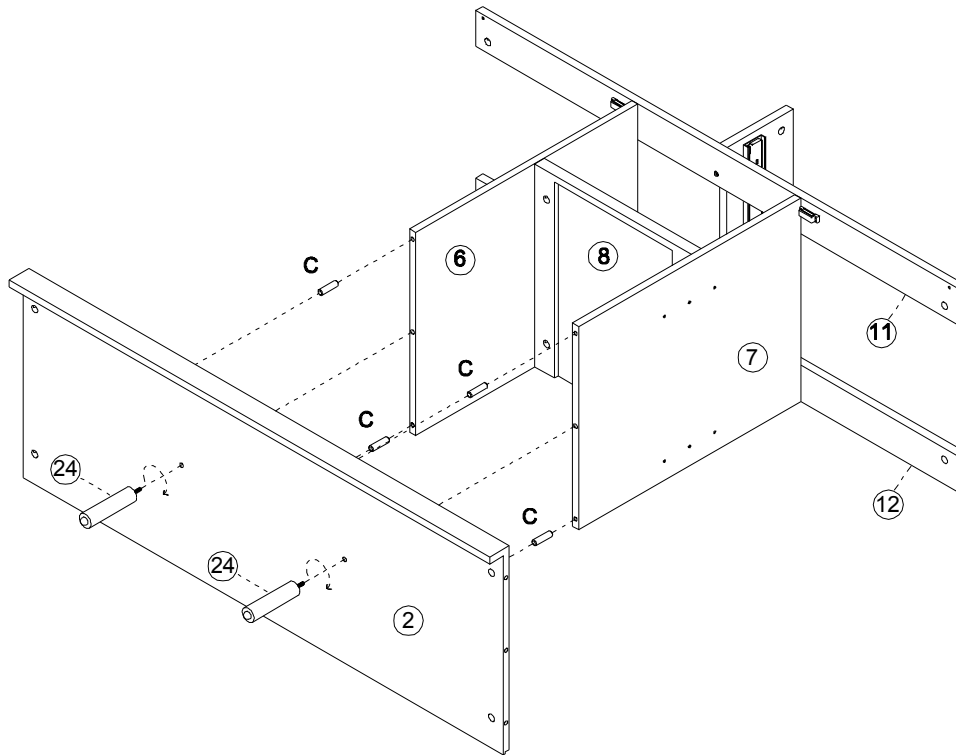
**Step 6.** Attach Upper Partition Panel (5) to Rails (11&12) using Wood Dowels (C) and Long Flat Head Screws (J) as shown.



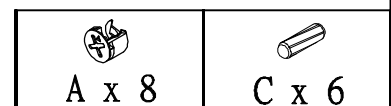
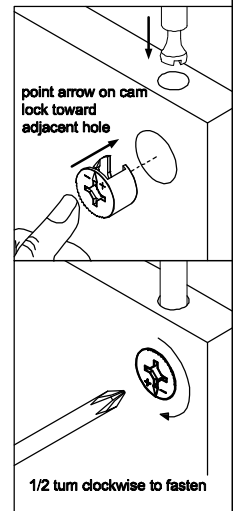
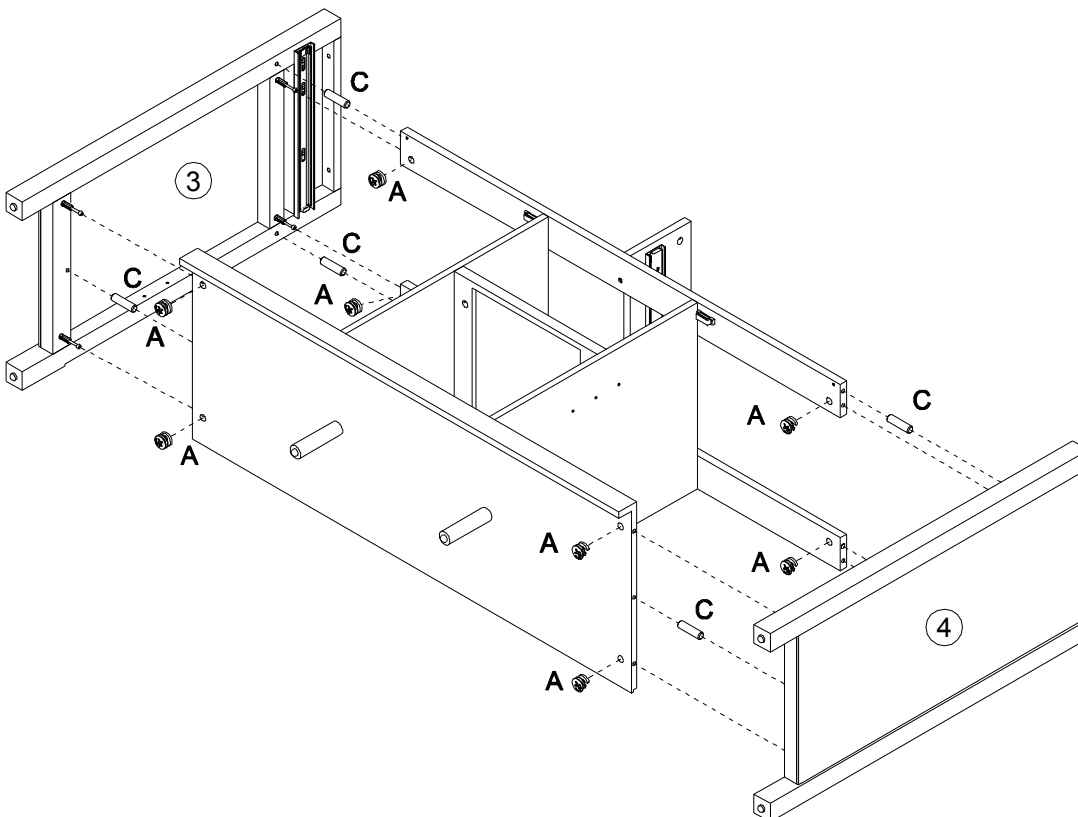
	
C x 2	J x 2

**Step 7.** Turn assembled parts ( 6,7,8,11&12) with the side face down. Attach Bottom Panel (2) using Wood Dowels (C) . Attach Center Support Legs (24) by turning clockwise into the pre-drilled holes as shown.

**Note:** The adjustable leveler on the bottom of the Center Support Legs (24) should not be extended until after installation .Adjust the leveler on the bottom of the Center Support Legs (24) until it fits tightly against the floor .Use of the support leg is important to support the center of the cabinet .

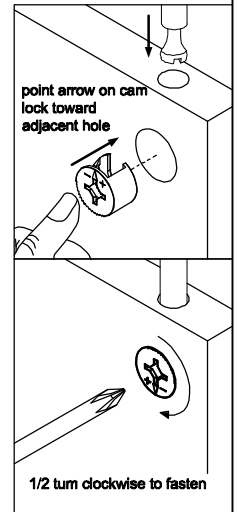
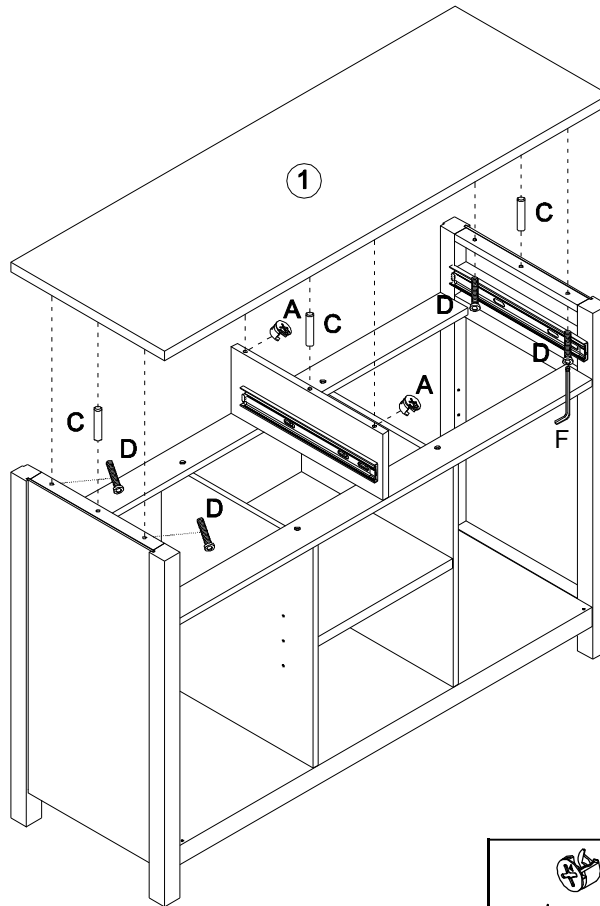





**Step 8.** Attach Left Side Panel (3) and Right Side Panel (4) using Wood Dowels (C) and Cam Locks (A) as shown.



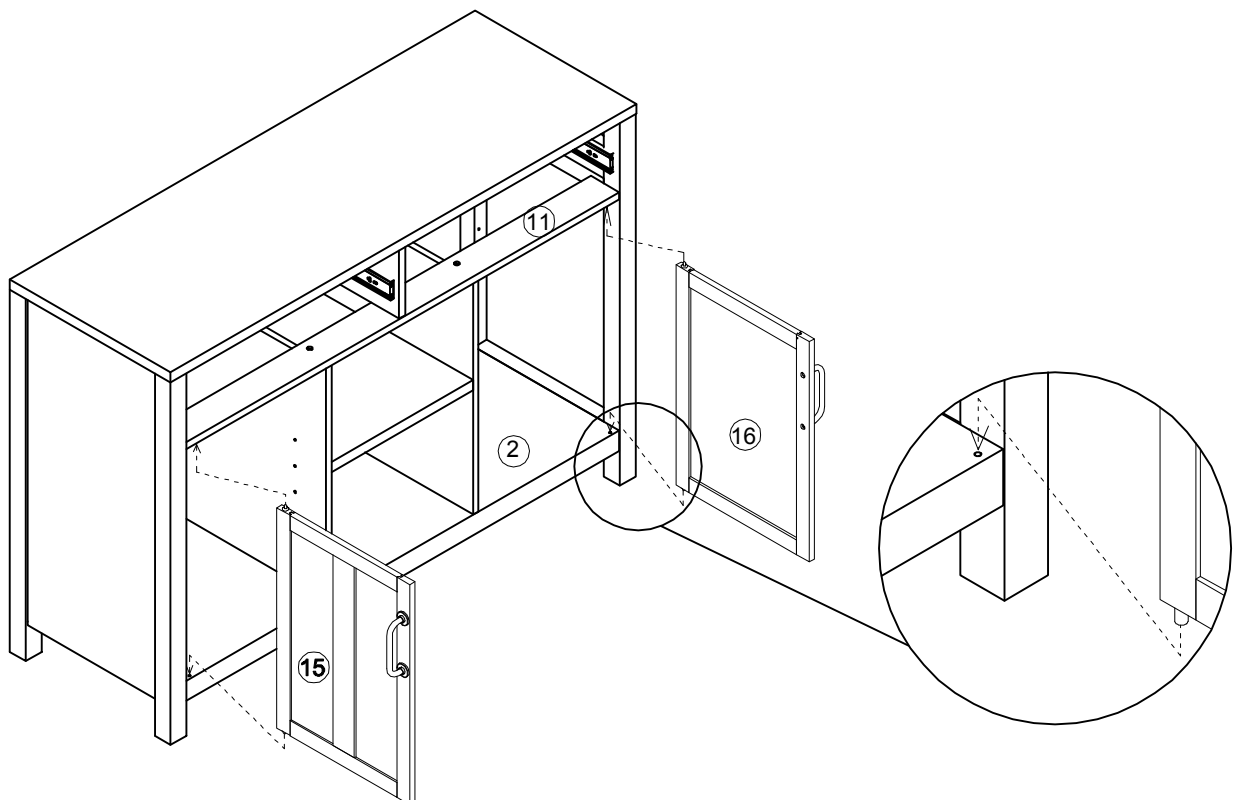


**Step 9.** Carefully turn cabinet over. Attach Top Panel (1) using Wood Dowels (C), Cam Locks (A), Long Flat Head Bolts (D) and Allen Key (F) as shown.

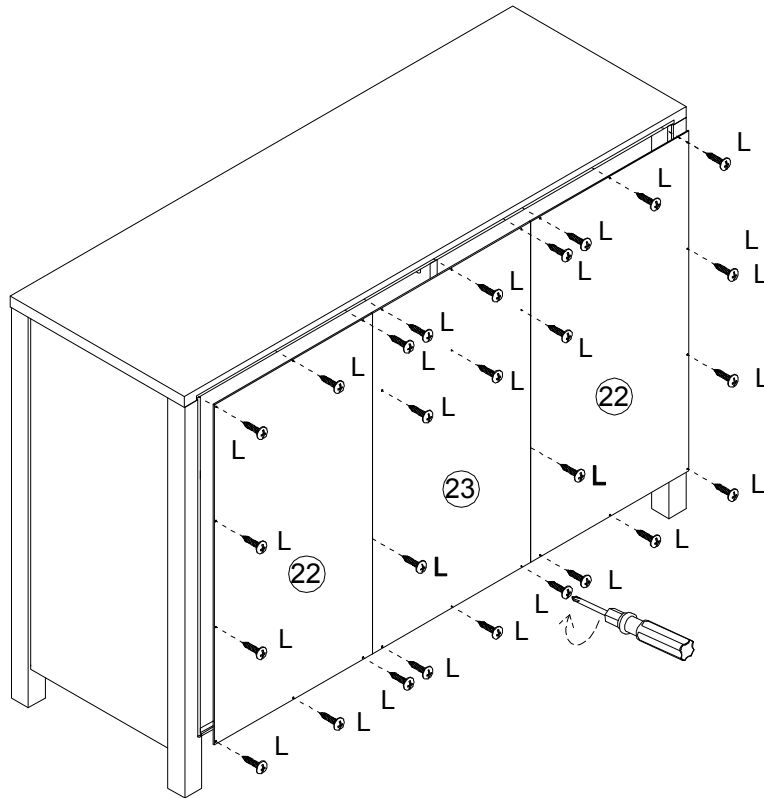


		
A x 2	C x 3	D x 4

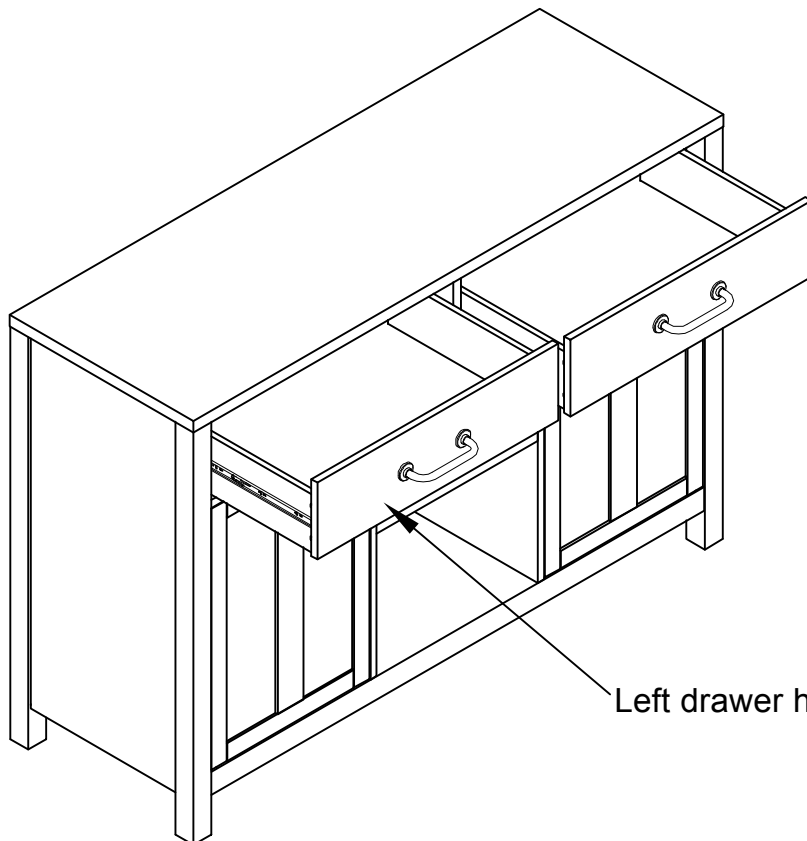
**Step 10.** Attach Doors (15 & 16) to cabinet by placing bottom Pin Hinge into pre-drilled holes in Base (2) & depressing top spring loaded pin hinge to fit the door into place in Rail (11).  
**Note-Be sure Pin Hinges (top & bottom) have fully extended into the pre-drilled holes in Base (2) and Rail (11) to secure doors into place.**



**Step 11.** Attach Back Panels (22&23) to cabinet using Round Head Screws (L) as shown.

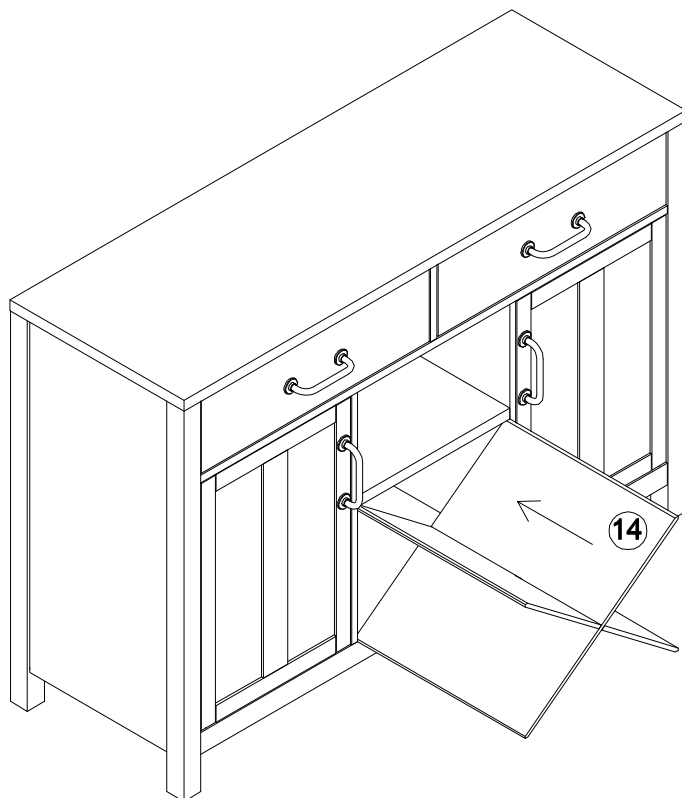


**Step 12.** Insert drawers into cabinet as shown.

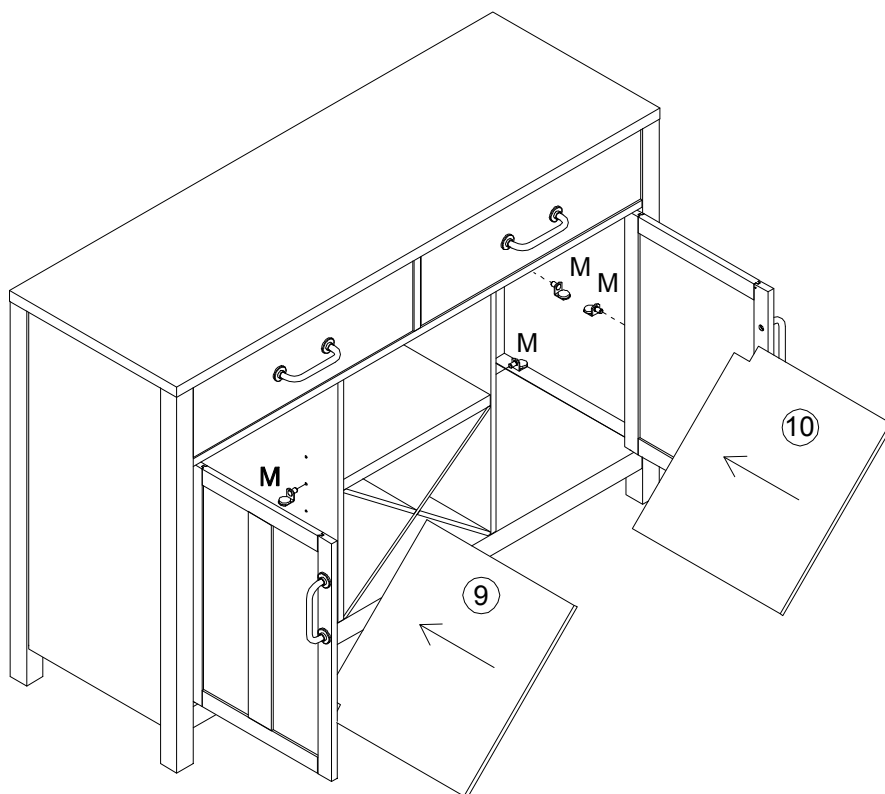


Left drawer has a brand in it .


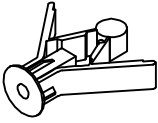



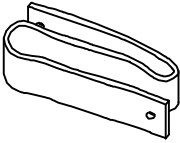
**Step 13.** Insert assembled wine holder shelf into cabinet as shown.



**Step 14.** Insert the Shelf Holders (M) into desired position. Insert Adjustable shelf (9&10) into cabinet.



## Step 15.

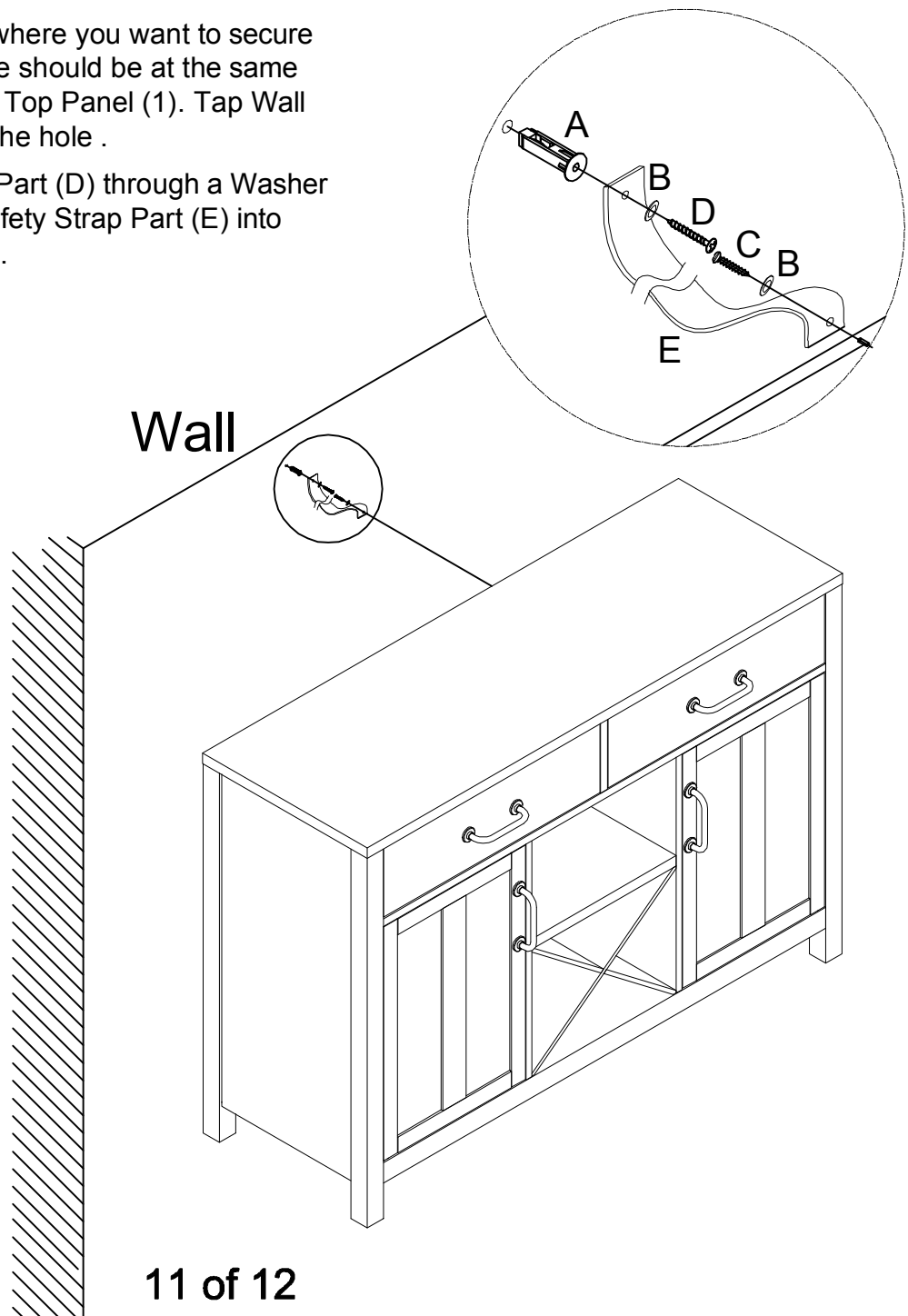
<b>N</b> 	<b>A</b> 	<b>B</b> 	<b>C</b> 	<b>D</b> 	<b>E</b> 
SAFETY STRAP KIT 1PC	WALL ANCHOR A x 1PC	WASHER B x 2PCS	SHORT SCREW C x 1PC	LONG SCREW D x 1PC	SAFETY WALL STRAP E x 1PC

### SAFETY WALL STRAP ASSEMBLY INSTRUCTION

1) Insert Short Screw Part (C) through Washer Part (B) and Safety Wall Strap Part (E) and screw it into Top Panel (1).

2) Drill a  $1\frac{1}{32}$ " hole where you want to secure your pantry. The hole should be at the same height as the hole in Top Panel (1). Tap Wall Anchor Part (A) into the hole.

3) Insert Long Screw Part (D) through a Washer Part (B) and Wall Safety Strap Part (E) into Wall Anchor Part (A).





## Limited Manufacturer Warranty

Crosley Furniture Products are warranted against defects in material and workmanship for a period of 90 days beginning from the date of sale. Should any parts be missing or defective, we will replace or repair the parts for a period of 90 days from the date of purchase.

**Should you experience any missing or damaged parts, do not return to the store.** Please visit our website [www.Crosleyfurniture.com](http://www.Crosleyfurniture.com), or contact us at 800-815-4796 from 9 AM to 5 PM (EST) Monday to Friday.

This warranty gives the purchaser specified legal rights in addition to any rights which may vary from state to state.

In accordance with the "Moss-Magnuson Warranty Act" of July 10, 1975, this is termed a "limited warranty" which in no way compromises Crosley Furniture's high standards of Quality and Workmanship.