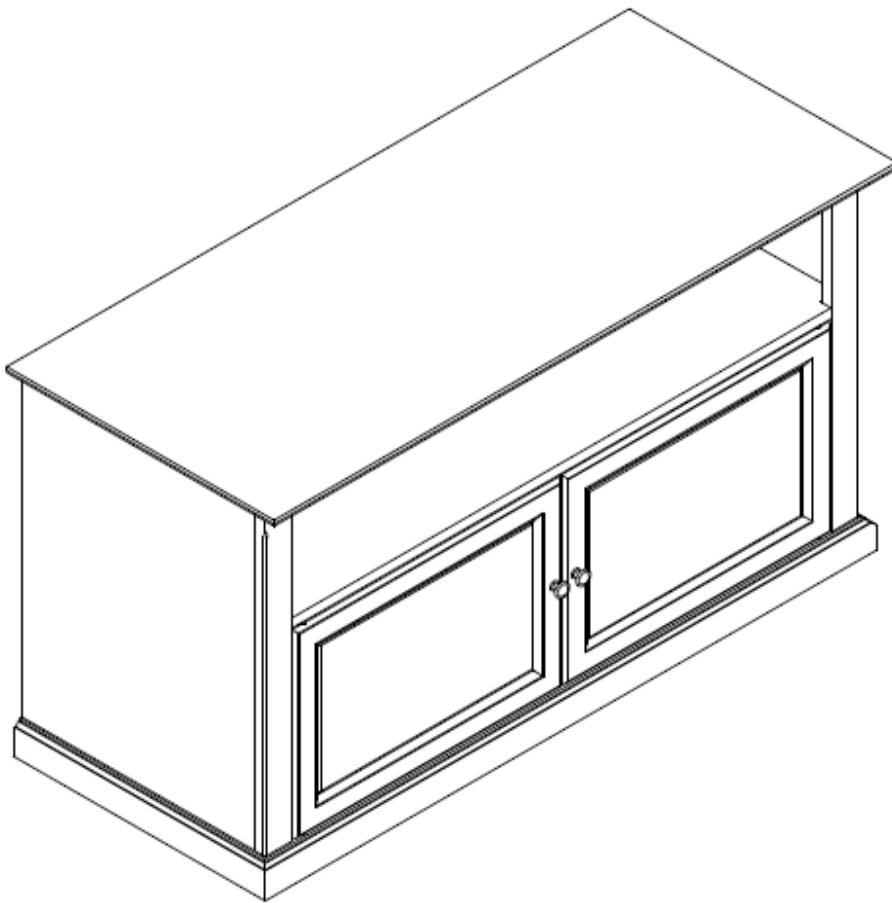




C R O S L E Y  
F U R N I T U R E

**42" TV Stand Cabinet**

**CF100142**





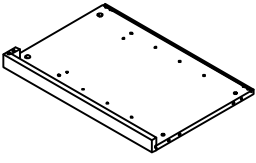
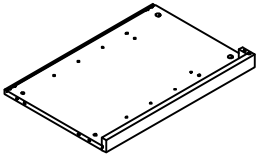
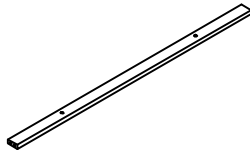
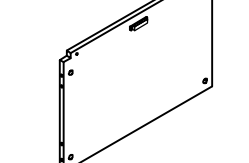
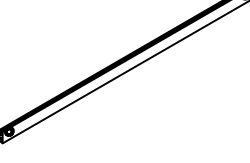
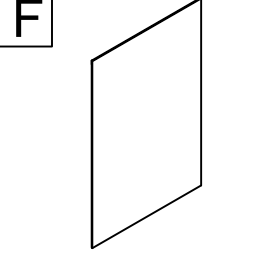
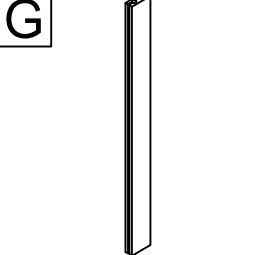
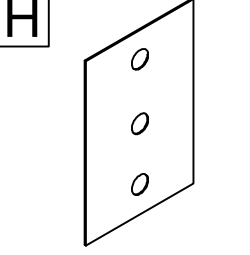
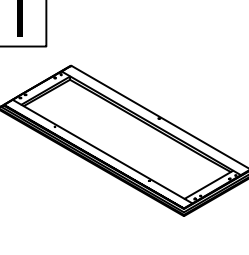
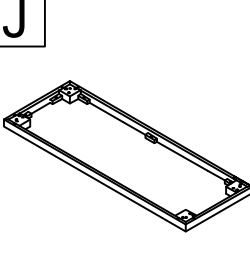
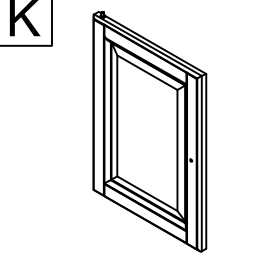
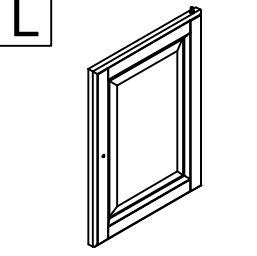
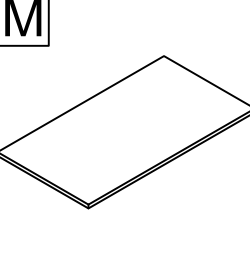
C R O S L E Y  
F U R N I T U R E

Congratulations! You have purchased a stylish piece of Crosley Furniture. We strive to provide fine furniture products, built with quality materials and hand finished details. Please carefully follow the assembly instructions to ensure your furniture is assembled correctly to provide long lasting enjoyment.

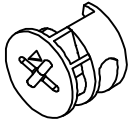
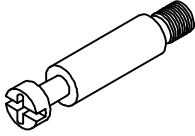
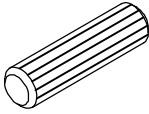


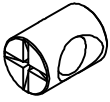
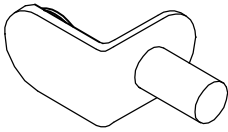
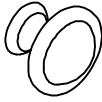
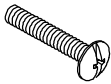
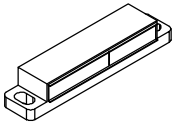
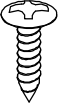
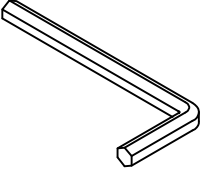
Should you experience any missing or damaged parts, **do not return to the store.** Please contact us directly at 800-815-4796.

**Care:** Use a soft clean cloth that will not scratch the surface when dusting. Use of furniture polish is not necessary. Should you choose to use polishes, test in an inconspicuous area first. Use of solvents of any kind may damage your furniture's finish. To clean, simply use a soft clean cloth moistened with lukewarm water, then buff with a dry soft clean cloth.

# PART LIST

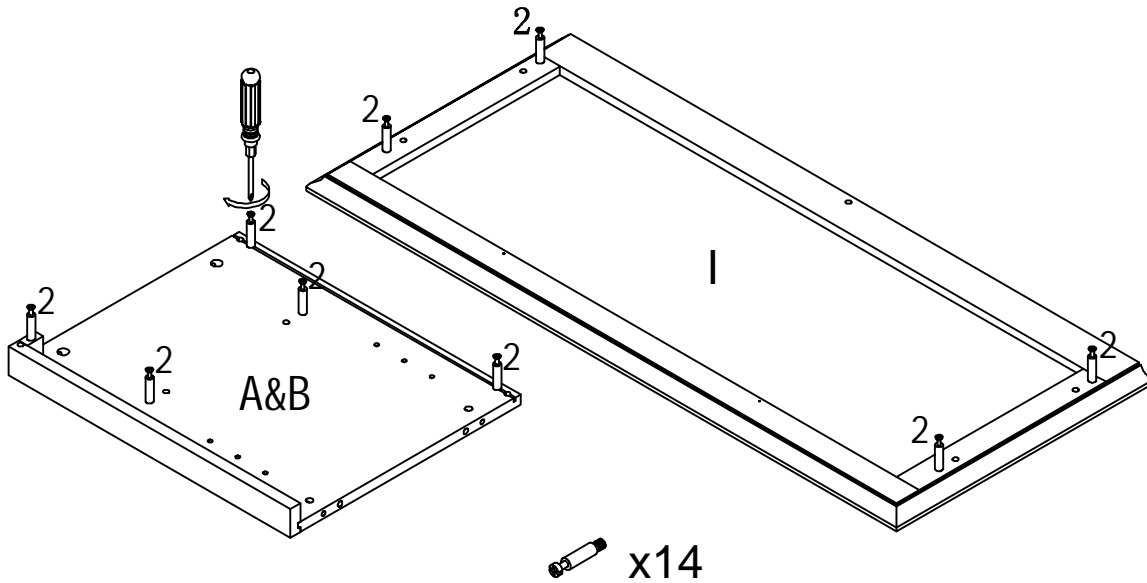
<b>A</b> 	<b>B</b> 	<b>C</b> 	<b>D</b> 	<b>E</b> 
1 PC	1 PC	1 PC	1 PC	2 PCS
<b>F</b> 	<b>G</b> 	<b>H</b> 	<b>I</b> 	<b>J</b> 
2 PCS	2 PCS	1 PC	1 PC	1 PC
<b>K</b> 	<b>L</b> 	<b>M</b> 		
1 PC	1 PC	1 PC		

# HARDWARE LIST

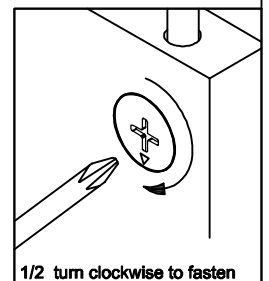
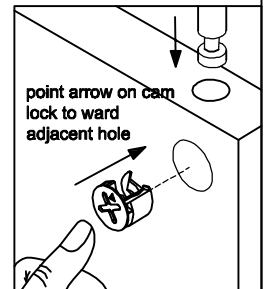
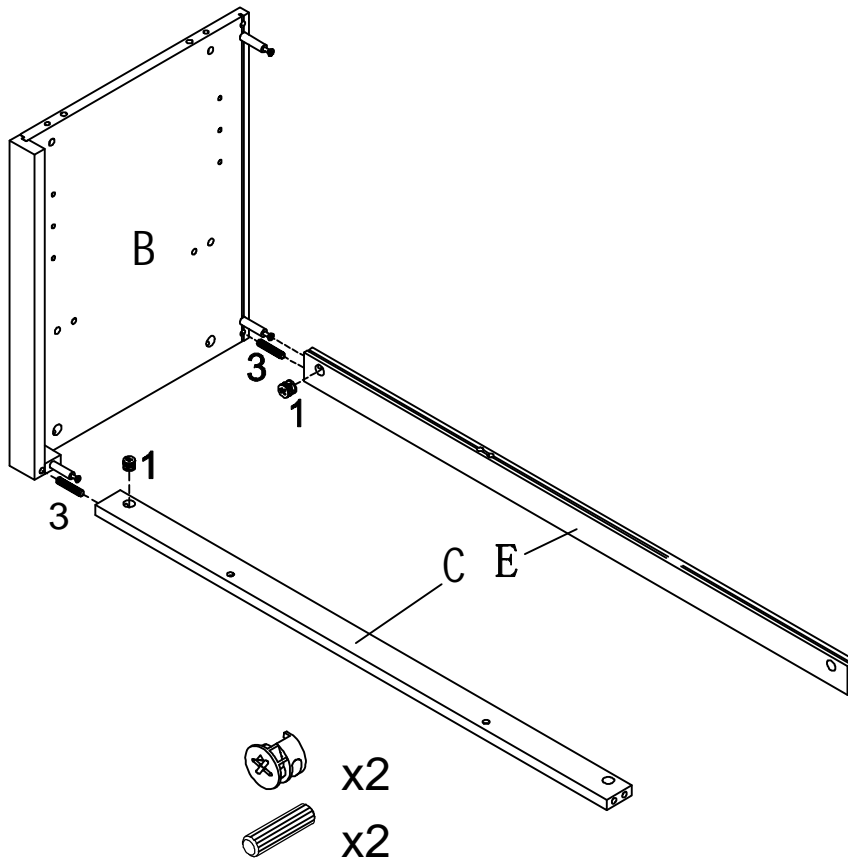
<div data-bbox="129 185 185 241" data-label="Text">1</div> 	<div data-bbox="400 185 456 241" data-label="Text">2</div> 	<div data-bbox="671 185 727 241" data-label="Text">3</div> 	<div data-bbox="943 185 999 241" data-label="Text">4</div> 	<div data-bbox="1214 185 1270 241" data-label="Text">5</div> 
CAM LOCK 14 PCS	CAM BOLT 14 PCS	WOOD DOWEL 26 PCS	SCREW 2 PCS	HEX SOCKET HEAD BOLT 4 PCS
<div data-bbox="129 562 185 618" data-label="Text">6</div> 	<div data-bbox="400 562 456 618" data-label="Text">7</div> 	<div data-bbox="671 562 727 618" data-label="Text">8</div> 	<div data-bbox="943 562 999 618" data-label="Text">9</div> 	<div data-bbox="1214 562 1270 618" data-label="Text">10</div> 
BARREL NUT 4 PCS	SHELF HOLDER 4 PCS	KNOB 2 PCS	ROUND HEAD BOLT 2 PCS	MAGNET 1 PC
<div data-bbox="129 938 185 994" data-label="Text">11</div> 	<div data-bbox="400 938 456 994" data-label="Text">12</div> 			
ROUND HEAD SCREW 2 PCS	ALLEN KEY 1 PC			

Tools needed: Allen key (part #12)(included)  
Phillips Head Screw Driver (Not included)

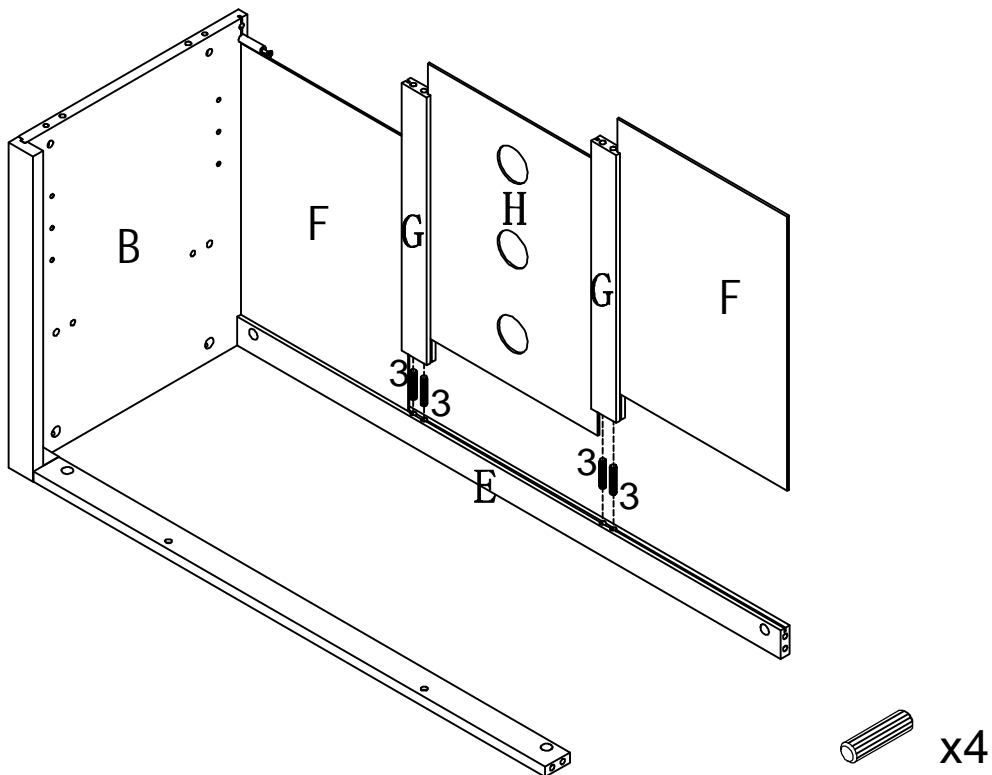
Step 1. Insert Cam Bolts (part #2) into pre-drilled holes of parts A, B & I using a Phillips head screw driver.



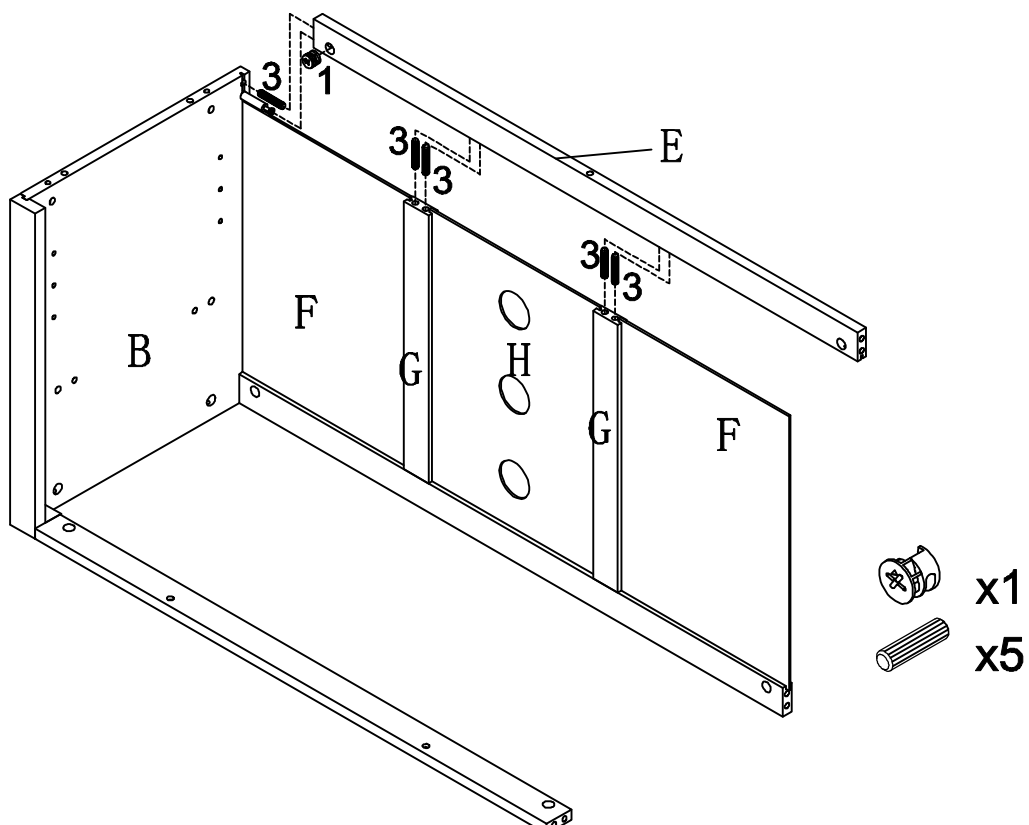
Step 2. Attach Panel B to rails C & E using Cam locks & wood dowels as shown.



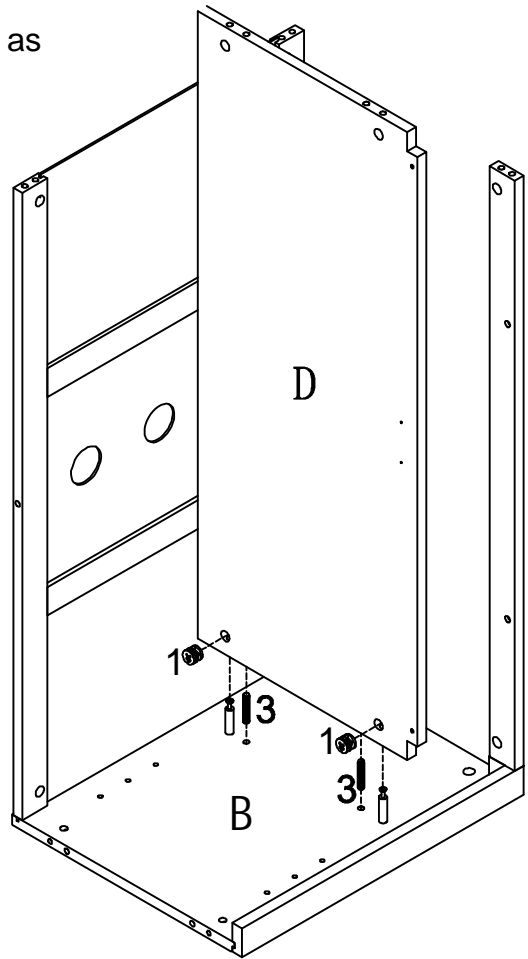
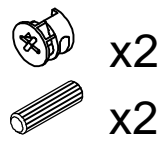
Step 3. Place Rails G into place on Rail E using Wood dowels as shown. Slide Back panels F & Panel H into the grooves as shown.



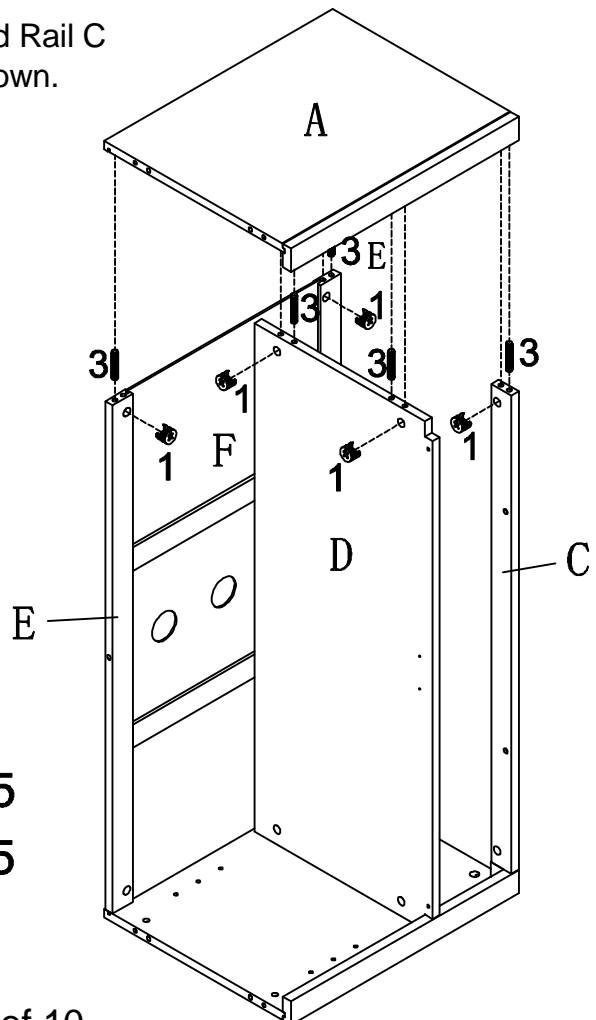
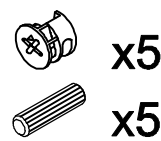
Step 4. Insert Wood dowels into the top end of rails G. Attach rail E to Panel B & Rails G using Wood dowels & Cam locks as shown.



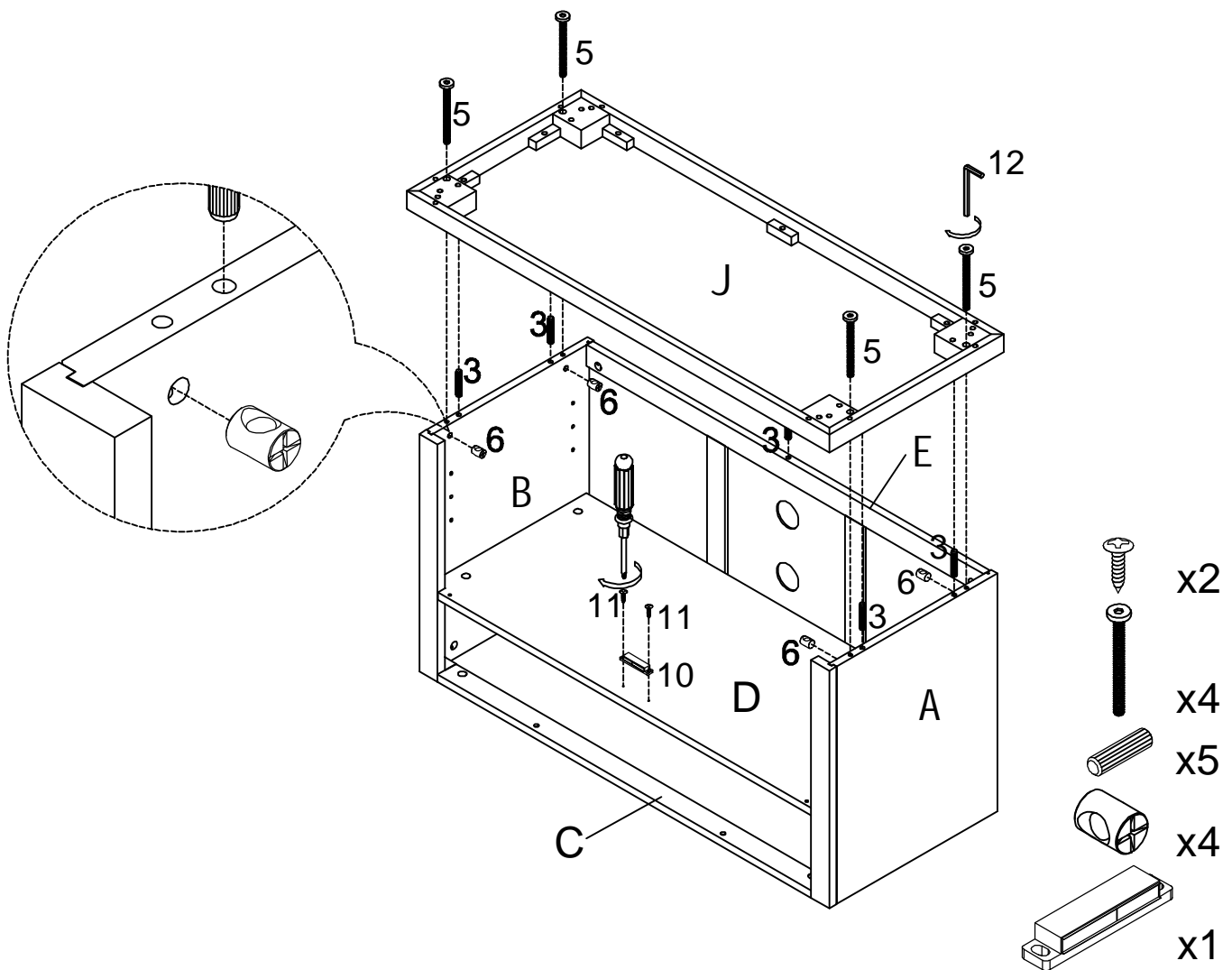
Step 5. Turn unit on its side with Panel B flat on floor as shown. Attach Shelf D to Panel B with Wood dowels & Cam locks as shown.



Step 6. Attach Panel A to Rails E, Shelf D, and Rail C with Wood dowels & Cam locks as shown.

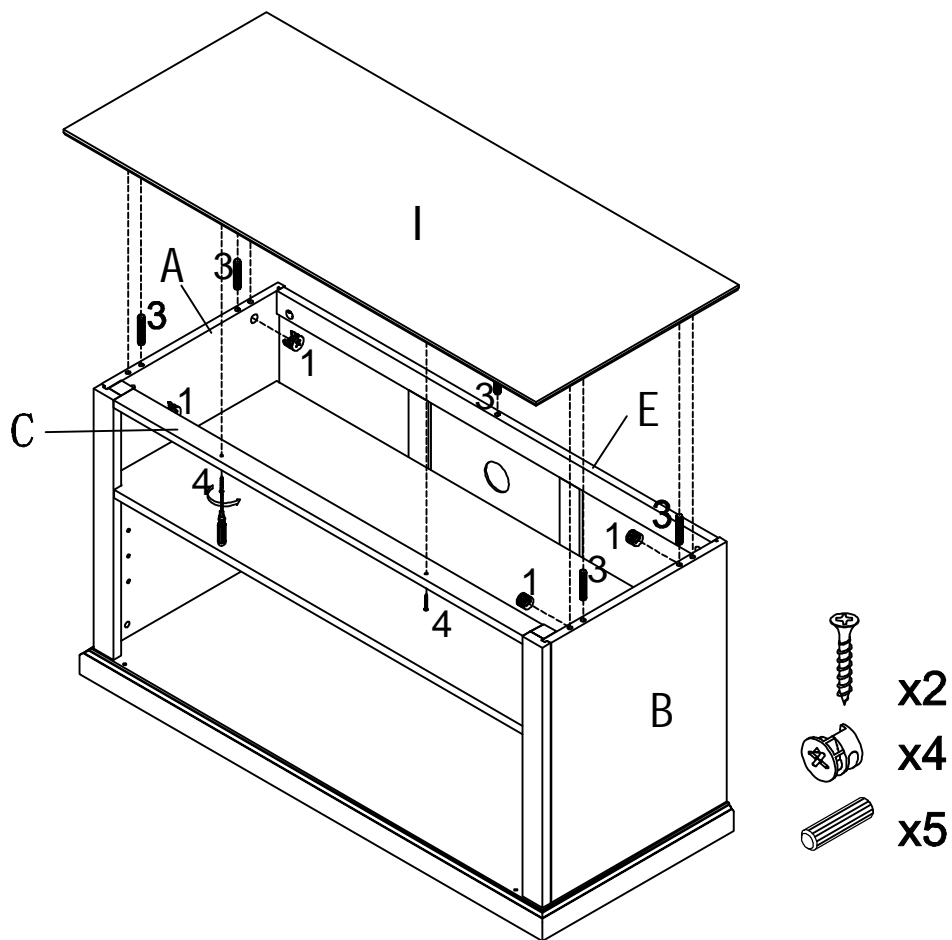


Step 7. Turn cabinet over so that Rail C is flat on ground. The bottom side is now facing upward. Attach Base J to cabinet using Wood dowels, Hex Socket Head Bolts (Part #5) & Barrel nuts (Part #6) as shown. Attach Magnet (Part #10) to Shelf D with Round Head Screws (Part #11) into pre-drilled holes as shown. Attach legs using Hex Socket Head Bolts & Wood dowels (**as shown in instruction manual included in carton with legs**). Carefully turn cabinet with legs on the floor.

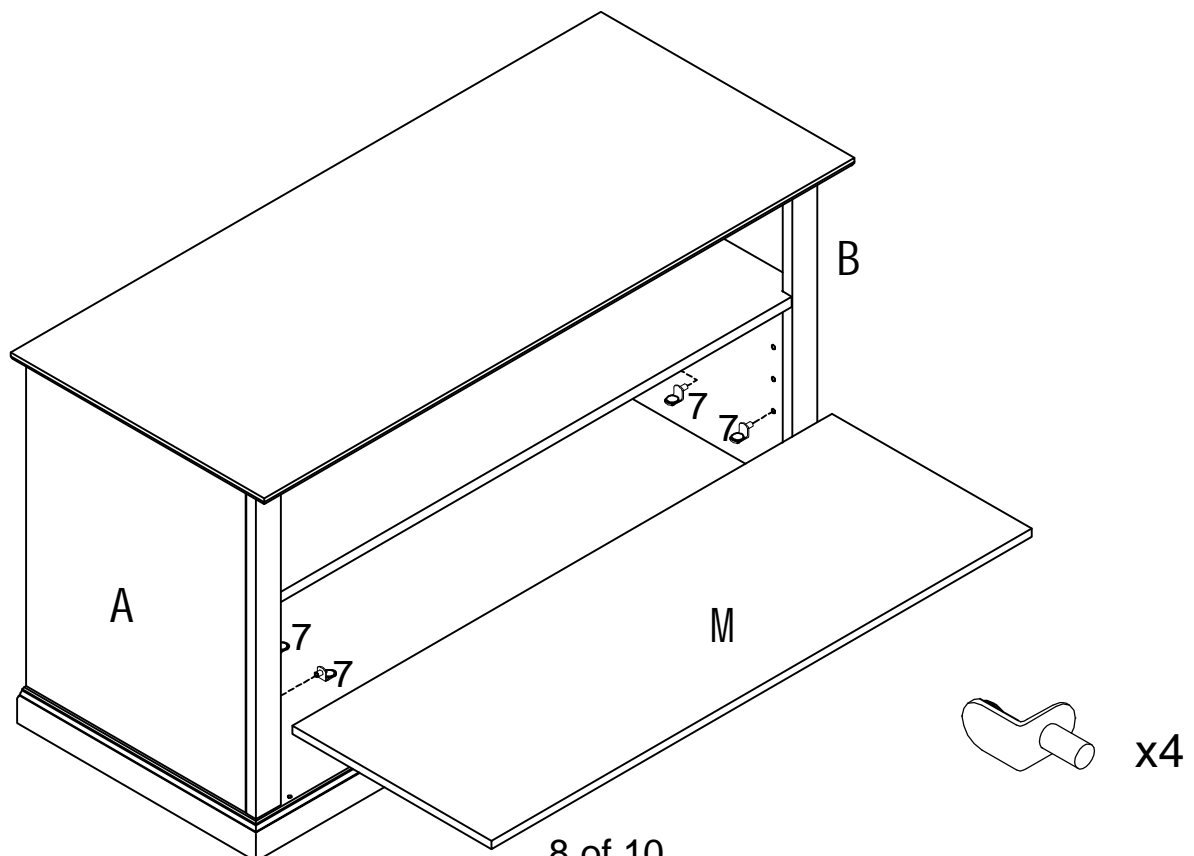




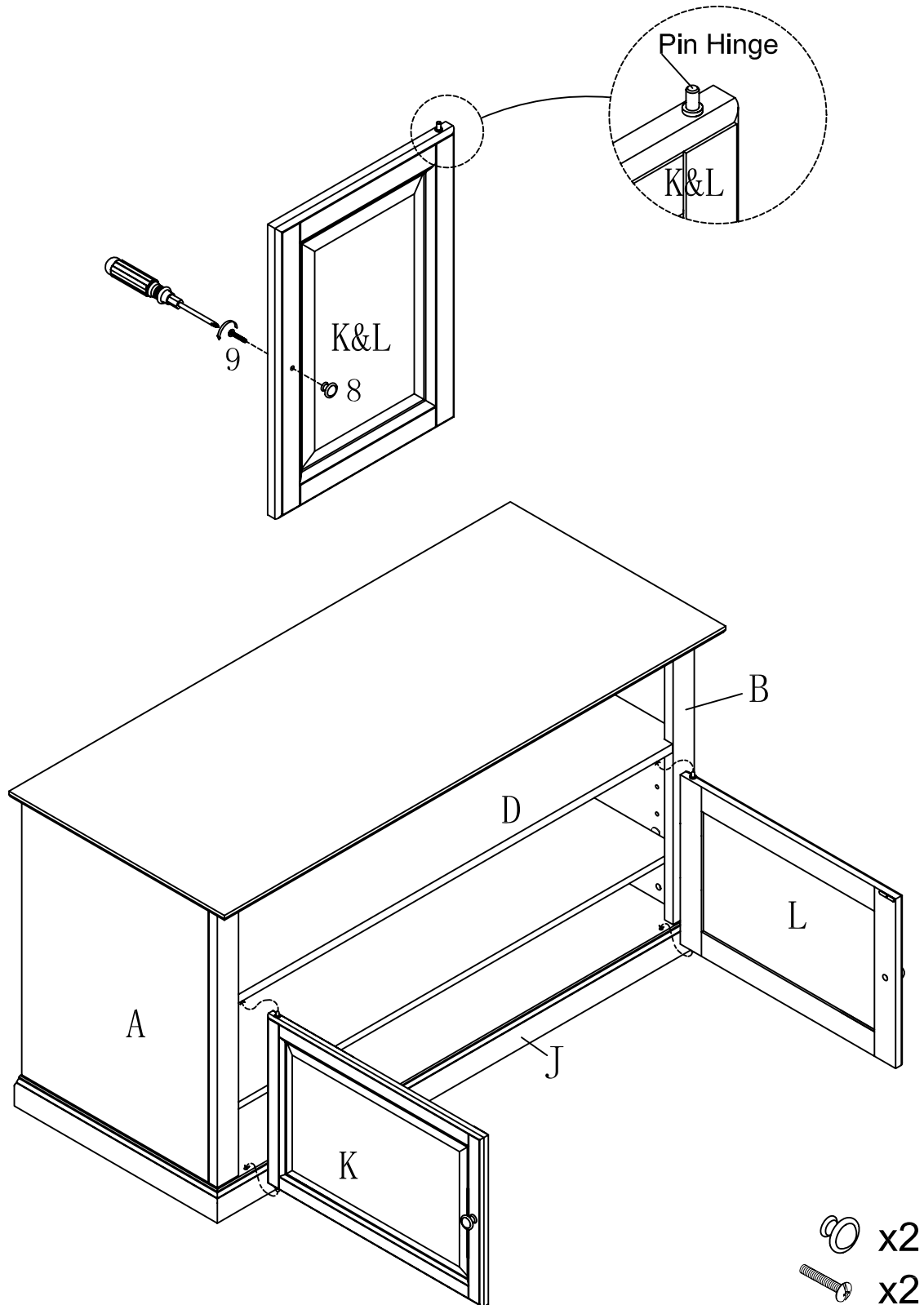
Step 8. Attach Top I to cabinet using Wood Dowels & Cam locks as shown. Secure Rail C to Top I using Screws (Part #4) through pre-drilled holes as shown.



Step 9. Insert the Shelf Holders (Part #7) into desired position, and add shelf M as shown.



Step 10. Attach hardware knobs (Part #8) to Doors K & L using Round Head Bolts (Part #9) and a Phillips Head screw driver. Attach doors to cabinet by placing bottom Pin Hinge into pre-drilled holes in Base J & depressing top spring loaded Pin Hinge to fit door into place. **Note: Be sure Pin Hinges (top & bottom) have fully extended into the pre-drilled holes in Base J and Shelf D to secure doors into place.**





C R O S L E Y  
F U R N I T U R E

## Limited Manufacturers Warranty

Crosley Furniture Products are warranted against defects in material and workmanship for a period of 90 days beginning from the date of sale. Should any parts be missing or defective, we will replace or repair the parts for a period of 90 days from the date of purchase.

**Should you experience any missing or damaged parts, do not return to the store.** Please contact us directly at 800-815-4796 from 9 AM to 5 PM (EST) Monday to Friday.

This warranty gives the purchaser specified legal rights in addition to any rights which may vary from state to state.

In accordance with the "Moss-Magnuson Warranty Act" of July 10, 1975, this is termed a "limited warranty" which in no way compromises Crosley Furniture's high standards of Quality and Workmanship.