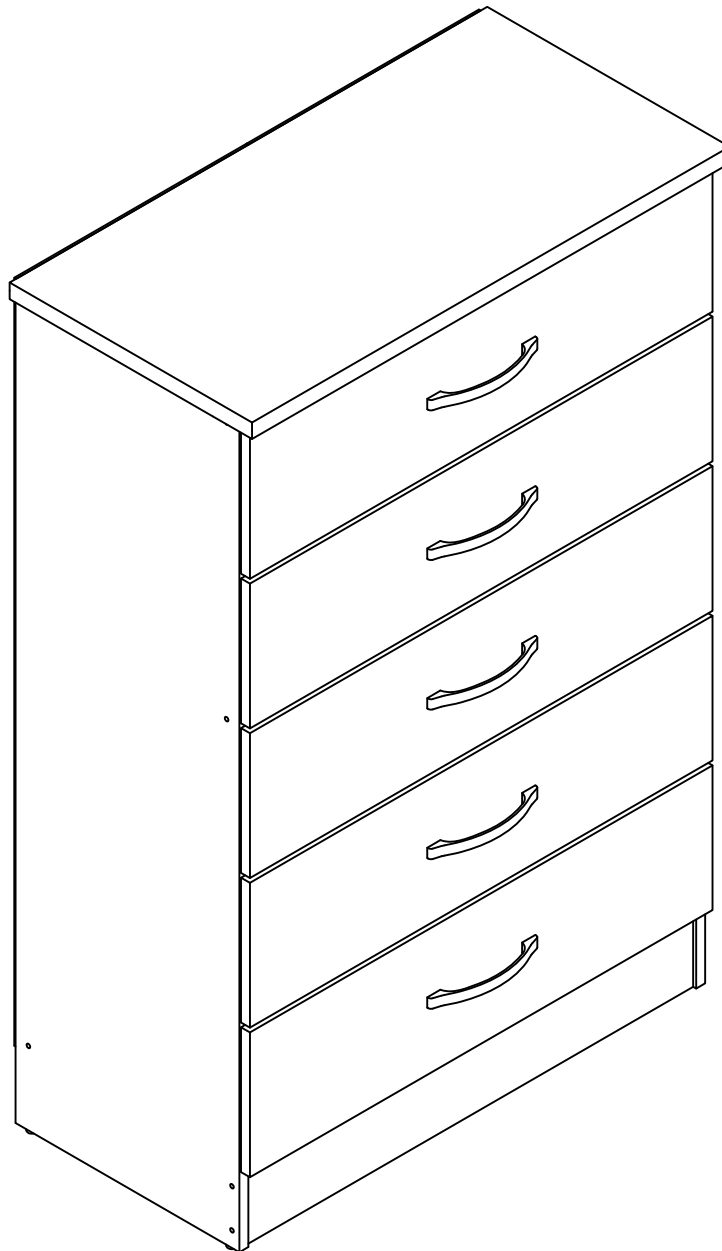




# Hodedah

[www.hodedah.com](http://www.hodedah.com)  
[support@hodedah.com](mailto:support@hodedah.com)



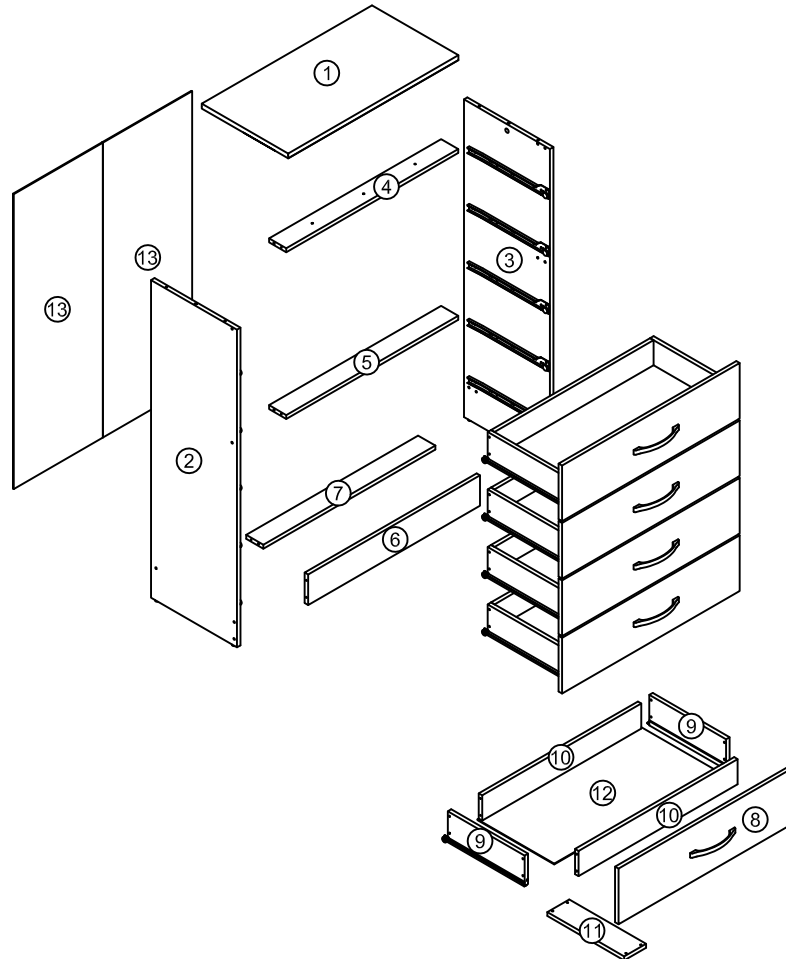
HI5DR  
W32" x D16" x H43"



# Hodedah

[www.hodedah.com](http://www.hodedah.com)  
[support@hodedah.com](mailto:support@hodedah.com)

## Parts and Hardware List



A		JCBCW M5 x 40mm SCREW	10
B		M4 x 25mm CSK SCREW	3
C		M4 x 38mm CSK SCREW	60
D		T/MS SCREW M4 x 38mm	10
E		WOOD DOWEL 6 x 25mm	10
F		NAIL	62
G		PVC BRAZIL HANDLE - 160	5

H		PVC NAIL	4
I		ALLEN KEY	1
J		SCREW - IN DOWEL	2
K		CAM FITTING (15mm)	2
L		METAL RUNNER 14"	5
M		M3.5 x 12mm CSK SCREW	60



# Hodedah

[www.hodedah.com](http://www.hodedah.com)  
[support@hodedah.com](mailto:support@hodedah.com)

- This product contains small components, please ensure that they are kept away from small children.
- THIS INSTRUCTION BOOKLET CONTAINS **IMPORTANT** SAFETY INFORMATION. PLEASE READ AND KEEP FOR FUTURE REFERENCE.



DO NOT RETURN PRODUCT TO THE STORE.

If a part is missing or damaged, email our customer service. We will gladly ship your replacement parts **FREE** of charge.

Need Parts or Assistance?

email us at

**[support@hodedah.com](mailto:support@hodedah.com)**

For prompt, reliable service; please have your assembly manual ready.



# Hodedah

[www.hodedah.com](http://www.hodedah.com)  
[support@hodedah.com](mailto:support@hodedah.com)

Thank you for purchasing from Hodedah

**To learn more about hodedah and our products visit  
[www.hodedah.com](http://www.hodedah.com)**

## **READ BEFORE BEGINNING ASSEMBLY**

- Read each step carefully. It is very important that each step of instruction is performed in the correct order. If these steps are not followed in sequence, assembly difficulties will occur.
- Make sure all parts are included. Most parts are labeled or stamped on the raw edge.
- Work in spacious area, preferably on a carpet, near the place the unit will be used.
- Do not use power tools to assemble your furniture. Power tools may strip or damage the parts.

## **HELPFUL HINTS**

- Call us if you need assistance.
- Move your new furniture carefully, with two people lift and carry the unit to it's new location.
- Never push, drag or pull your furniture (especially on carpet).

## **Warranty Information**

Hodedah warrants this product to be free from defects in material and workmanship agrees to remedy any such defect. This warranty covers one year from the date of original purchase. This is solely limited to be repair or replacement of defective parts and no assembly labor is included.

This warranty does not apply to any product which has been improperly assembled, subjected to misuse or abuse or which has been altered or repaired in any way.

To obtain warranty service, purchaser must present original bill of sale. Components repaired or replaced warranted through the remainder of the original warranty period only. The defective components will be repaired or replaced without charge, subject to the terms and conditions described above.

**For help with assembly, identifying parts, product information or to  
order parts, please contact us:**

Call us at:  
718 - 456 - 0505  
Monday - Friday  
9:00 am - 5:00 pm




Visit our website:  
[www.hodedah.com](http://www.hodedah.com)



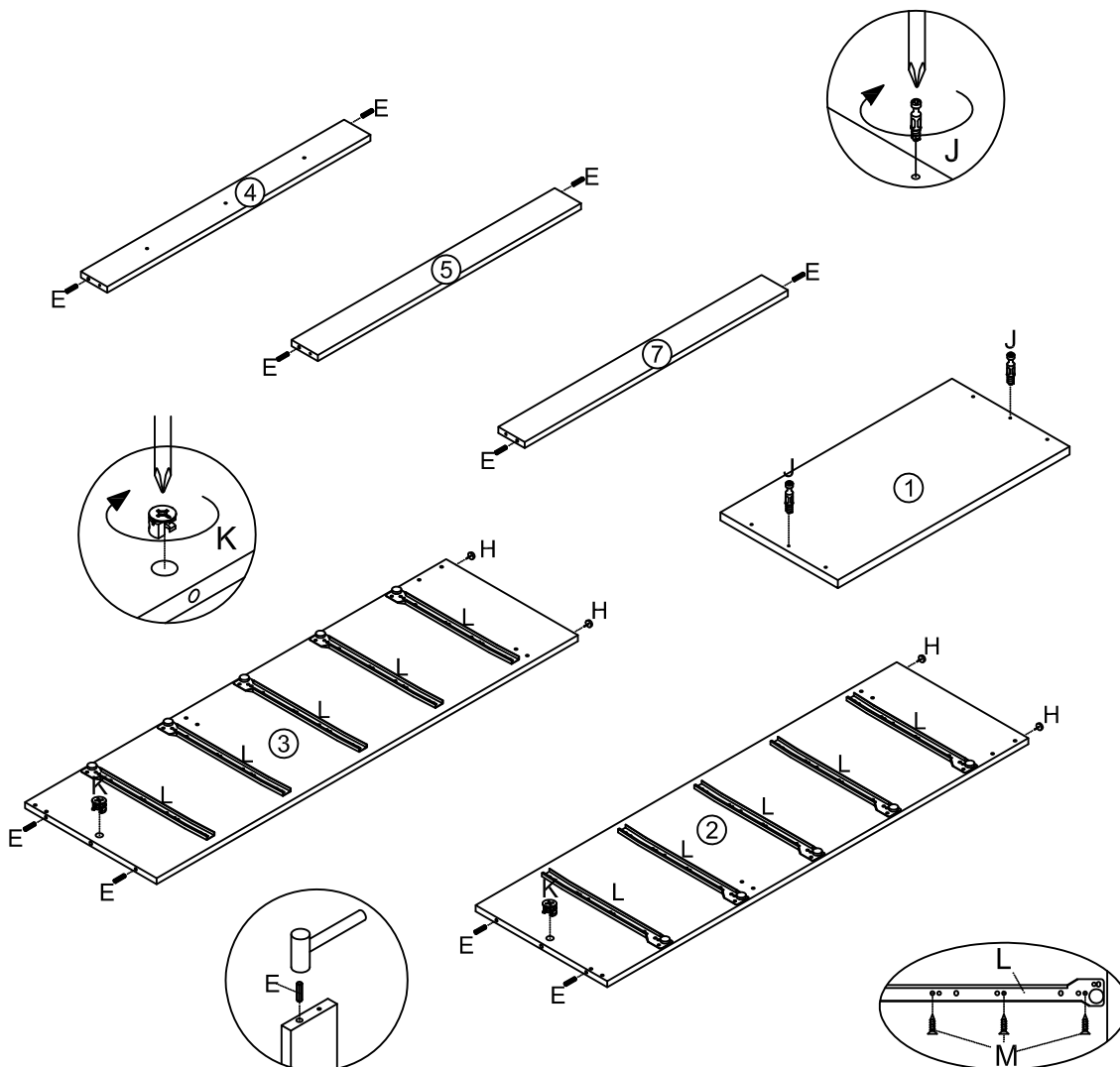
# Hodedah

[www.hodedah.com](http://www.hodedah.com)  
[support@hodedah.com](mailto:support@hodedah.com)

## Step 1

E		WOOD DOWEL 6 x 25mm	10
H		PVC NAIL	4
J		SCREW - IN DOWEL	2

K		CAM FITTING (15mm)	2
L		METAL RUNNER 14"	5
M		M3.5 x 12mm CSK SCREW	30

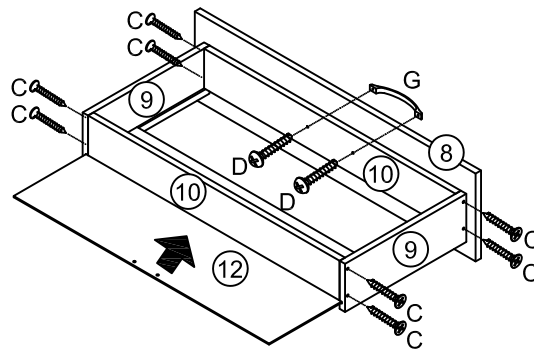


- Fix 4 x Pvc Nails (H) into panels (2) & (3) using a Hammer.
- Insert 10 x Dowels (E) into panels (2) & (3) & (4) & (5) & (7) using a Hammer.
- Attach Metal Runner (L) to panels (2) & (3) with 30 x CSK Screw (M) using a Phillips head screwdriver.

## Step 2

B		M4 x 25mm CSK SCREW	3
C		M4 x 38mm CSK SCREW	40
D		T/MS SCREW M4 x 38mm	10

G		PVC BRAZIL HANDLE - 160	5
---	--	-------------------------	---

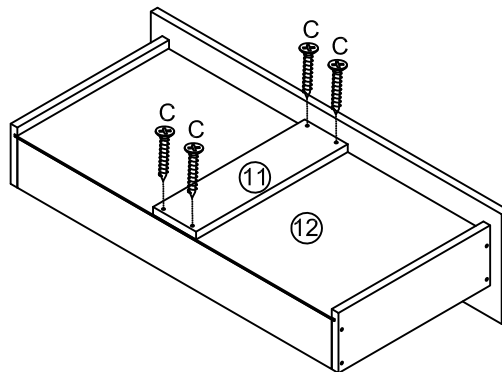


Repeat x5

- Attach panels (9) to panels (10).
- Insert 8 x CSK Screw (C) to panels (9) and tighten with a Philips head screwdriver.
- Slide panel (12) into the groove of panels (9).
- Attach Handle (G) to panels (8) with 2 x T/MS Screw (D) using an Phillips head screwdriver.

## Step 3

C		M4 x 38mm CSK SCREW	20
---	--	---------------------	----



Repeat x5

- Attach panel (11) to panel (12).
- Insert 4 x CSK Screw (C) to panel (11) and tighten with a Philips head screwdriver.

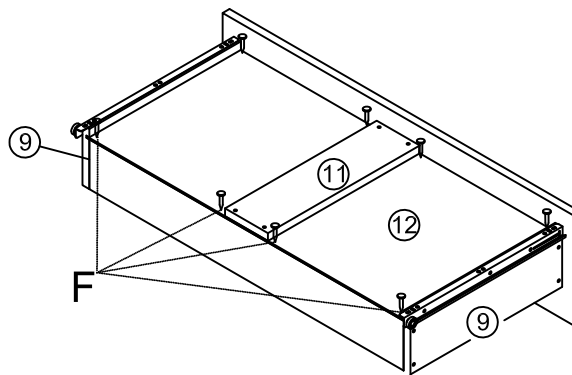


# Hodedah

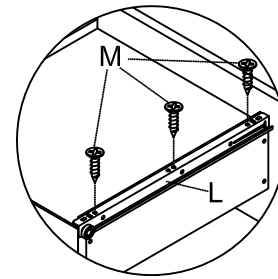
[www.hodedah.com](http://www.hodedah.com)  
[support@hodedah.com](mailto:support@hodedah.com)

## Step 4

F		NAIL	40
L		METAL RUNNER 14"	5
M		M3.5 x 12mm CSK SCREW	30





Repeat x5

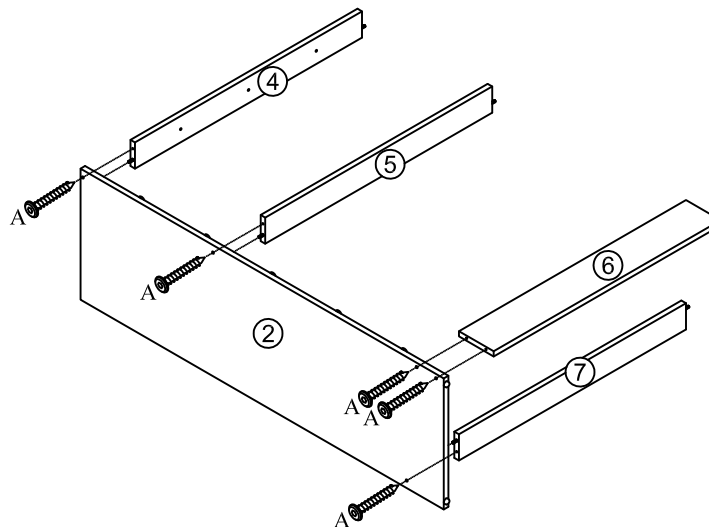


- Fix 8 x Nails (F) into panel (12) using a Hammer.
- Attach Metal Runners (L) to drawer side with 6 x CSK Screw (M) using Phillips head screwdriver.

## Step 5

A		JCBCW M5 x 40mm SCREW	5
---	---	-----------------------	---

I		ALLEN KEY	1
---	---	-----------	---




- Attach panel (2) to panels (4) & (5) & (6) & (7).
- Insert 5 x JCBCW Screw (A) to panel (2) and tighten with a Allen Key (I).




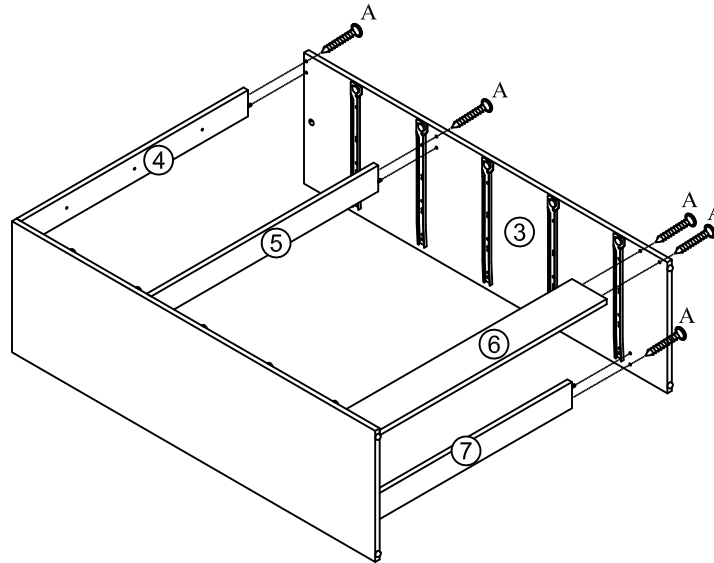
# Hodedah

[www.hodedah.com](http://www.hodedah.com)  
[support@hodedah.com](mailto:support@hodedah.com)

## Step 6


A	 JCBCW M5 x 40mm SCREW	5
---	---	---

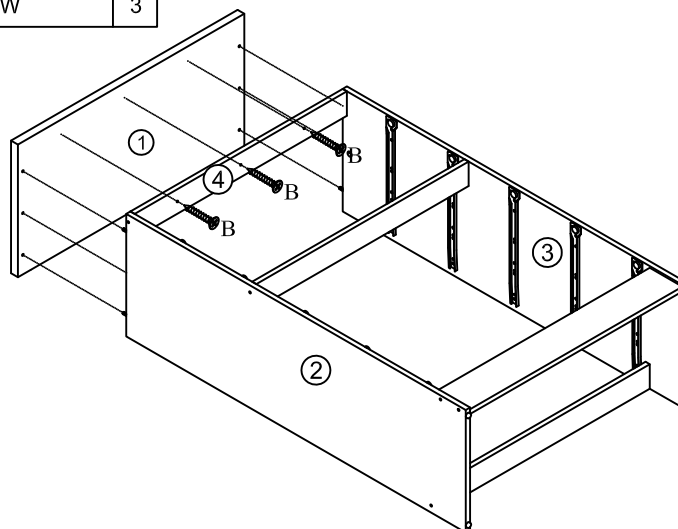
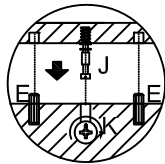
I	 ALLEN KEY	1
---	---	---



- Attach panels (3) to panels (4) & (5) & (6) & (7).
- Insert 5 x JCBCW Screw (A) to panel (3) and tighten with a Allen Key (I).

## Step 7

B	 M4 x 25mm CSK SCREW	3
---	---	---



- Attach panel (1) to panel (2) & (3), Aligning dowels.
- Turn the Cam Nut on panels (2) & (3) clockwise with a Phillips head screwdriver to lock in position.
- Insert 3 x CSK Screw (B) to panel (4) and tighten with a Phillips head screwdriver.



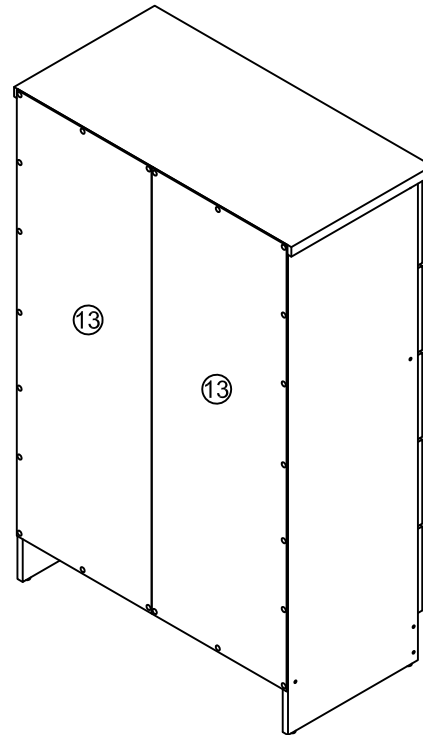
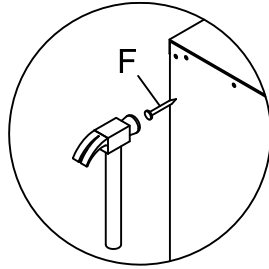


# Hodedah

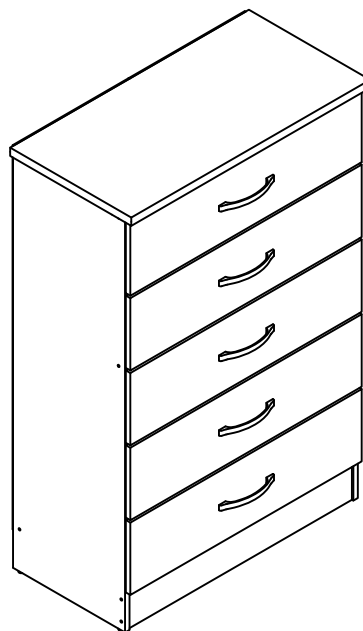
[www.hodedah.com](http://www.hodedah.com)  
[support@hodedah.com](mailto:support@hodedah.com)

## Step 8

F		NAIL	22
---	---	------	----



- Fix 22 x Nails (F) into panel (13) using a Hammer.



## Job Complete!

In the interest of our environment please dispose of all packaging thoughtfully.