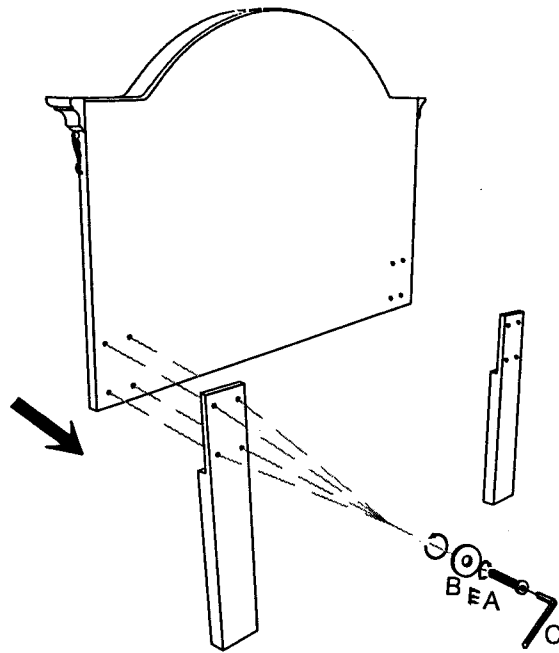


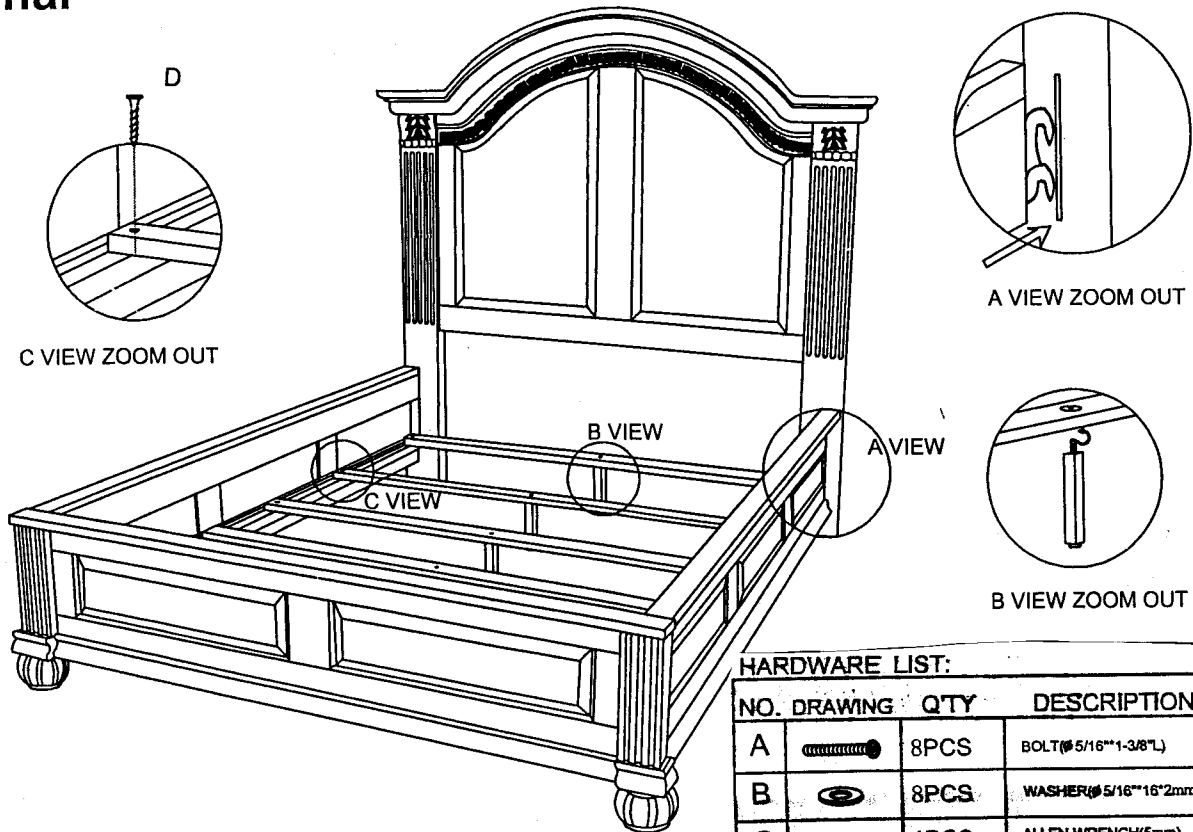
ASSEMBLY INSTRUCTIONS

FOR BED

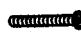




step1



final



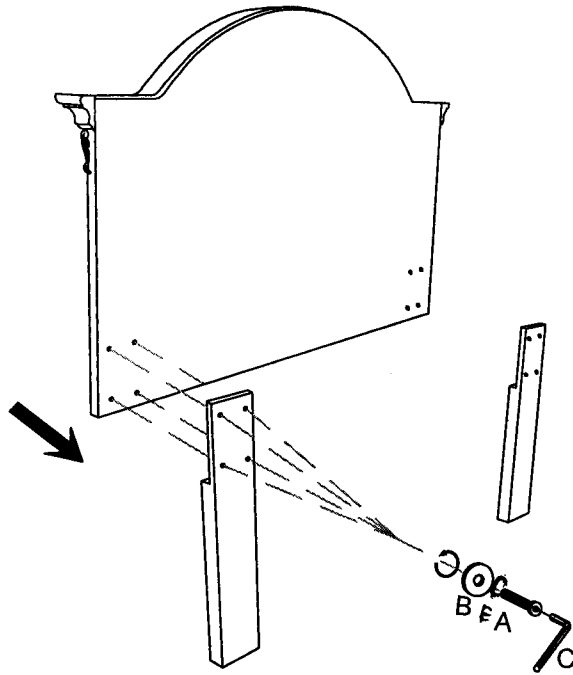
HARDWARE LIST:

NO.	DRAWING	QTY	DESCRIPTION
A		8PCS	BOLT(#5/16**1-3/8"L)
B		8PCS	WASHER(#5/16**16*2mm)
C		1PCS	ALLEN WRENCH(5mm)
D		8PCS	SCREW (M4*1")
E		8PCS	WASHER(# M 8)

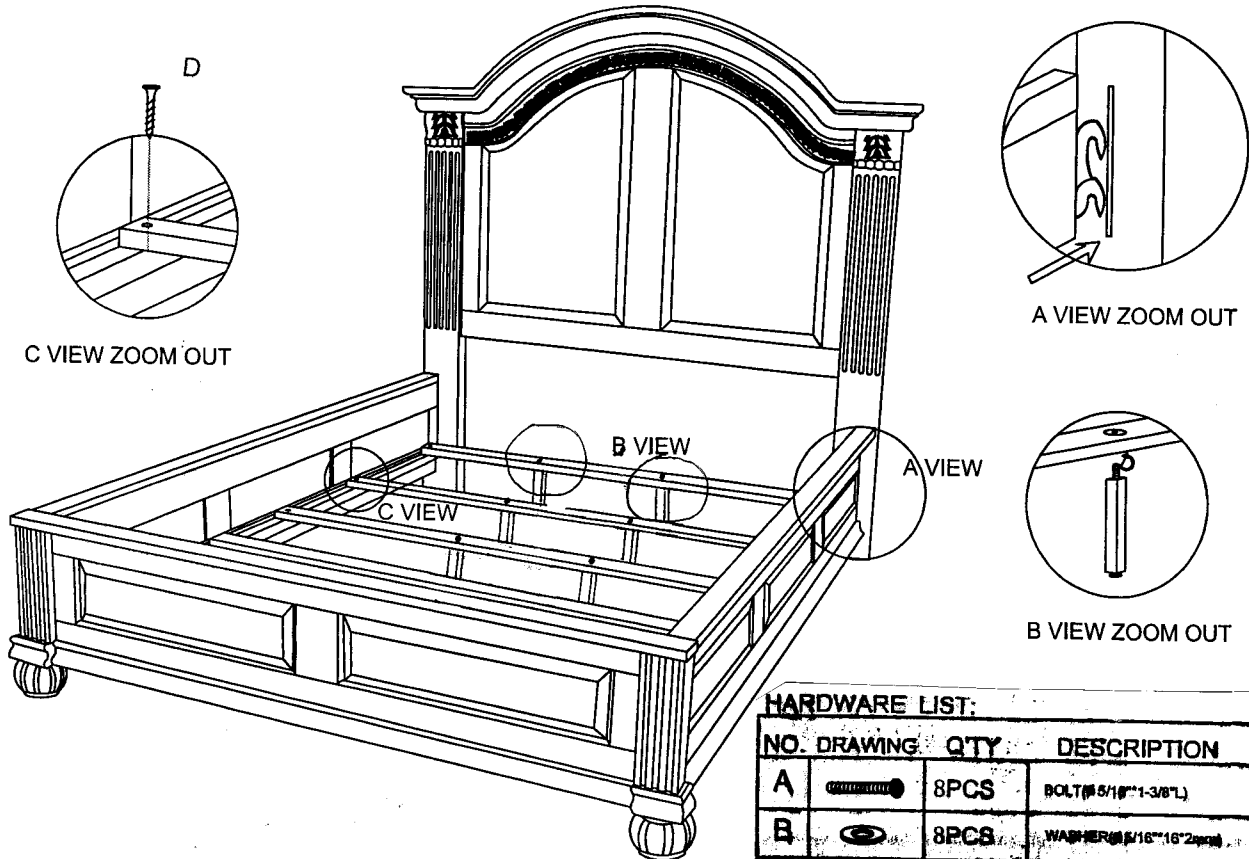
ASSEMBLY INSTRUCTIONS

FOR E KING BED




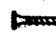

step1

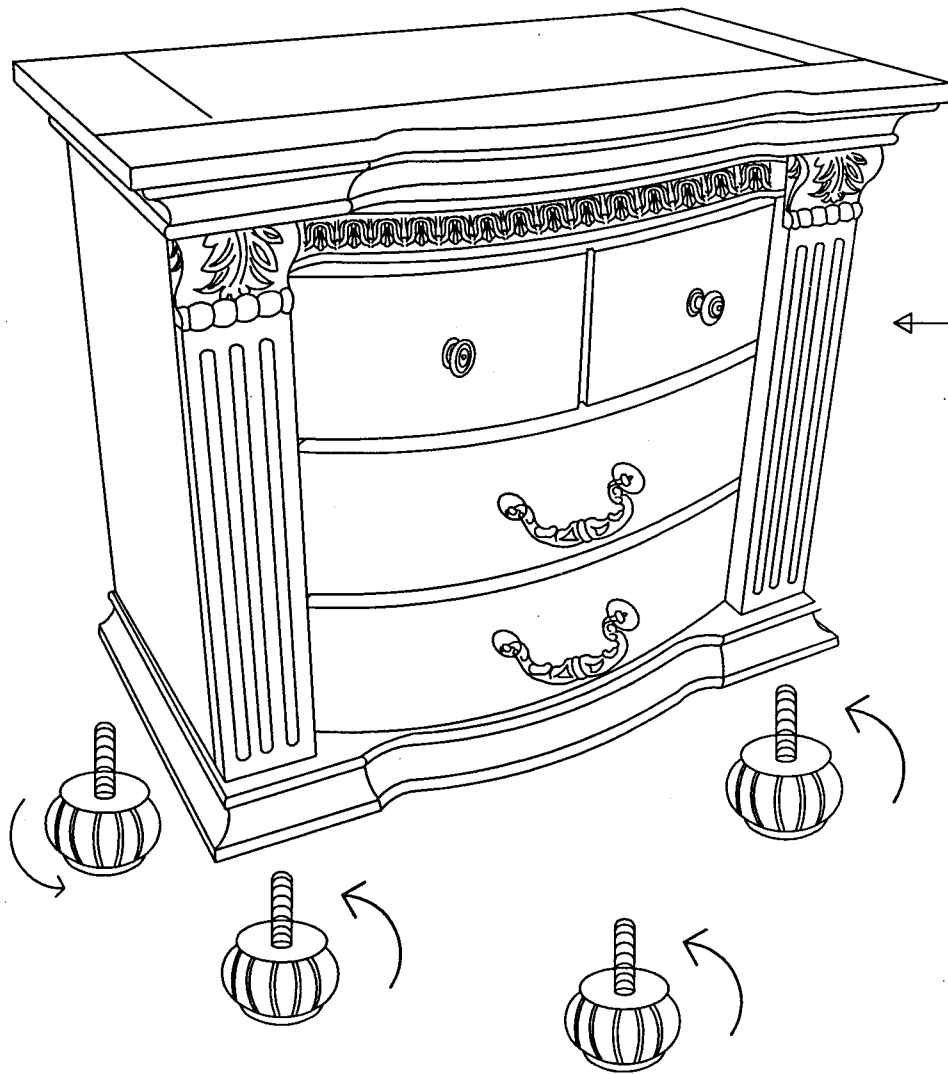


final



HARDWARE LIST:

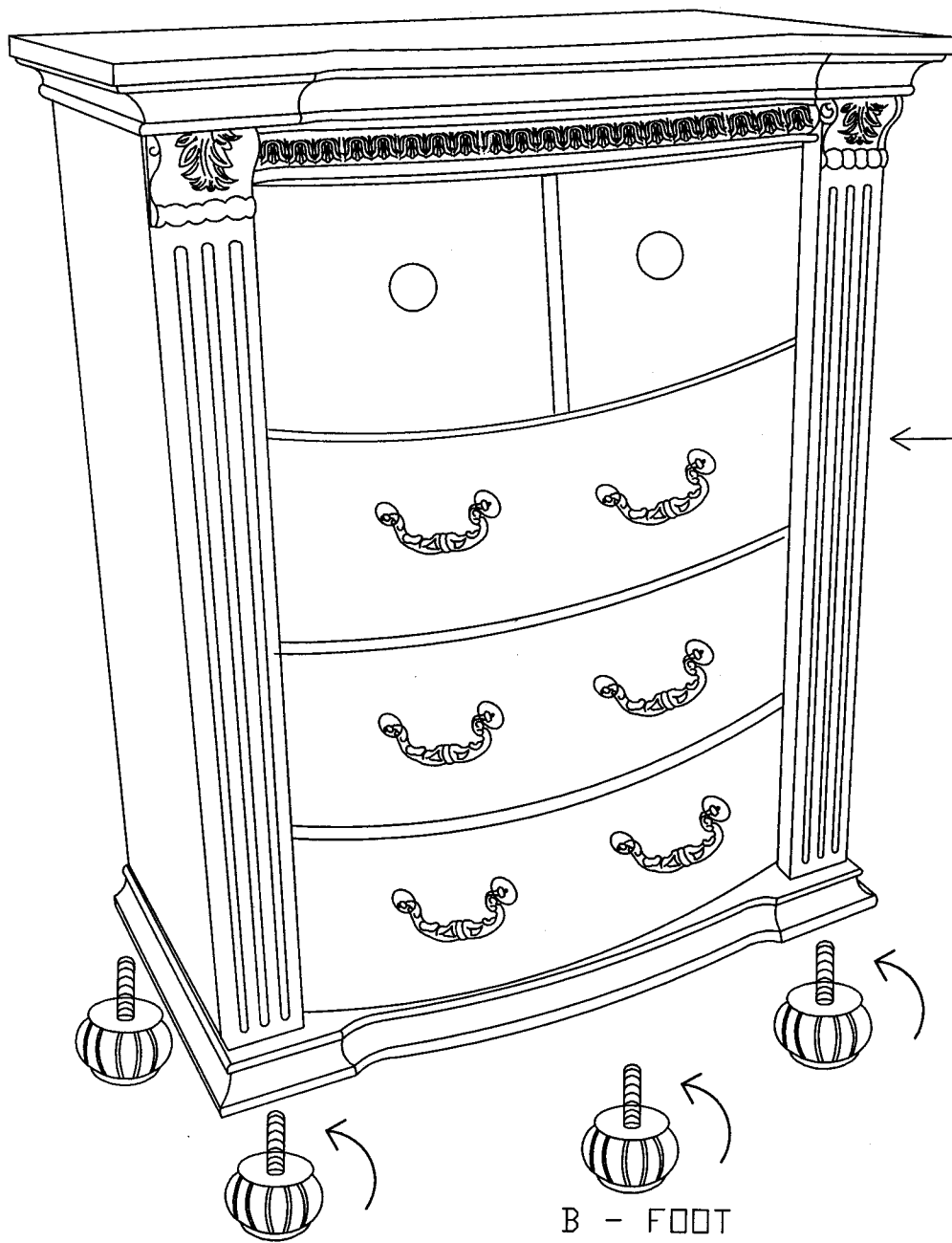
NO.	DRAWING	QTY	DESCRIPTION
A		8PCS	BOLT (#5/16" 1-3/8" L)
B		8PCS	WASHER (#16" 16" 2mm)
C		1PCS	ALLEN WRENCH (5mm)
D		8PCS	SCREW (M4*1")
E		8PCS	WASHER (# M 8)



← A - NIGHTSTAND

B - FOOT

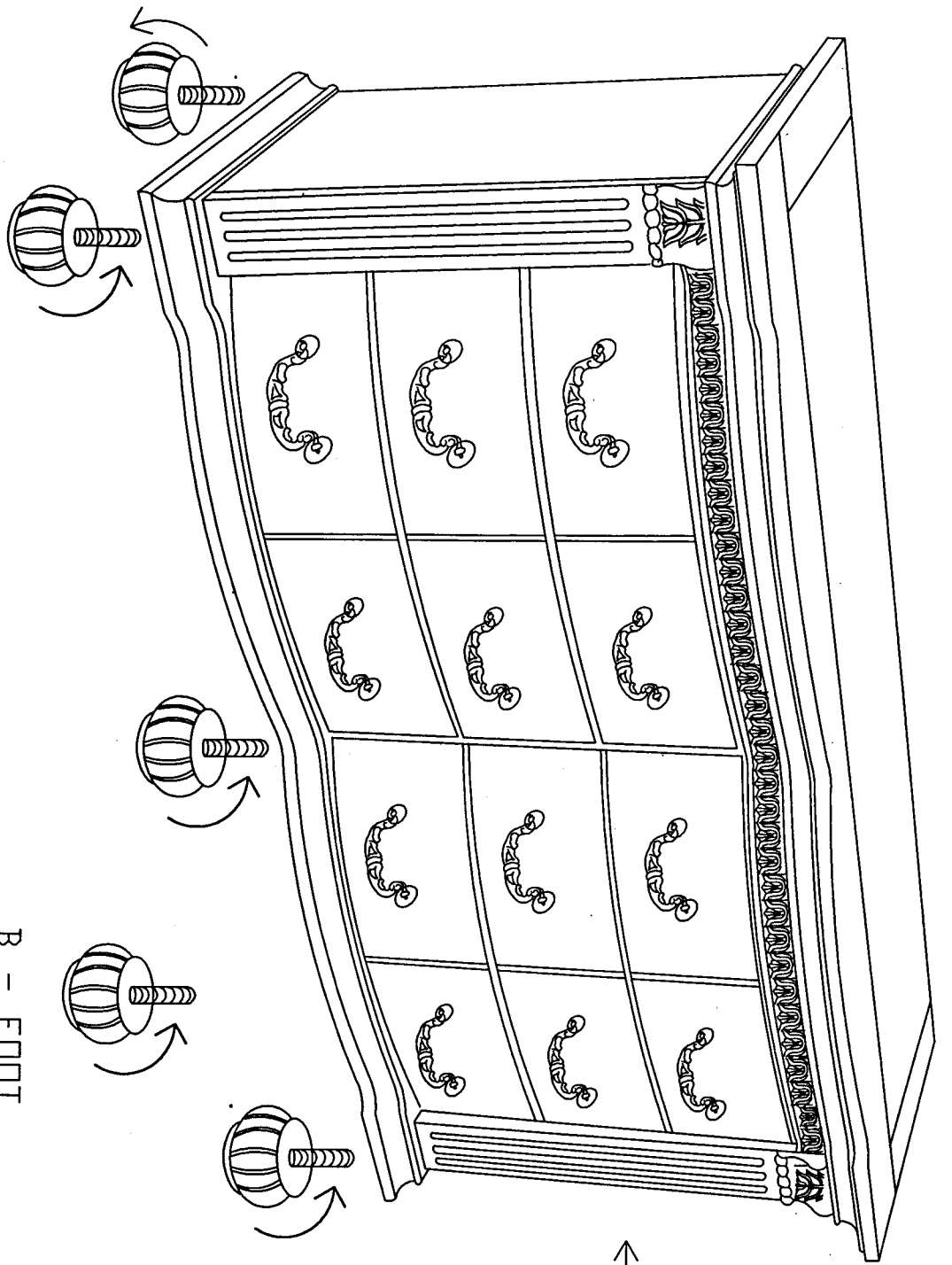
<u>NO</u>	<u>DESCRIPTION</u>	<u>Q'TY</u>
A	NIGHTSTAND	1
B	FOOT	4



← A TV CHEST

B - FOOT

<u>NO</u>	<u>DESCRIPTION</u>	<u>Q'TY</u>
A	CHEST	1
B	FOOT	4



B - FOOT

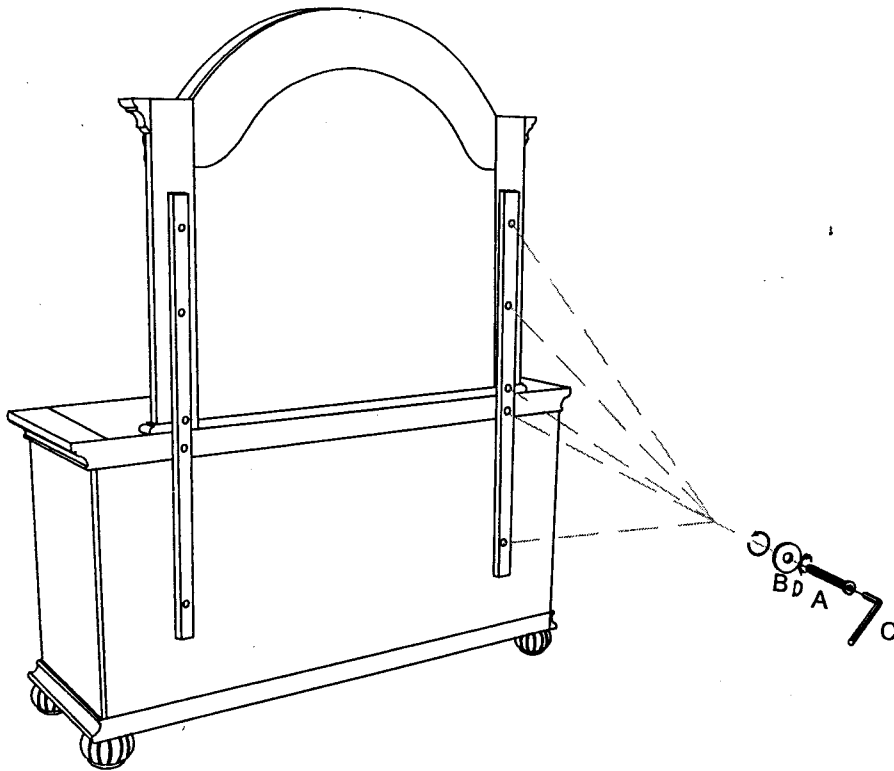
← A - DRESSER

NO	DESCRIPTION	Q'TY
A	DRESSER	1
B	FOOT	5

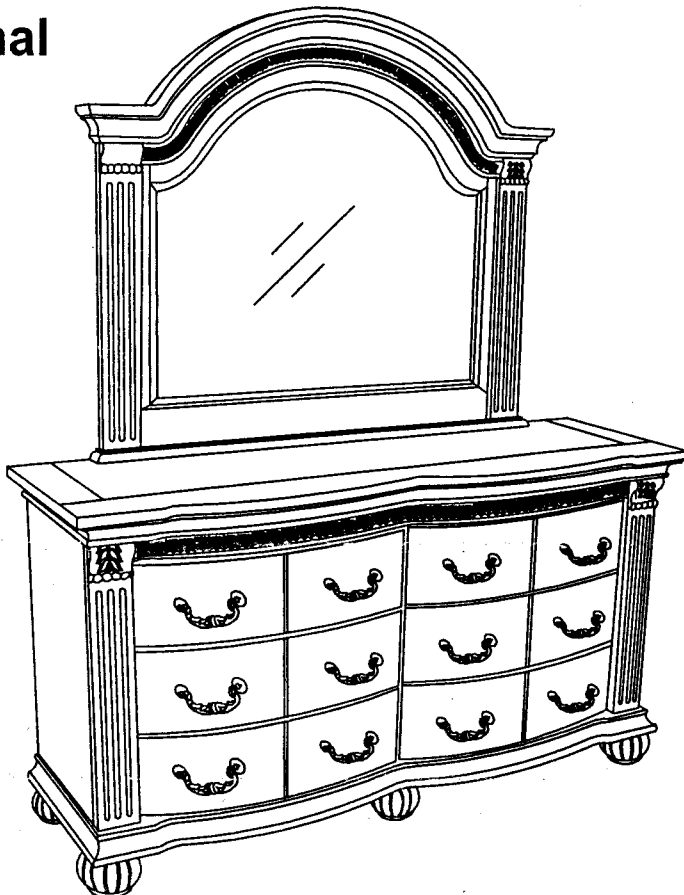
ASSEMBLY INSTRUCTIONS

FOR DRESSER & MIRROR





step 1

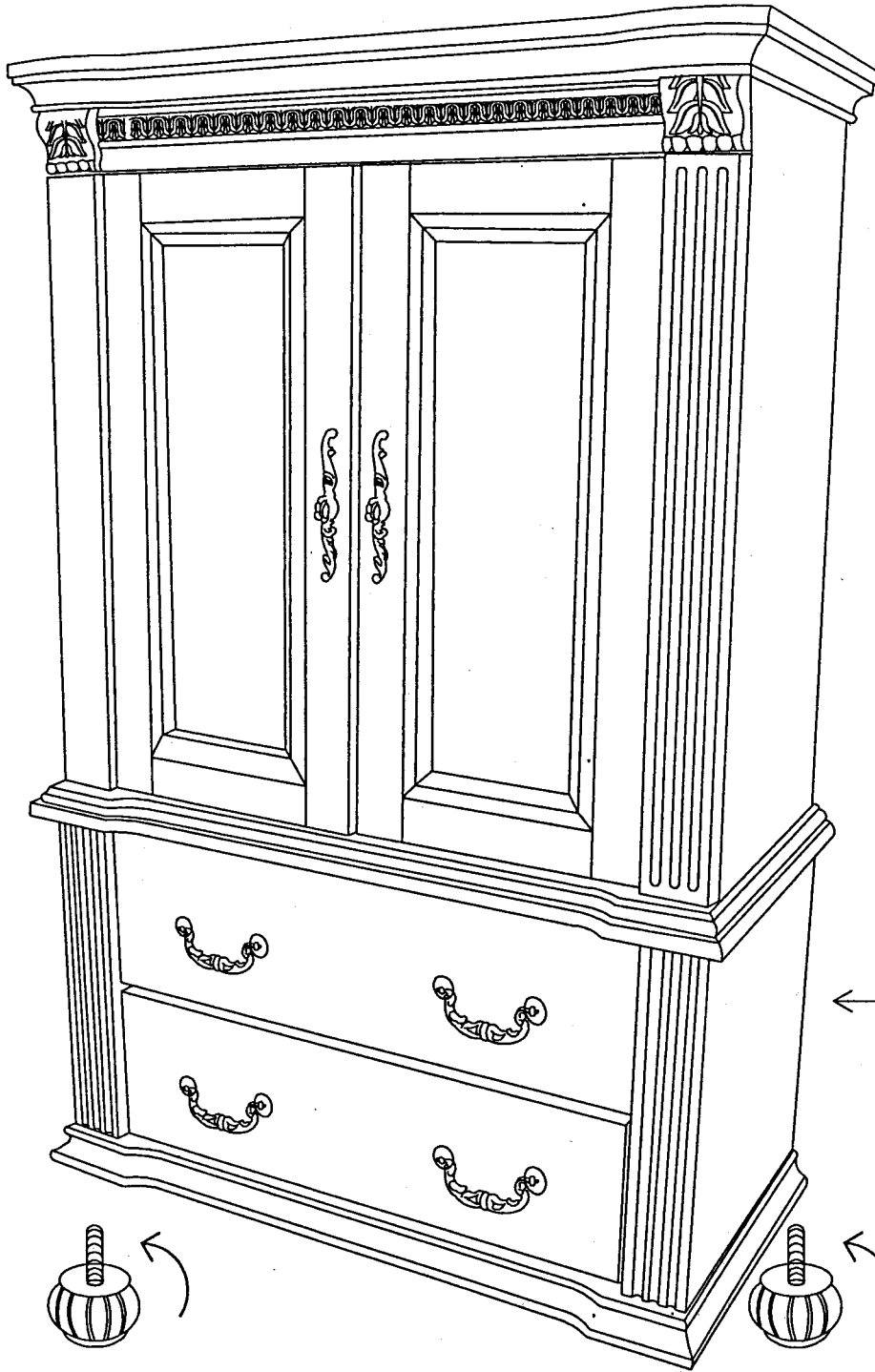


final



HARDWARE LIST:

NO.	DRAWING	Q'TY	DESCRIPTION
A		8PCS	BOLT(#5/16**1-3/8"L)
B		8PCS	WASHER(#5/16**16*2mm)
C		1PCS	ALLEN WRENCH(5mm)
D		8PCS	WASHER(# 8 M)



← A - TV BOTTOM

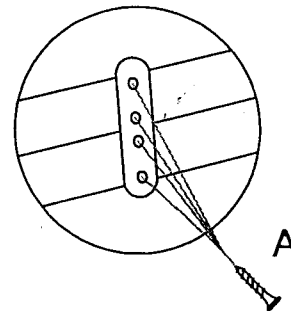
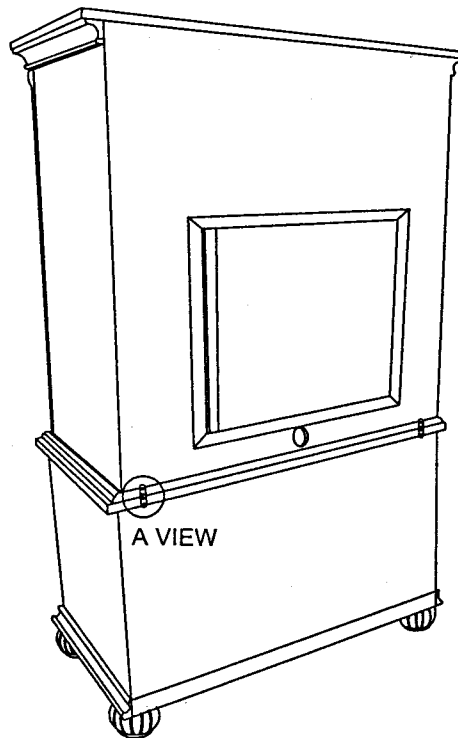
B - FOOT

NO	DESCRIPTION	Q'TY
A	TV BOTTOM	1
B	FOOT	4

ASSEMBLY INSTRUCTIONS

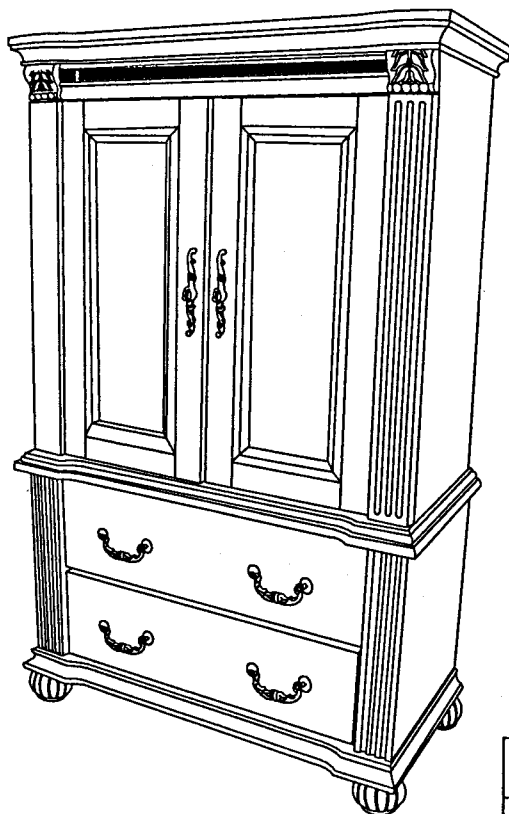
FOR TV ARMOIRE

step1

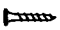



A VIEW ZOOM OUT

final



HARDWARE LIST:

A		8PCS	SCREW M4*1-1/8"
B		2PCS	connect metal piece