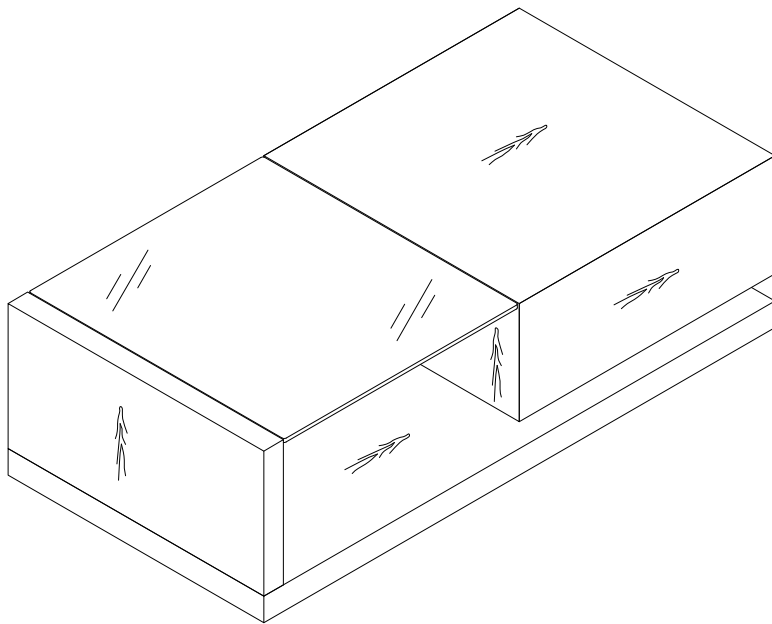


# ASSEMBLY INSTRUCTIONS



## TOOLS REQUIRED



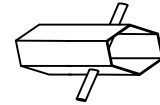
Allen Wrench

(Included)



Phillips Screwdriver

(Not Included)



Socket Wrench

(Included)



2 - People  
Recommended

## ASSEMBLY RATING



EASY —————> DIFFICULT

The Assembly Rating is a 5-point system showing the level of effort needed to assemble a specific product.



## **CHECK BEFORE STARTING**

### **Are you missing anything?**

Double-check all parts, hardware and accessories listed are all accounted for.

### **Check out our Quick Tips!**

We recommend reviewing the pre-assembly handouts. Even experts need a refresher now and then!

### **Should we send any replacements?**

Are there any irregularities or flaws in the parts? We can send replacements!

### **Prep Time!**

Please review the assembly instructions and all diagrams prior to assembling.

# PRE ASSEMBLY INTRODUCTION

We understand building ready-to-assemble furniture can be a challenging experience for some. To help avoid confusion, we have provided some helpful tips that may speed up the process.



## Teamwork

ALWAYS have at least two people to help with transporting and assembling the product to avoid potential injury and/or damage.



## Suitable Location

Assembling near the area of the intended location is highly recommended.



## Sufficient Space

Make sure you have enough space to move around during the assembly.



## Avoid Scratches

Use cardboard, blankets or a carpeted area while assembling furniture to prevent to prevent scratches and damages.



## Flat Surface

Make sure the furniture rests on a flat and level surface with each leg evenly touching the floor.

# ASSEMBLY AND CARE ADVICE



**FAILURE TO FOLLOW THE GUIDELINES BELOW MAY RESULT IN INJURY AND/OR PROPERTY DAMAGE.**



Position each part correctly and insert screws or bolts into their respective holes.



Turn clockwise to tighten and only tighten when step is completed or when instructed to do so.



Use the appropriate hand tools or power tools for assembly. Select steps, such as tightening screws and/or bolts, may require hand tools to avoid causing damage during assembly.



Save the instructions and store any supplied tools for later maintenance.



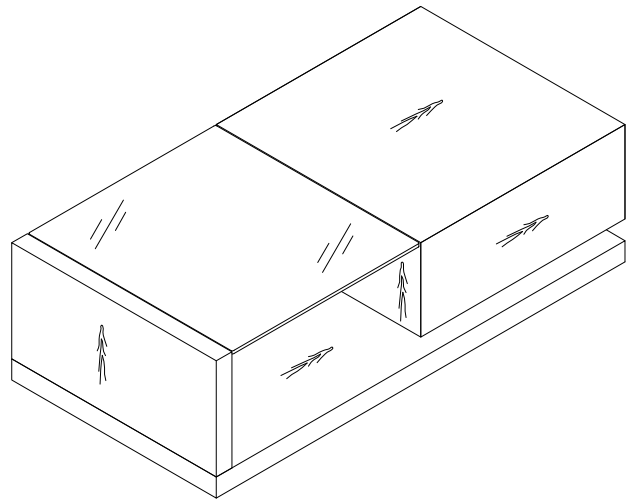
After two weeks, check and tighten any loose hardware and repeat again every six months thereafter.

**IT IS THE USER'S RESPONSIBILITY TO MAINTAIN THE FURNITURE. THE HARDWARE MAY LOOSEN OVER TIME AND MAY CAUSE THE FURNITURE TO BE WOBBLY AND UNABLE TO SUPPORT ITS INTENDED WEIGHT CAPACITY. THIS MAY LEAD TO COLLAPSE AND MAY CAUSE SERIOUS INJURY.**

# COFFEE TABLE

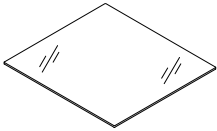


- Please keep instructions for future reference.
- Check the quantity and irregularity of parts and hardware before you start.



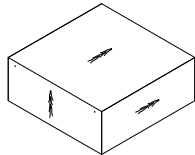
## PARTS

#1 1pc



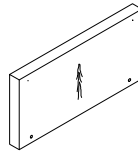
Glass

#2 1pc



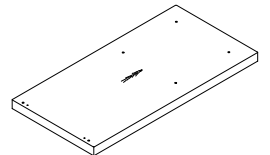
Box

#3 1pc



Left Upright Board

#4 1pc



Bottom Board

#5 2pcs



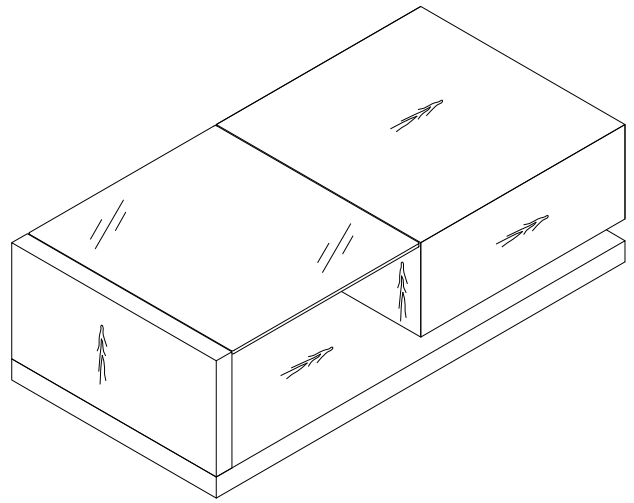
Connection

# COFFEE TABLE

CM4568C



- Please keep instructions for future reference.
- Check the quantity and irregularity of parts and hardware before you start.



## HARDWARE

#A 4pcs



Bolt 1/4" x 1-3/8"

#B 2pcs



Rod 1/4" x 3-1/8"

#C 6pcs



Washer  $\text{\O}16 \times \text{\O}7 \times 1.0$

#D 2pcs



Nut M6

#E 2pcs



Hammer Nut

#F 2pcs



Set Screw  $\text{\O}6 \times 30$

#G 4pcs



Screw M5 x 15

#H 4pcs



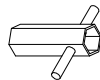
Sucker

#I 6pcs



Adjustable Foot

#J 1pc



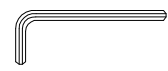
Socket Wrench M6

#K 2pcs



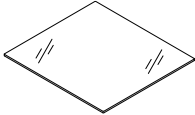
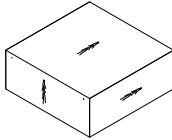
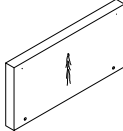
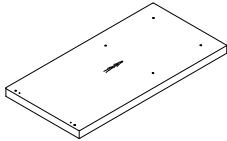













$\text{\O}20$  Sealing Sticker

#L 1pc



Allen Wrench M4

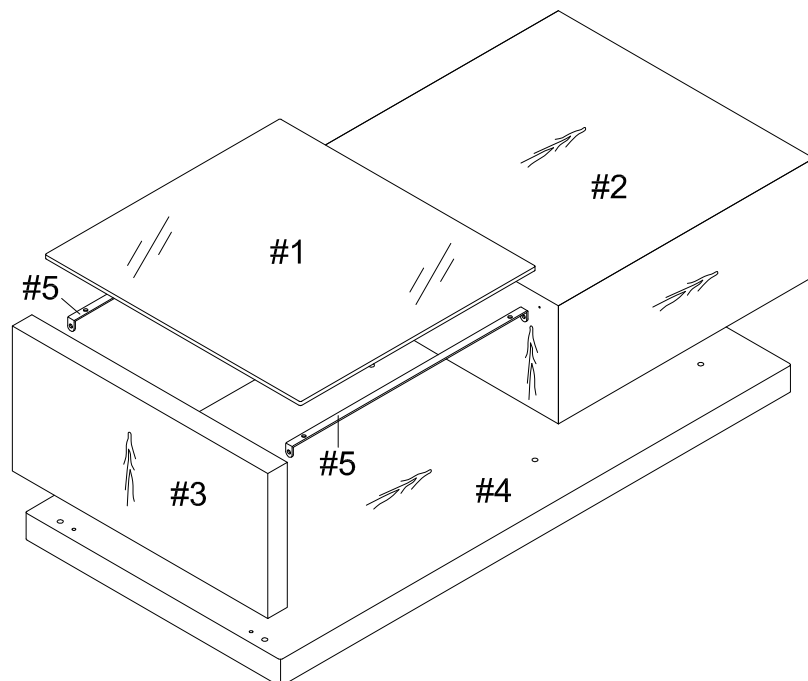
## CM4568C Points 2 cartons

| Carton    | Designation        |    | Part  | Hardware   |
|-----------|--------------------|----|---|--|
| CM4568C-1 | Glass              | #1 |       |  |
|           | Box                | #2 |       |  |
|           | Left Upright Board | #3 |       |  |
| CM4568C-2 | Bottom Board       | #4 |     |  #A x 4pcs<br> #B x 2pcs<br> #C x 6pcs<br> #D x 2pcs<br> #E x 2pcs<br> #F x 2pcs<br> #G x 4pcs<br> #H x 4pcs<br> #I x 6pcs<br> #J x 1pc<br> #K x 2pcs<br> #L x 1pc |
|           | Connection         | #5 |  x2 |  |

# ASSEMBLY INSTRUCTIONS

1

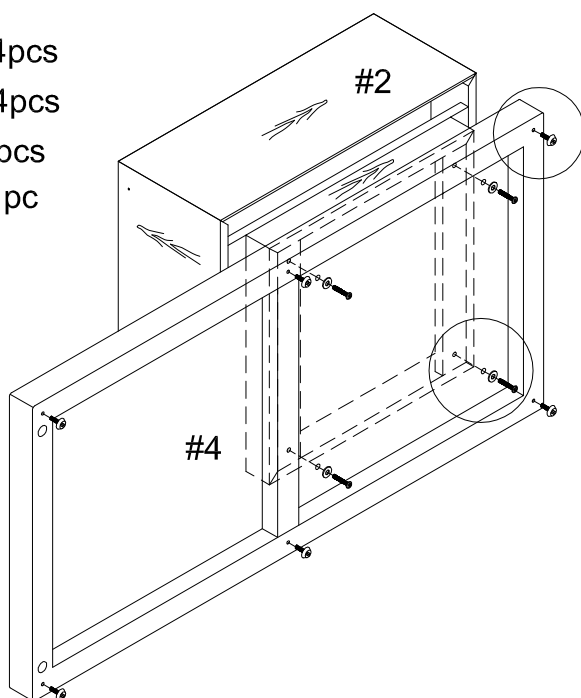
Exploded View



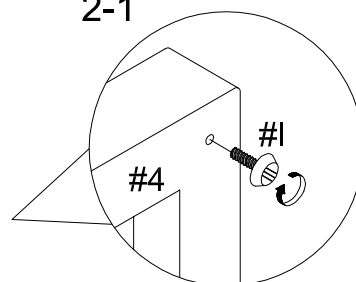
2

- Part #2 x 1pc
- Part #4 x 1pc
- Hardware #A x 4pcs
- Hardware #C x 4pcs
- Hardware #I x 6pcs
- Hardware #L x 1pc

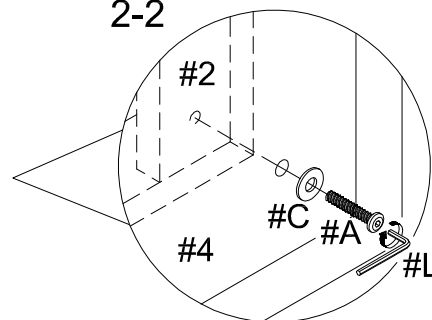
Align box (#2) to the bottom board (#4), then secure by using bolts (#A) with washers (#C). Attach levelers (#I) onto the bottom board (#4).



2-1



2-2



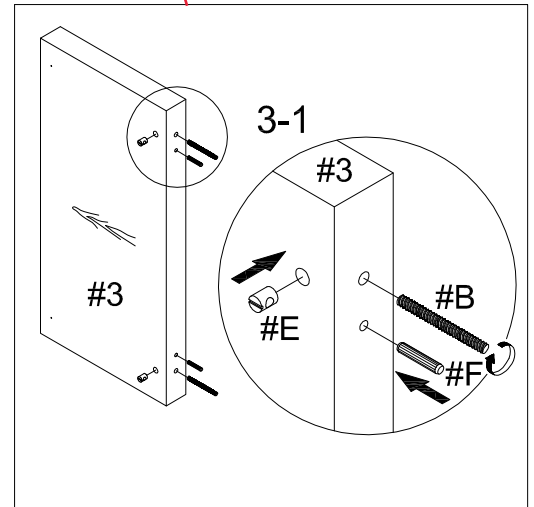
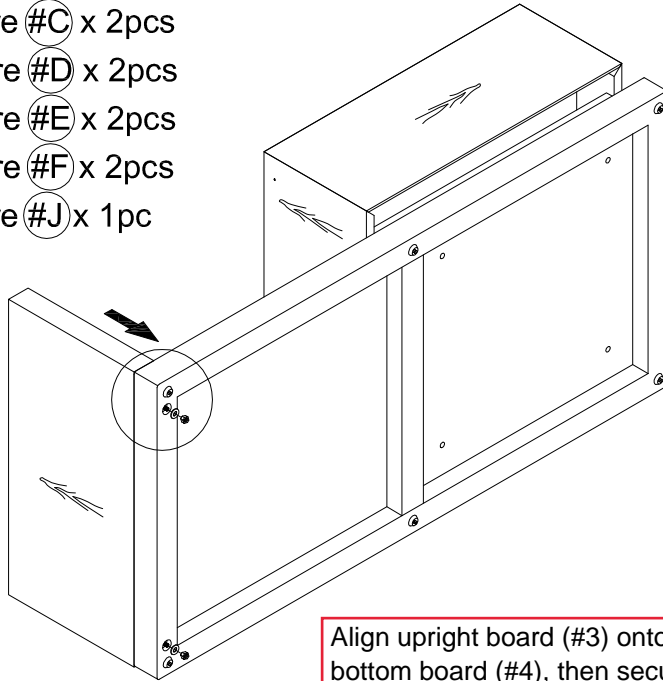


# ASSEMBLY INSTRUCTIONS

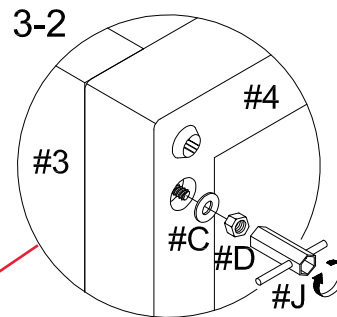
Connect threaded bolts (#B) to barrel nuts (#E) through the upright board (#3). Attach dowels (#F) onto the upright board (#3).

## 3

- Part #3 x 1pc
- Hardware #B x 2pcs
- Hardware #C x 2pcs
- Hardware #D x 2pcs
- Hardware #E x 2pcs
- Hardware #F x 2pcs
- Hardware #J x 1pc

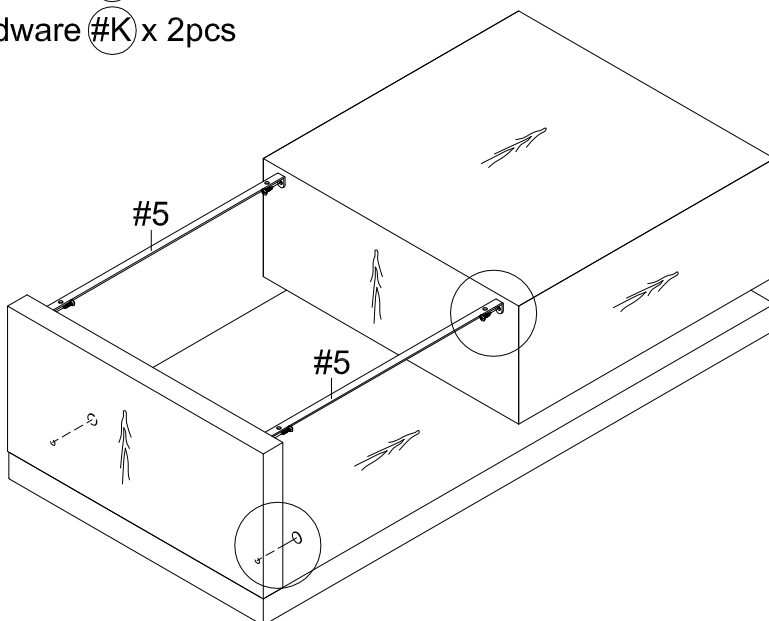


Align upright board (#3) onto bottom board (#4), then secure by using nuts (#D) with washers (#C).

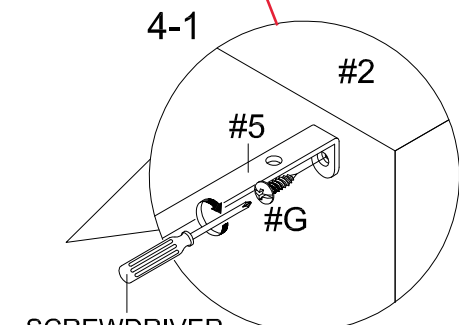


## 4

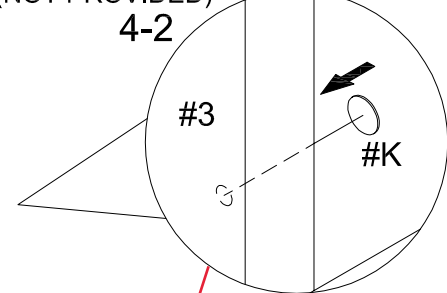
- Part #5 x 2pcs
- Hardware #G x 4pcs
- Hardware #K x 2pcs



Align connections (#5) to the frame, then secure by using screws (#G).



SCREWDRIVER (NOT PROVIDED)



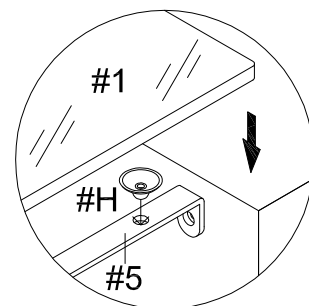
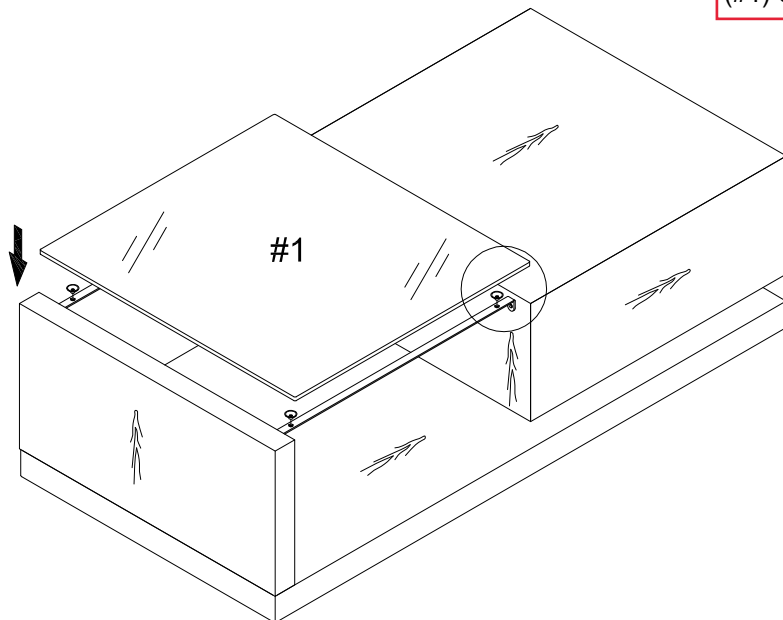
Cover barrel nuts by using stickers (#K).

# ASSEMBLY INSTRUCTIONS

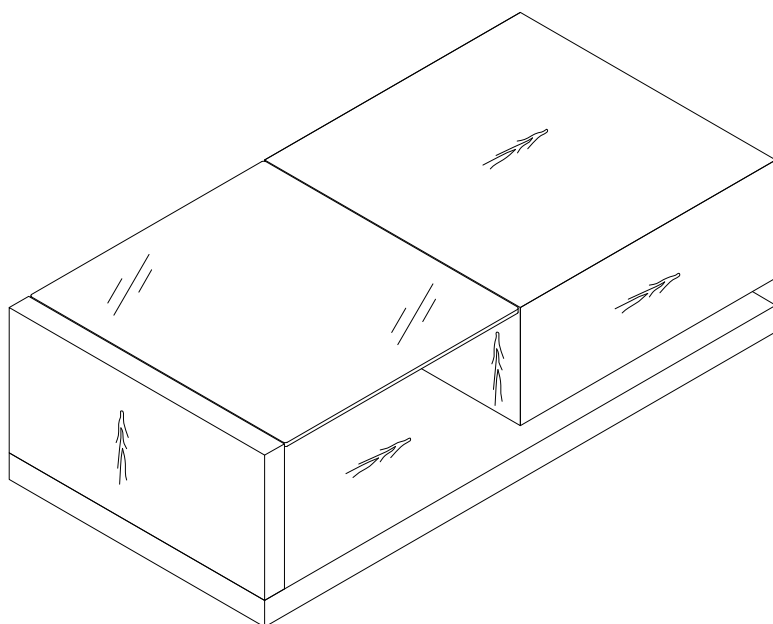
## 5

Part #1 x 1pc  
Hardware #H x 4pcs

Attach suckers (#H) to the connections (#5), then place glass (#1) onto the top.



## 6



### ASSEMBLY COMPLETED



Please ensure the furniture rests on an even and flat surface. If the product wobbles or feels loose, double-check all bolts and/or screws are properly tightened and secured.



#### Keep this handy!

Please retain this instruction manual and any order-related information for future reference.



#### Lift, don't drag!

To avoid damage to product please always LIFT the product when transporting or adjusting the placement.