

MÉL Co.  
MUSE & LOUNGE™

KD-OS1101-4PK



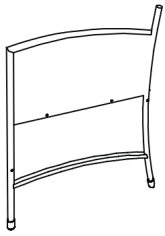
## ASSEMBLY INSTRUCTIONS

4-PIECE OUTDOOR CONVERSATION SET

# PARTS

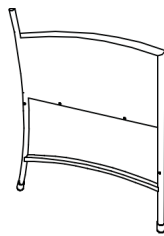
Check that you've received  
all parts listed below.

Ⓐ



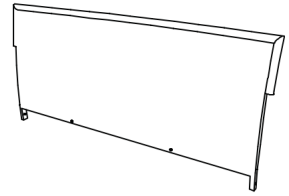
(3 pcs)

Ⓑ



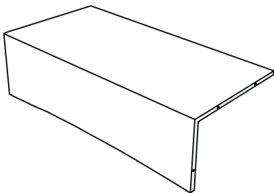
(3 pcs)

Ⓒ



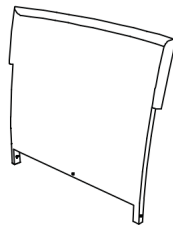
(1 pc)

Ⓓ



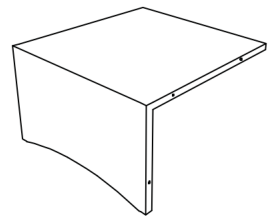
(1 pc)

Ⓔ



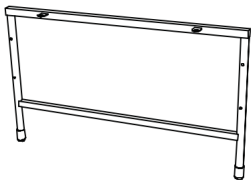
(2 pcs)

Ⓕ



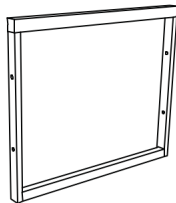
(2 pcs)

Ⓖ



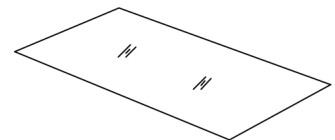
(2 pcs)

Ⓖ



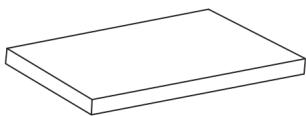
(2 pcs)

Ⓖ



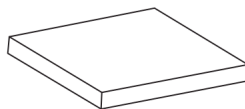
(1 pc)

Ⓙ



(1 pc)

Ⓚ

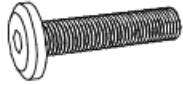


(2 pcs)

# HARDWARE

Check that you've received all hardware listed below.

① M6x30 mm



(14 pcs)

② M6x40 mm



(22 pcs)

③ Ø6x14x1 mm



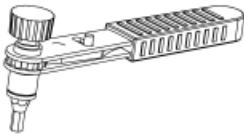
(36 pcs)

④ Allen key 4x98 mm



(2 pcs)

⑤ Torque wrench



(1 pc)

Missing something? Email us at [hello@museandlounge.com](mailto:hello@museandlounge.com)

**Torque Wrench**

**How to Use:**

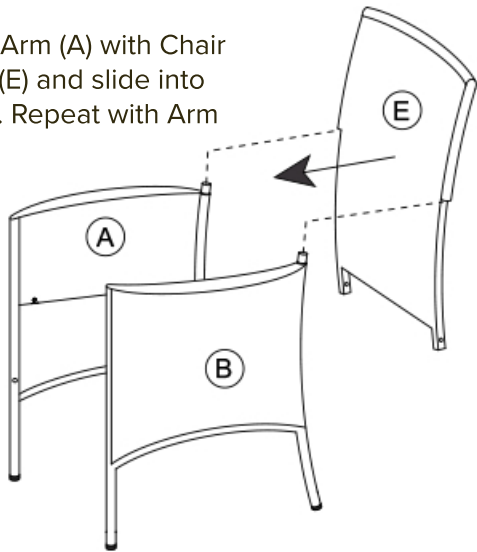
When turning the screw clockwise, please turn the "P" to the left side.

When turning the screw counterclockwise, please turn the "P" to the right side.

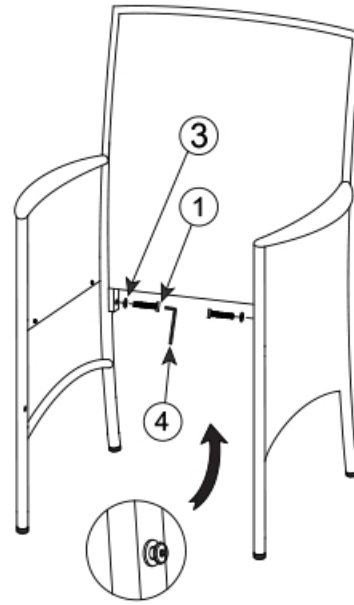
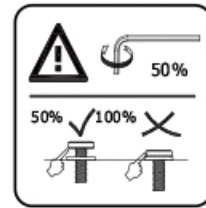
**NOTE:** A Torque Wrench is the recommended alternative to an Allen key and is typically easier to use.

# STEP 1 | Repeat for each chair

Align Arm (A) with Chair Back (E) and slide into place. Repeat with Arm (B).



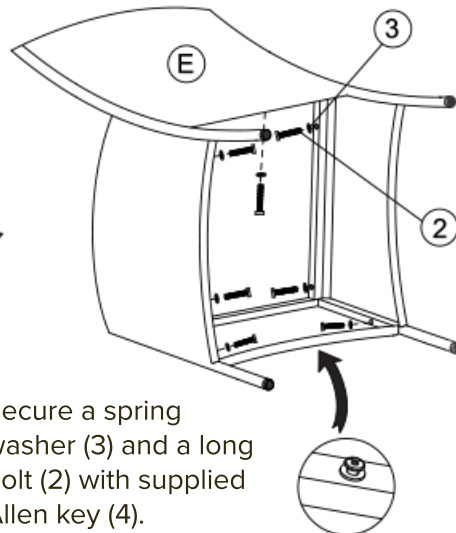
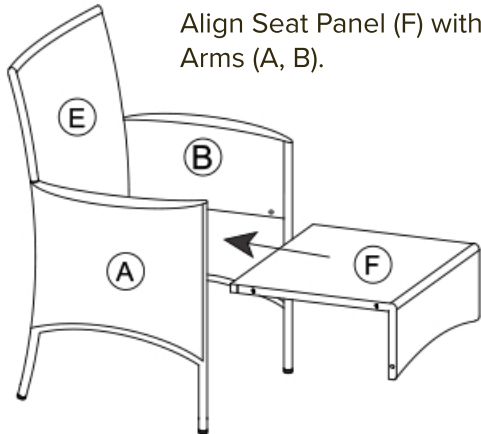
Tighten bolts halfway



Secure a spring washer (3) and short bolt (1) to each back leg with supplied Allen key (4).

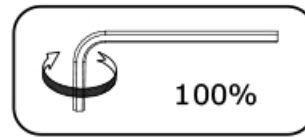
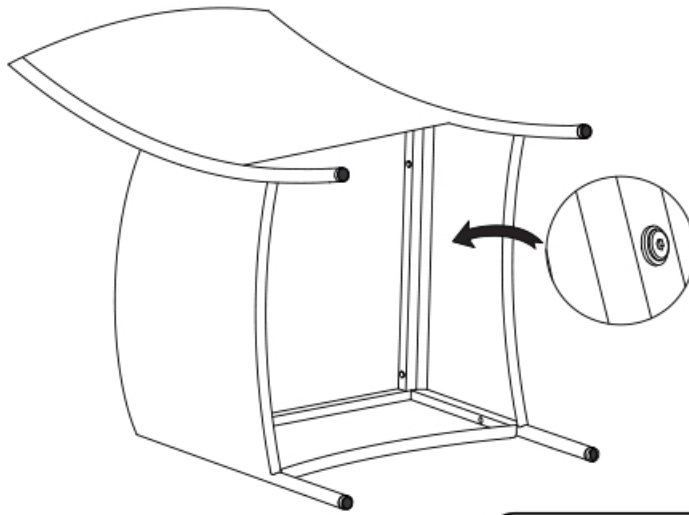
# STEP 2 | Repeat for each chair

Align Seat Panel (F) within Arms (A, B).



Secure a spring washer (3) and a long bolt (2) with supplied Allen key (4).

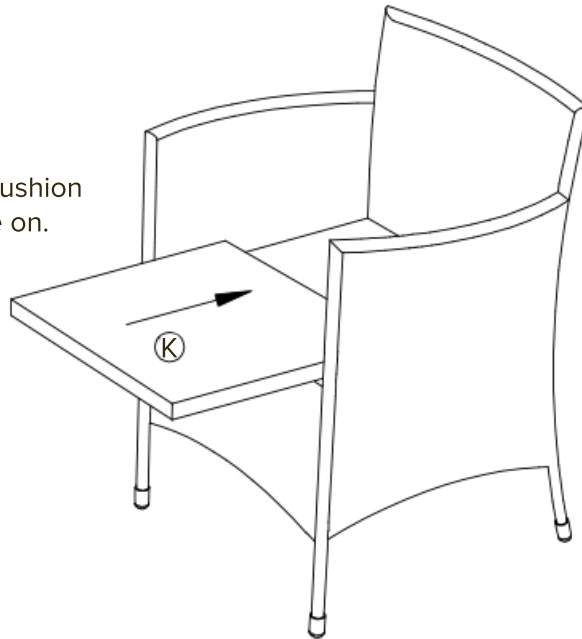
# STEP 3 | Repeat for each chair



Fully tighten all bolts.

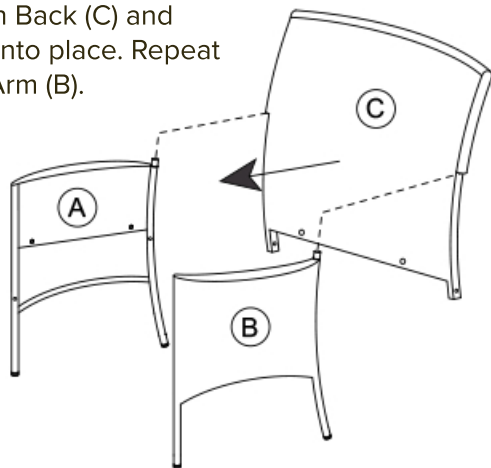
# STEP 4 | Repeat for each chair

Place Seat Cushion (K) and move on.

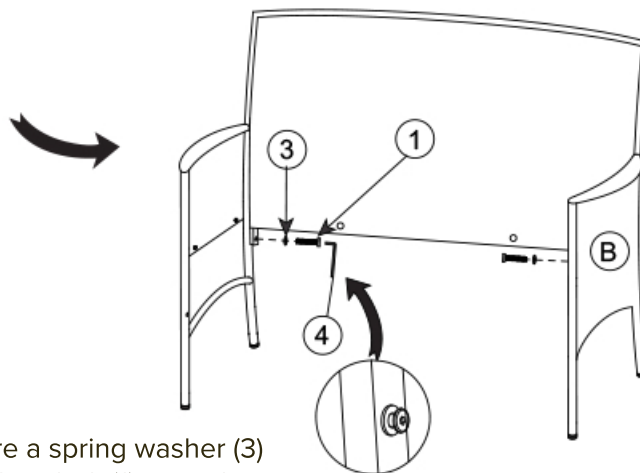


# STEP 5

Align Arm (A) with Bench Back (C) and slide into place. Repeat with Arm (B).



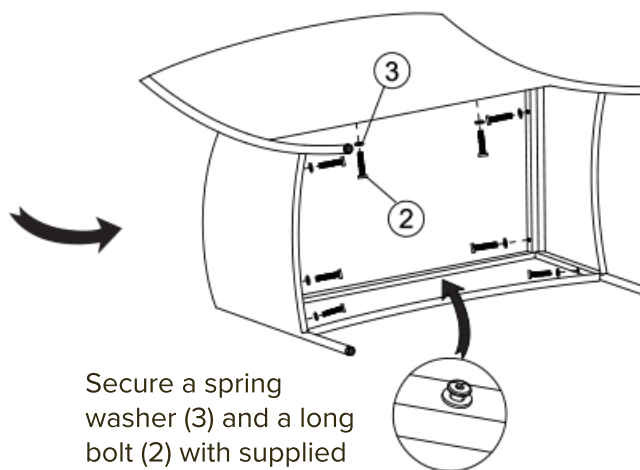
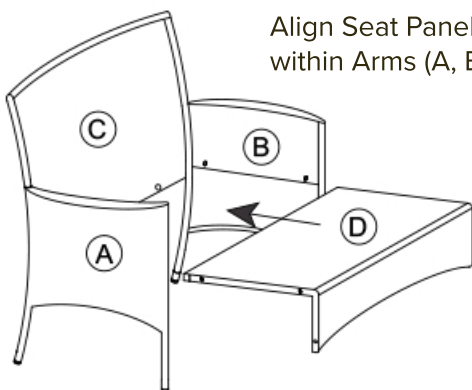
Tighten bolts halfway



Secure a spring washer (3) and short bolt (1) to each back leg with supplied Allen key (4).

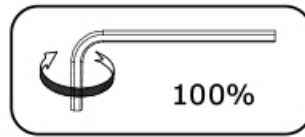
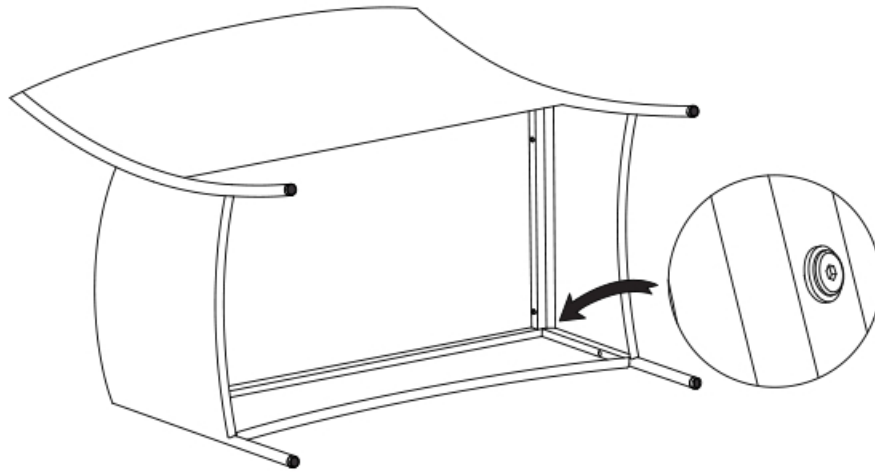
# STEP 6

Align Seat Panel (D) within Arms (A, B).



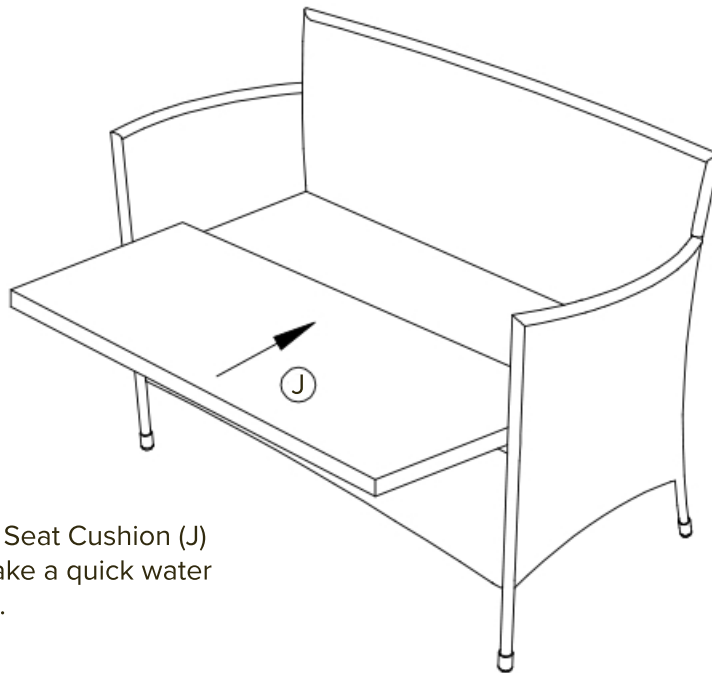
Secure a spring washer (3) and a long bolt (2) with supplied Allen key (4).

# STEP 7



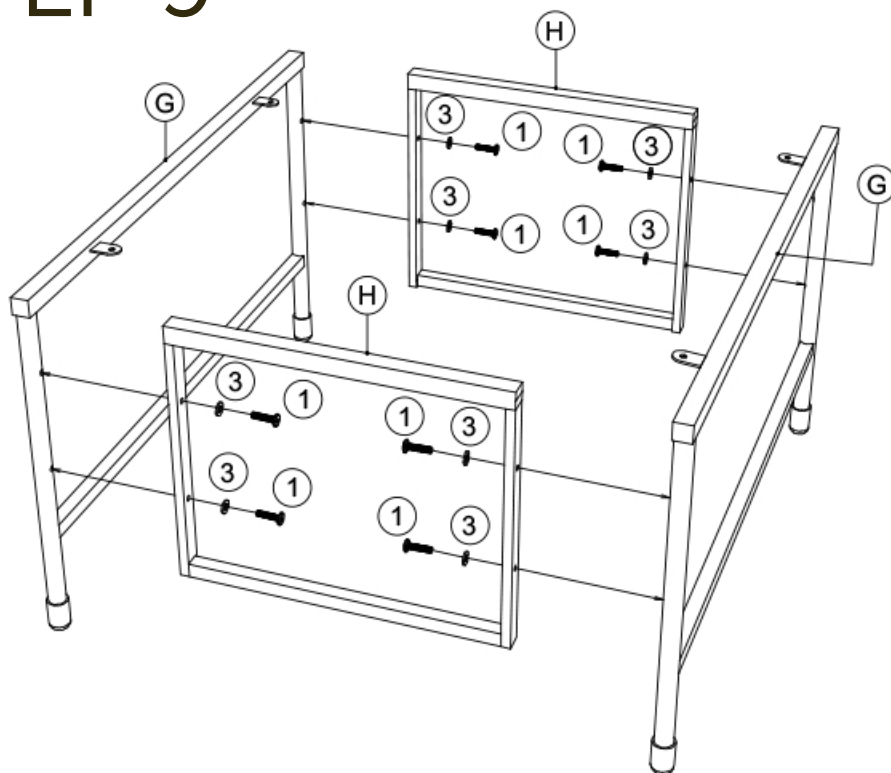
Fully tighten  
all bolts.

# STEP 8



Place Seat Cushion (J)  
and take a quick water  
break.

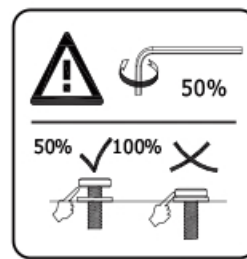
# STEP 9



Align a Table Leg Panel (G) with a Table Side Panel (H).

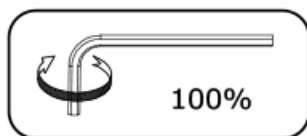
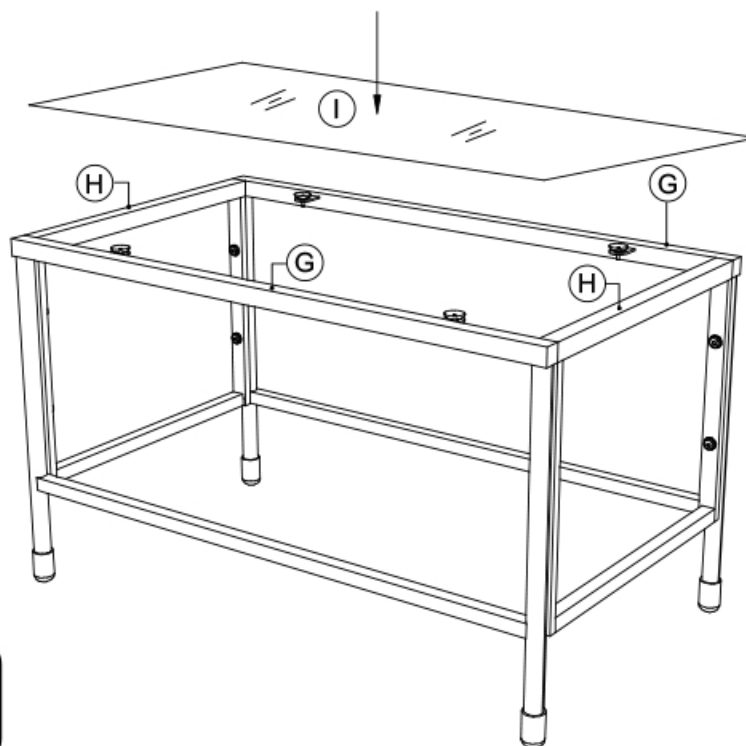
Secure two spring washers (3) and short bolts (1) to each leg.

Tighten each bolt halfway. Repeat each remaining panel and remember - only tighten halfway.



# STEP 10

Place Table Top (I) and ensure the top is level before tightening all bolts.



Enjoy.



# Need some help?



1-888-980-5122



@museandloungeco



hello@museandlounge.com



## CARE INSTRUCTIONS

Outdoor furniture naturally weathers and shows color variation over time. We recommend the following care for the best results:

- Wipe with a soft cloth.
- Wash with mild soap and water as needed; do not use abrasive cleaners.
- Cover furniture with an outdoor cover (not included) when not in use.
- Store in a dry, covered area during inclement weather or winter season.



After assembly is completed, save these instructions and any included tools for future maintenance or re-assembly.