

ASSEMBLY INSTRUCTIONS

OUTDOOR COFFEE TABLE

PARTS

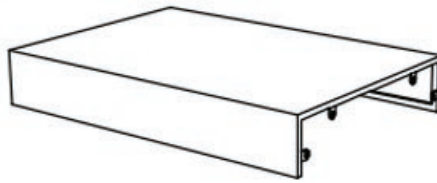
Check that you've received all parts listed below.

Ⓐ



(2 pcs)

Ⓑ



(1 pc)

Ⓒ



(1 pc)

HARDWARE

Check that you've received all hardware listed below.

① M6x25 mm



(8 pcs)

② Ø6x14x1 mm



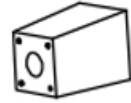
(8 pcs)

③ M6x55 mm



(4 pcs)

④ 45x45x65 mm



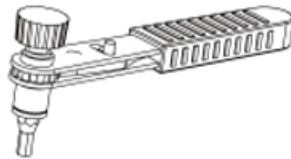
(4 pcs)

⑤ Allen key 4x98 mm



(1 pc)

⑥ Torque wrench



(1 pc)

Missing something? Email us at hello@museandlounge.com

Torque Wrench

How to Use:

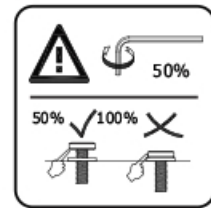
When turning the screw clockwise, please turn the "P" to the left side.

When turning the screw counterclockwise, please turn the "P" to the right side.

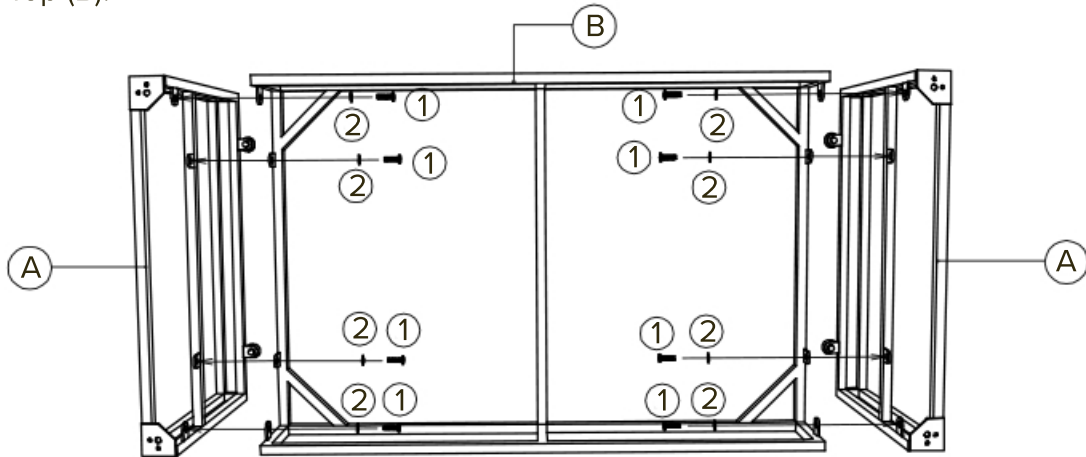
NOTE: A Torque Wrench is the recommended alternative to an Allen key and is typically easier to use.

STEP 1

Tighten bolts halfway



Align Table Leg Panel (A) with Table Top (B).

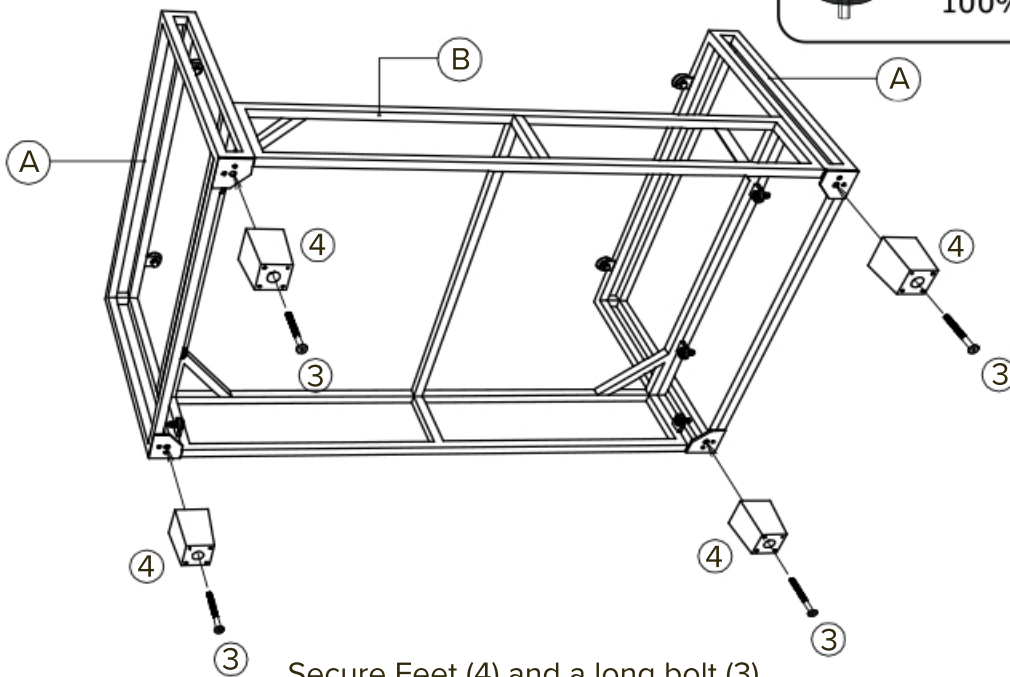


Secure a spring washer (2) and a bolt (1) with supplied Allen key (5).

STEP 2

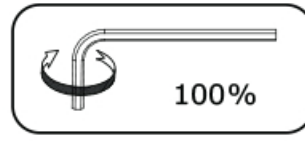


Fully tighten all bolts.



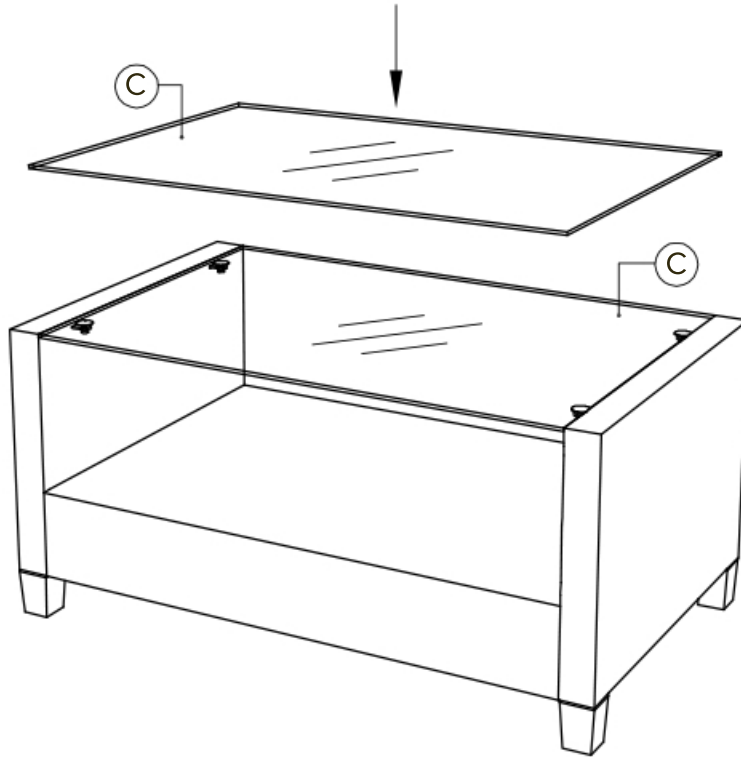
Secure Feet (4) and a long bolt (3) using supplied Allen key (5).

STEP 3



Fully tighten
all bolts.

Place Glass Top (C) and
ensure the top is level
before tightening all bolts.



Need some help?



1-888-980-5122



@museandloungeco



hello@museandlounge.com



CARE INSTRUCTIONS

Outdoor furniture naturally weathers and shows color variation over time. We recommend the following care for the best results:

- Wipe with a soft cloth.
- Wash with mild soap and water as needed; do not use abrasive cleaners.
- Cover furniture with an outdoor cover (not included) when not in use.
- Store in a dry, covered area during inclement weather or winter season.



After assembly is completed, save these instructions and any included tools for future maintenance or re-assembly.

V.220518