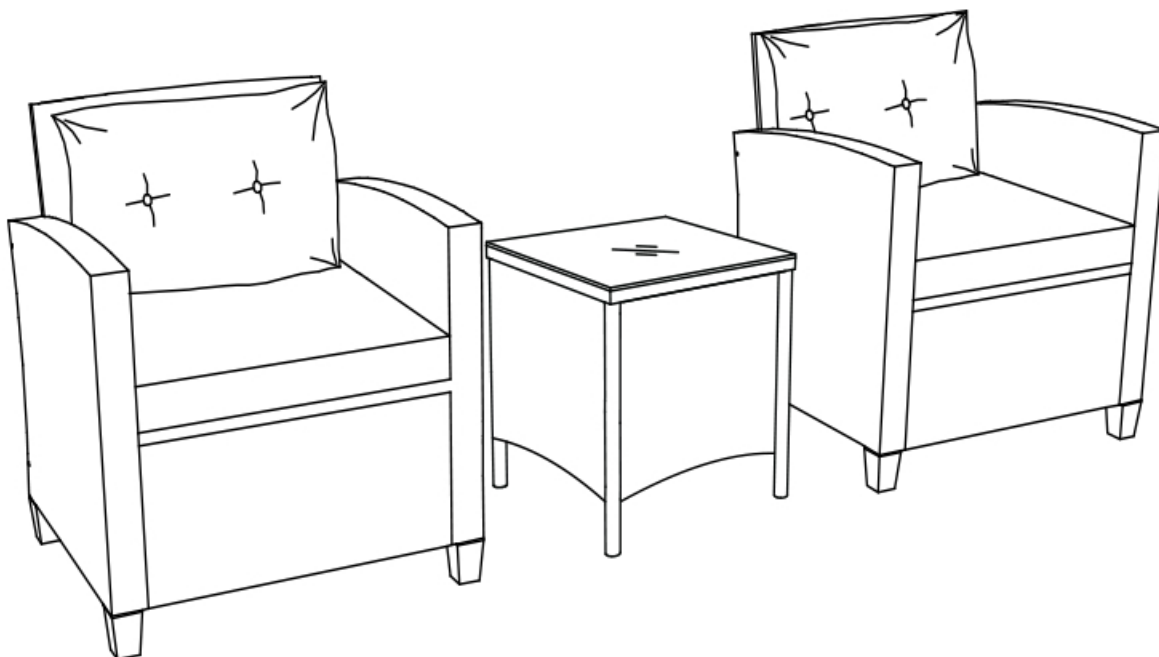


MÉL Co.  
MUSE & LOUNGE™

KD-OS1111-3PK



# ASSEMBLY INSTRUCTIONS

3-PIECE OUTDOOR CONVERSATION SET

# PARTS

Check that you've received all parts listed below.

Ⓐ



(2 pcs)

Ⓑ



(2 pcs)

Ⓒ



(2 pcs)

Ⓓ



(2 pcs)

Ⓔ



(2 pcs)

Ⓕ



(2 pcs)

Ⓖ



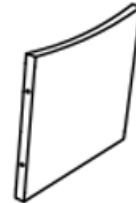
(2 pcs)

Ⓖ



(2 pcs)

Ⓖ



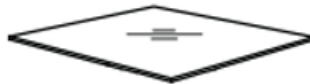
(2 pcs)

Ⓙ



(1 pc)

Ⓚ



(1 pc)

# HARDWARE

Check that you've received all hardware listed below.

① M6x70 mm



(8 pcs)

② M6x25 mm



(20 pcs)

③ Ø6x14x1 mm



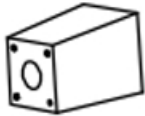
(42 pcs)

④ M6x55 mm



(8 pcs)

⑤ 45x45x65 mm



(8 pcs)

⑥ M6x30 mm



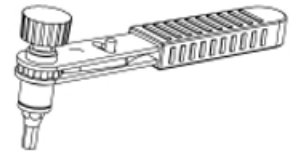
(14 pcs)

⑦ Allen key 4x98 mm



(2 pcs)

⑧ Torque wrench



(1 pc)

Missing something? Email us at [hello@museandlounge.com](mailto:hello@museandlounge.com)

**Torque Wrench**

How to Use:

When turning the screw clockwise, please turn the "P" to the left side.

When turning the screw counterclockwise, please turn the "P" to the right side.

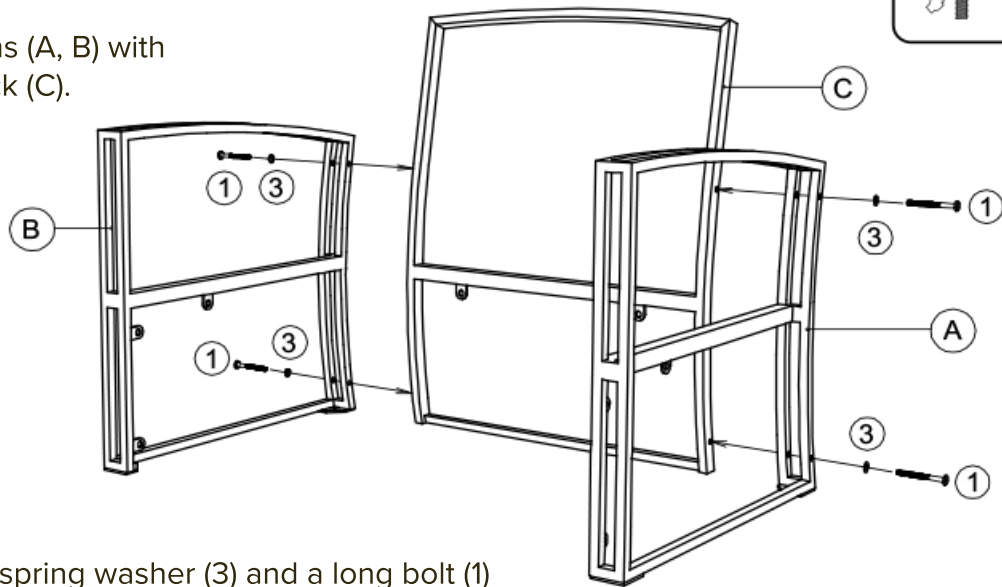
NOTE: A Torque Wrench is the recommended alternative to an Allen key and is typically easier to use.

# STEP 1 | Repeat for each chair.

Tighten bolts halfway



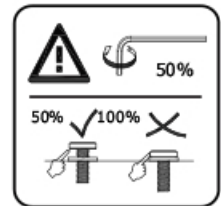
Align Arms (A, B) with Chair Back (C).



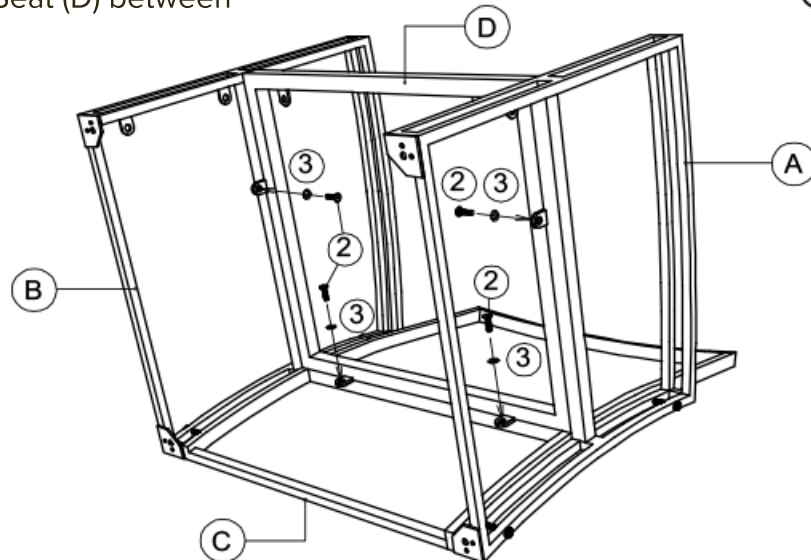
Secure a spring washer (3) and a long bolt (1) with supplied Allen key (7).

# STEP 2 | Repeat for each chair.

Tighten bolts halfway



Align Chair Seat (D) between Arms (A, B).

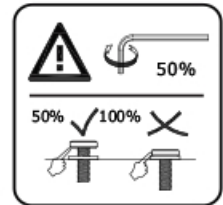


Secure a spring washer (3) and a short bolt (2) with supplied Allen key (7).

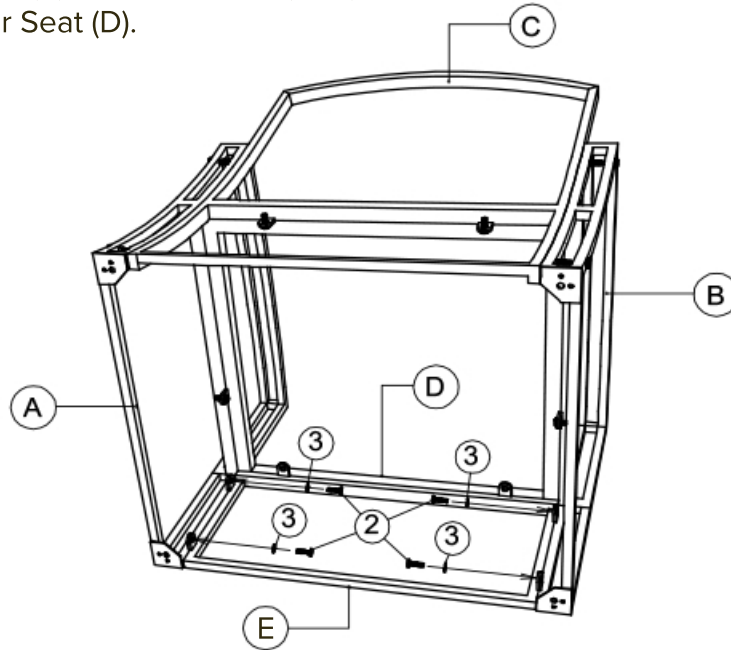
# STEP 3

Repeat for each chair.

Tighten bolts halfway



Align Chair Panel (E) between Arms (A, B) and below Chair Seat (D).



Secure a spring washer (3) and a short bolt (2) with supplied Allen key (7).

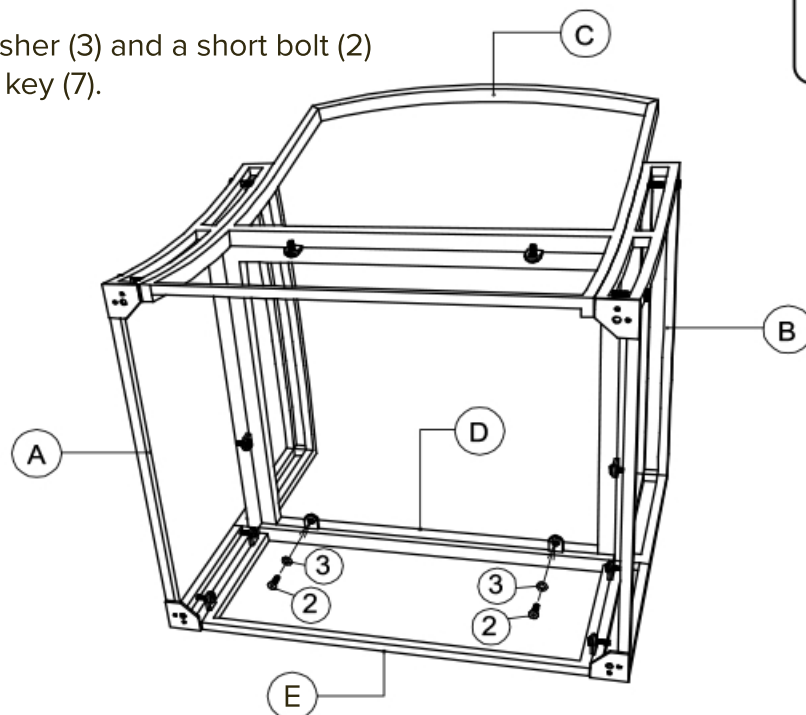
# STEP 4

Repeat for each chair.

Tighten bolts halfway

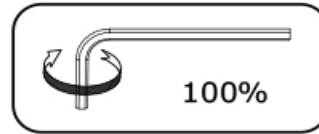


Secure a spring washer (3) and a short bolt (2) with supplied Allen key (7).

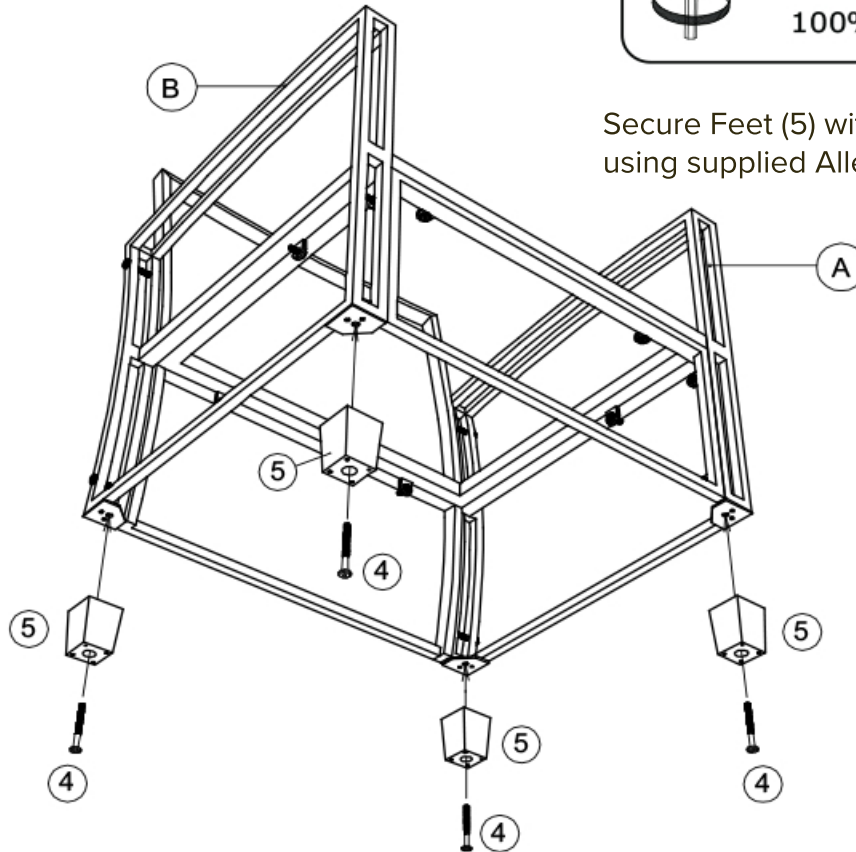


# STEP 5

Repeat for each chair.

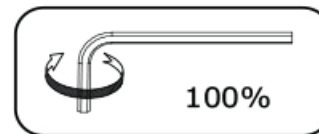


Fully tighten all bolts.

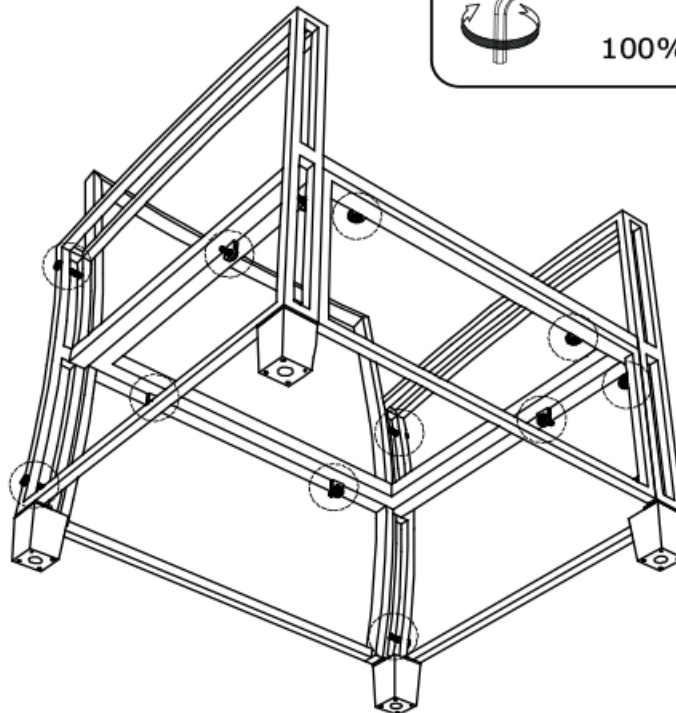


# STEP 6

Repeat for each chair.



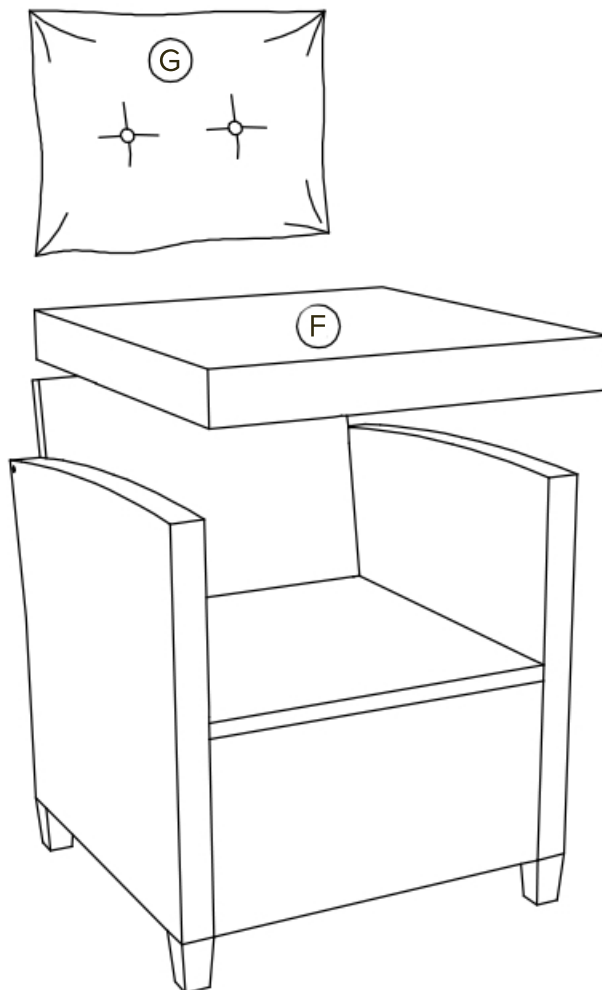
Fully tighten all bolts.



# STEP 7

Repeat for each chair.

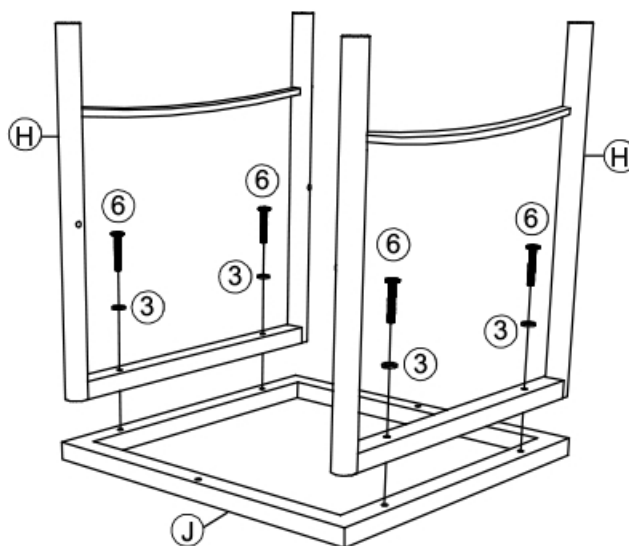
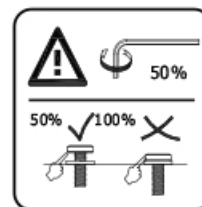
Place Chair Seat Cushion (F), Back Pillow (G) and take a quick water break.



# STEP 8

Align Table Leg Panel (H) with Top Frame (J).

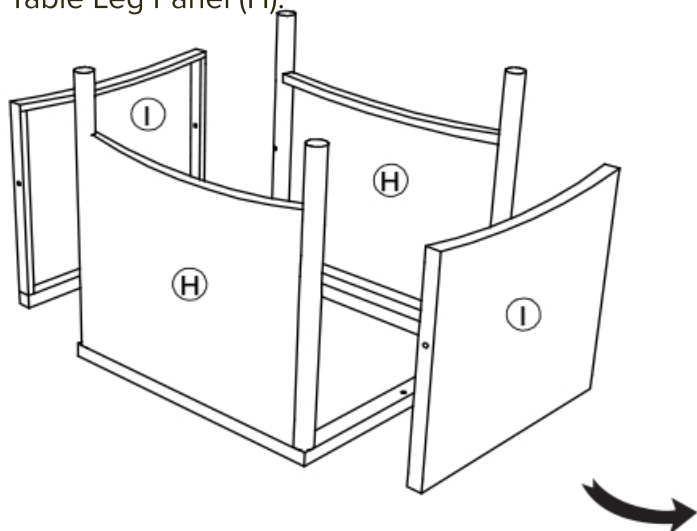
Tighten bolts halfway



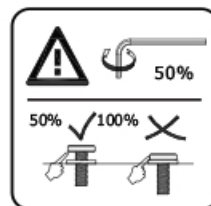
Secure a spring washer (3) and a bolt (6) with supplied Allen key (7).

# STEP 9

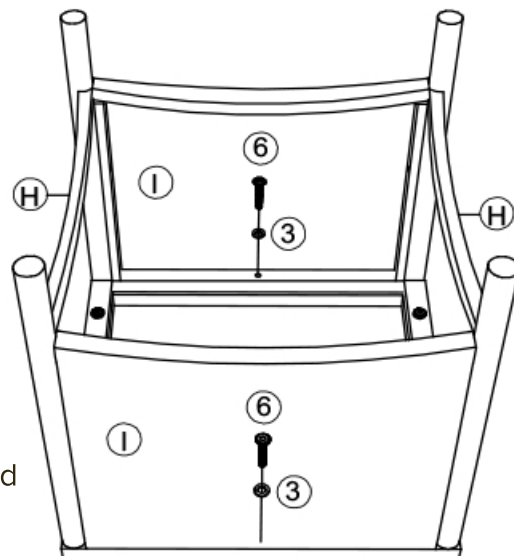
Align Table Side Panel (I) between Table Leg Panel (H).



Tighten bolts halfway

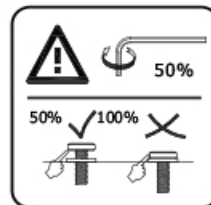


Secure a spring washer (3) and a short bolt (6) with supplied Allen key (7).

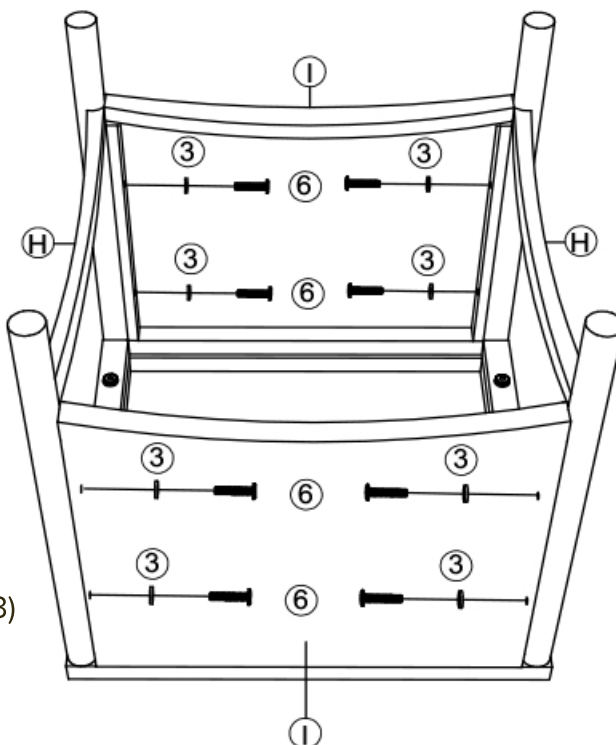


# STEP 10

Tighten bolts halfway



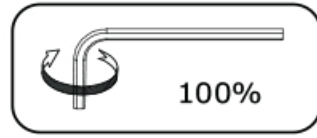
Secure a spring washer (3) and a short bolt (6) with supplied Allen key (7).



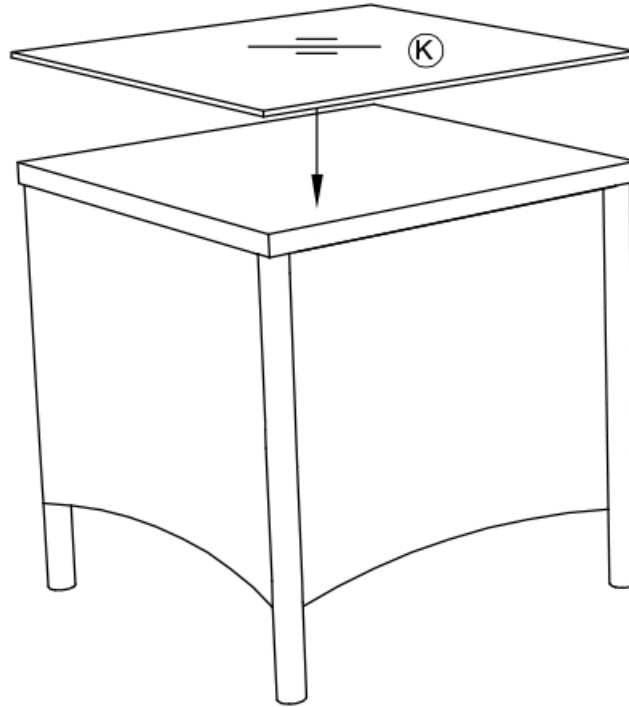


# STEP 11

Place Glass Top (K) and ensure the top is level before tightening all bolts.



Fully tighten all bolts.



# Need some help?



1-888-980-5122



@museandloungeco



hello@museandlounge.com



## CARE INSTRUCTIONS

Outdoor furniture naturally weathers and shows color variation over time. We recommend the following care for the best results:

- Wipe with a soft cloth.
- Wash with mild soap and water as needed; do not use abrasive cleaners.
- Cover furniture with an outdoor cover (not included) when not in use.
- Store in a dry, covered area during inclement weather or winter season.



After assembly is completed, save these instructions and any included tools for future maintenance or re-assembly.