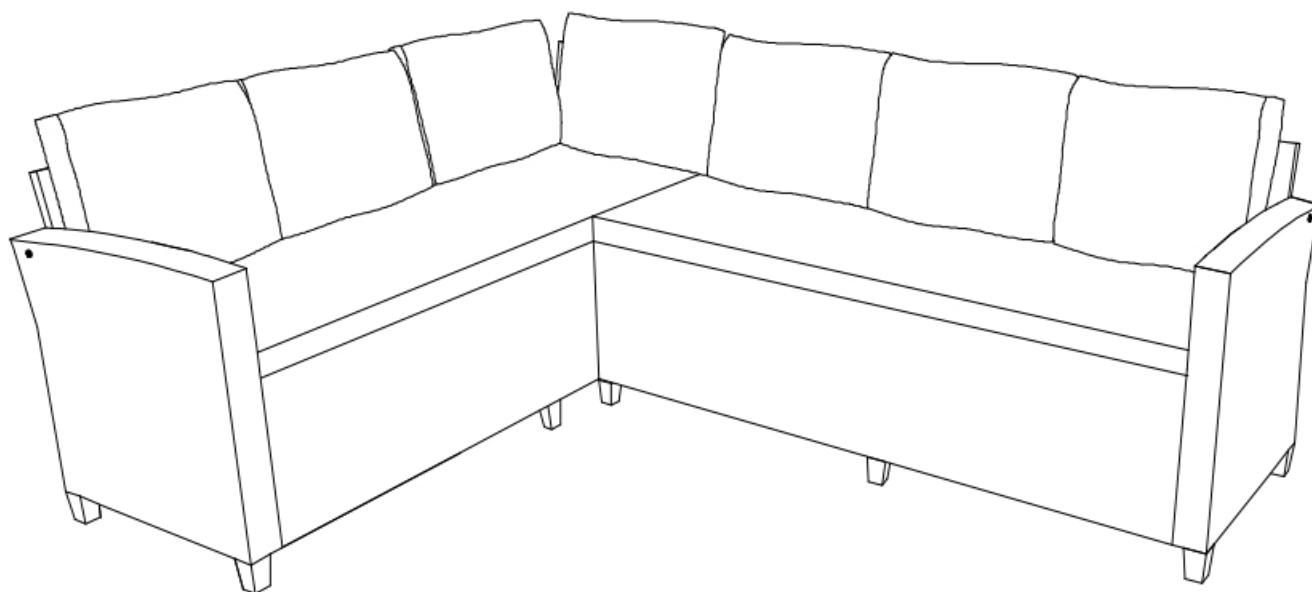


M & L Co.
MUSE & LOUNGE™

KD-OT1112-SECT



ASSEMBLY INSTRUCTIONS

OUTDOOR SECTIONAL SOFA

PARTS

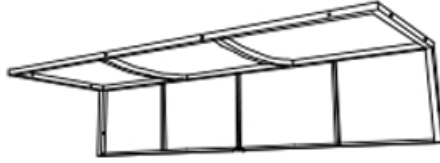
Check that you've received
all parts listed below.

(A)



(1 pc)

(B)



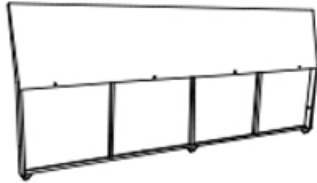
(1 pc)

(C)



(1 pc)

(D)



(2 pcs)

(E)



(2 pcs)

(F)



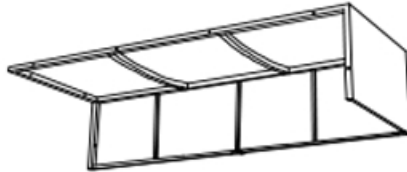
(7 pcs)

(G)



(1 pc)

(H)



(1 pc)

HARDWARE

Check that you've received all hardware listed below.

① M6x40 mm



(14 pcs)

② M6x35 mm



(7 pcs)

③ M6x110 mm



(2 pcs)

④ M6x55 mm



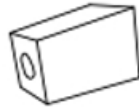
(12 pcs)

⑤ Ø6x14x1 mm



(23 pcs)

⑥ 45x45x65 mm



(12 pcs)

⑦ 60x40x30 mm



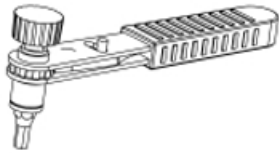
(2 pcs)

⑧ Allen key 4x98 mm



(2 pcs)

⑨ Torque wrench

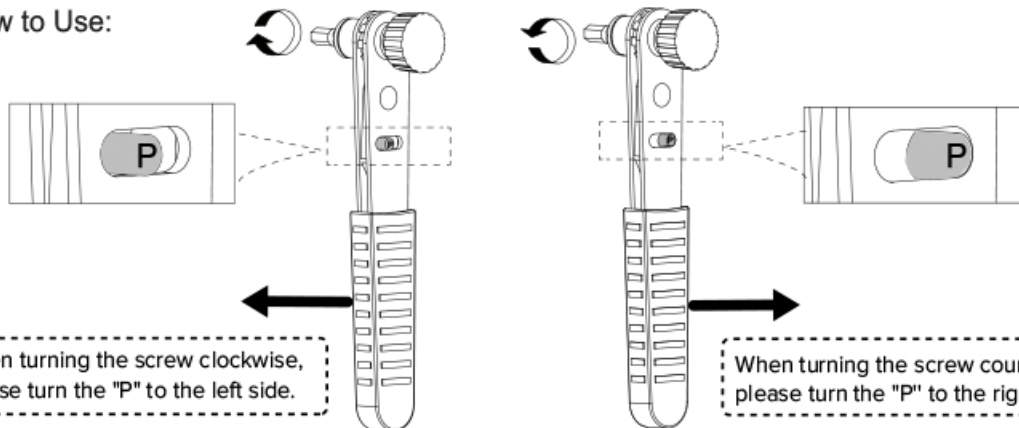


(1 pc)

Missing something? Email us at hello@museandlounge.com

Torque Wrench

How to Use:



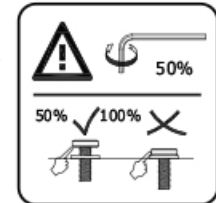
When turning the screw clockwise, please turn the "P" to the left side.

When turning the screw counterclockwise, please turn the "P" to the right side.

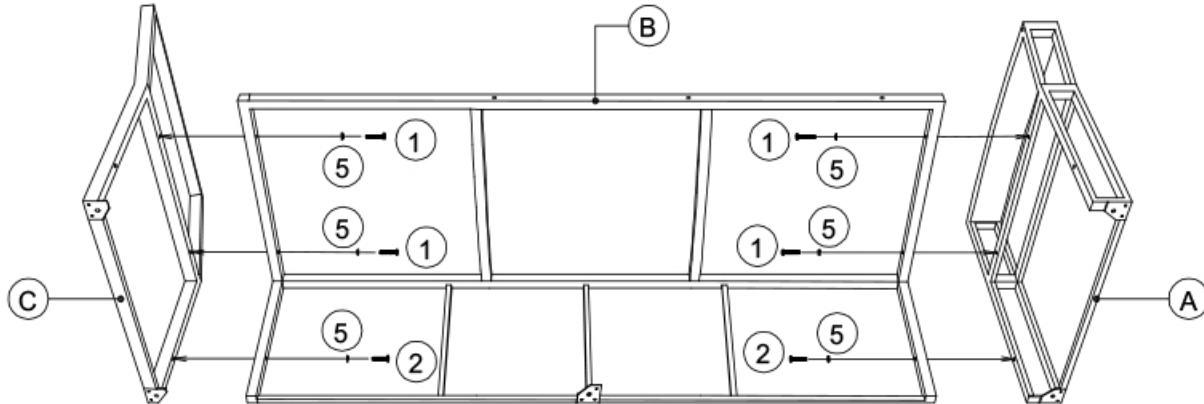
NOTE: A Torque Wrench is the recommended alternative to an Allen key and is typically easier to use.

STEP 1

Tighten bolts halfway



Align Left Seat Base (B) between Small Backrest (C) and Arm (A).

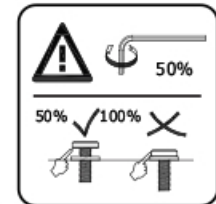


Secure four of the spring washer (5) and bolt (1) with supplied Allen key (8) to seat beams.

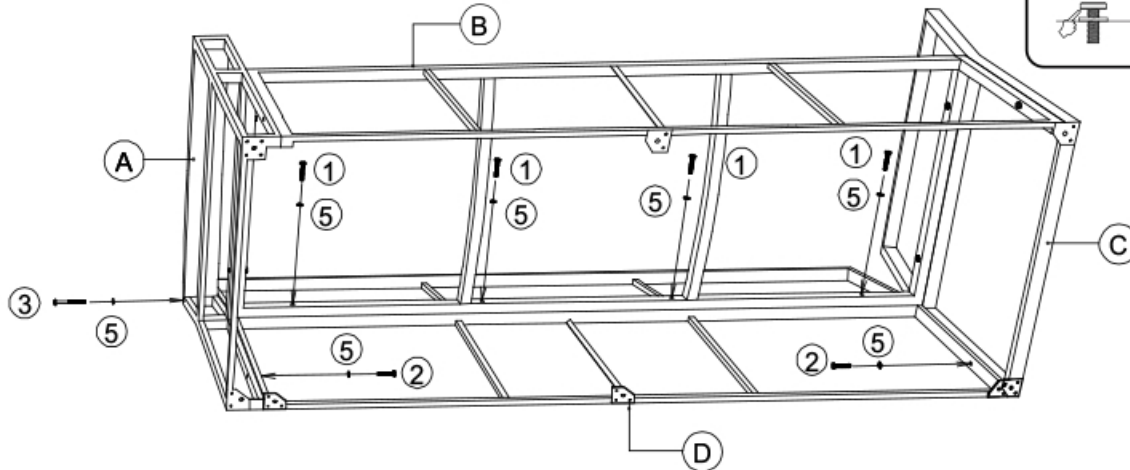
Secure two of the spring washer (5) and bolt (2) with supplied Allen key (8) to the legs.

STEP 2

Tighten bolts halfway



Align Back Panel (D) against Left Seat Base (C).

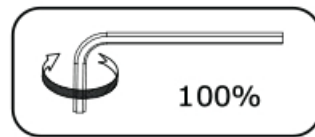


Secure four of the spring washer (5) and bolt (1) with supplied Allen key (8) to seat beams.

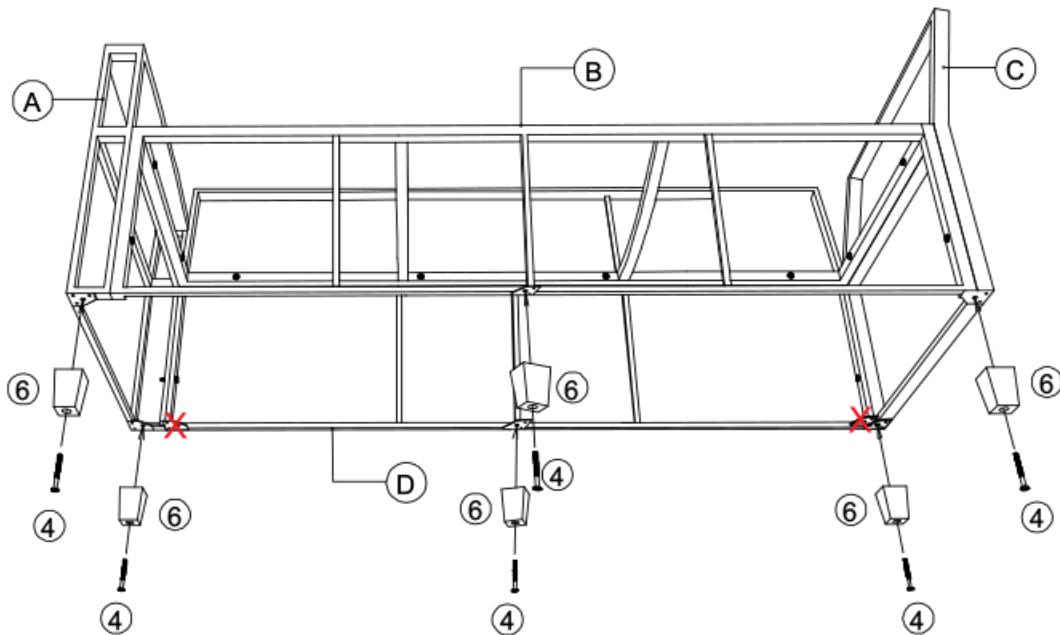
Secure two of the spring washer (5) and bolt (2) with supplied Allen key (8) to the legs.

Secure one of the spring washer (5) and bolt (3) to backrest.

STEP 3



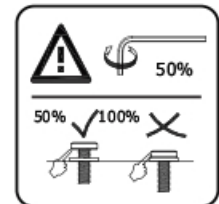
Fully tighten all bolts.



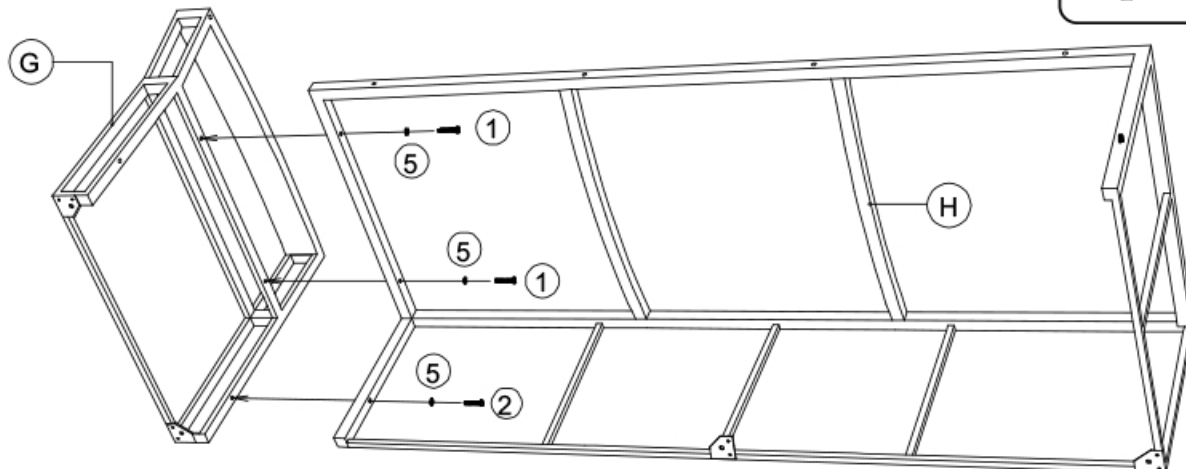
Secure Feet (6) with a long bolt (4) using supplied Allen key (8).

STEP 4

Tighten bolts halfway



Align Right Seat Base (H) to Arm (G).

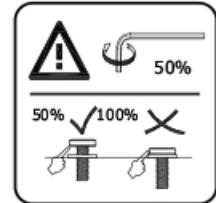


Secure two of the spring washer (5) and bolt (1) with supplied Allen key (8) to seat beams.

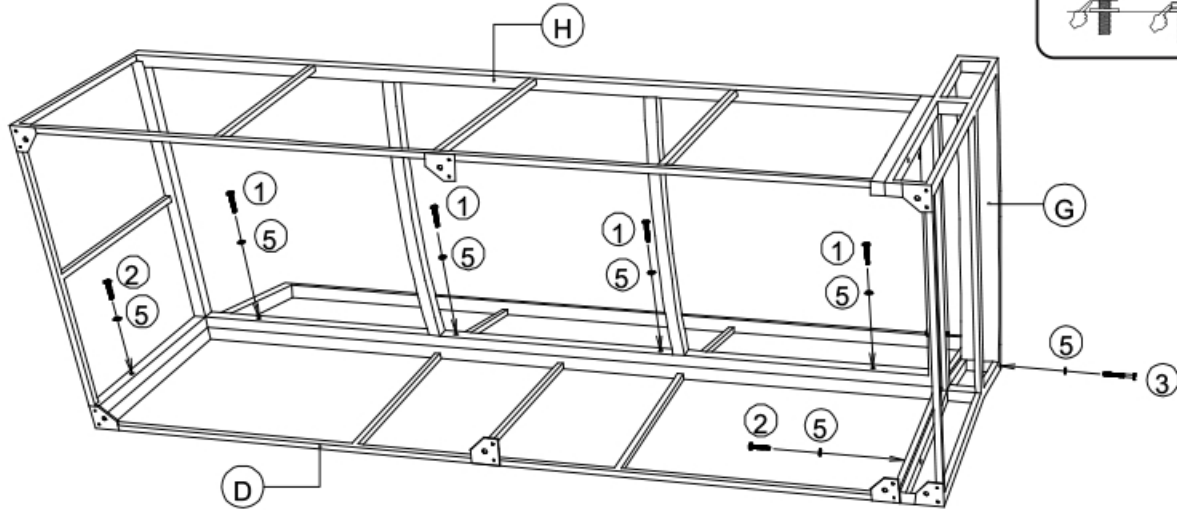
Secure one of the spring washer (5) and bolt (2) with supplied Allen key (8) to the legs.

STEP 5

Tighten bolts halfway



Align Back Panel (D) against Right Seat Base (H).

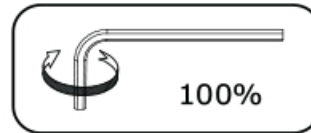


Secure four of the spring washer (5) and bolt (1) with supplied Allen key (8) to seat beam.

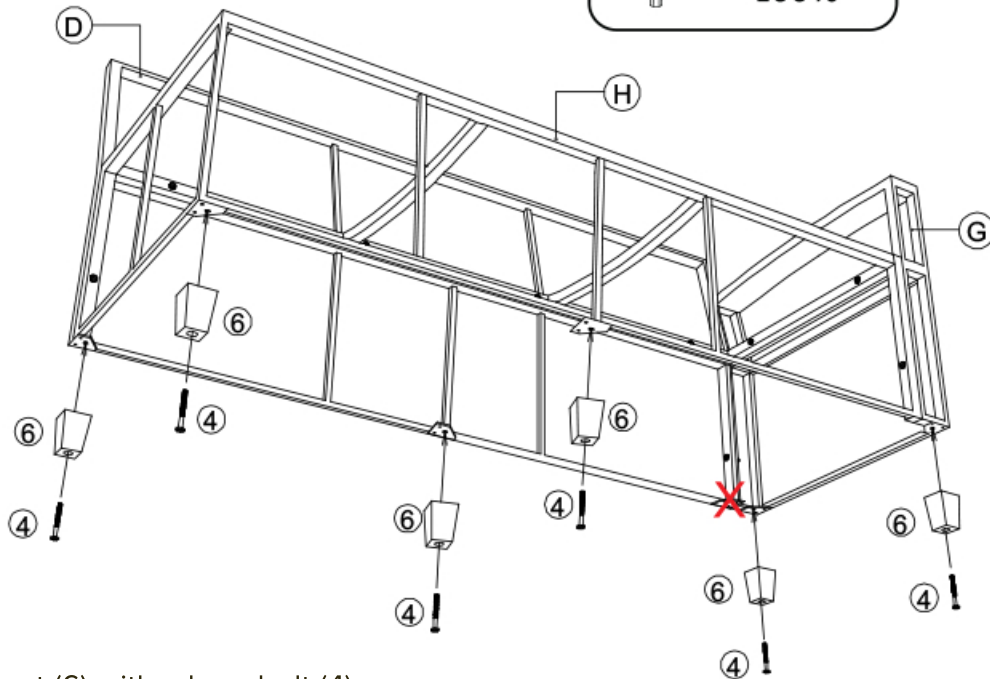
Secure two of the spring washer (5) and bolt (2) with supplied Allen key (8) to the legs.

Secure one of the spring washer (5) and bolt (3) to backrest.

STEP 6

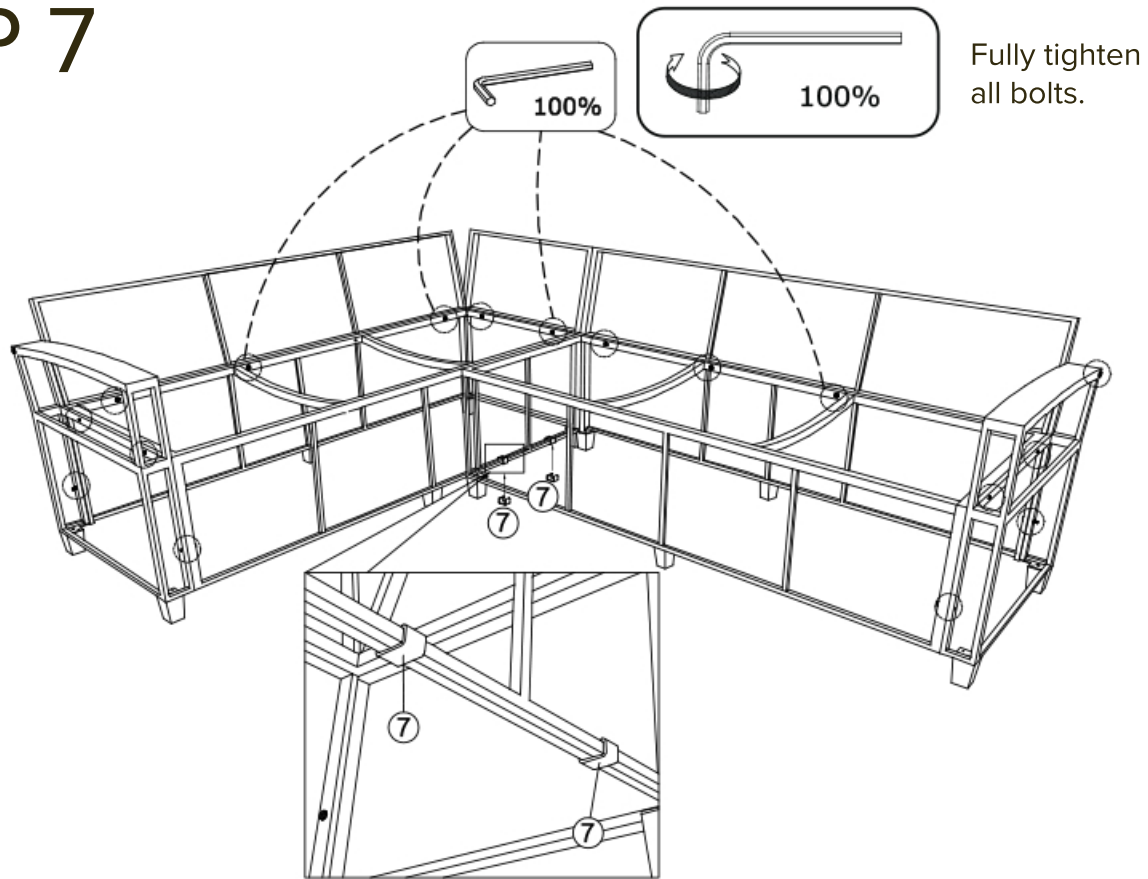


Fully tighten all bolts.



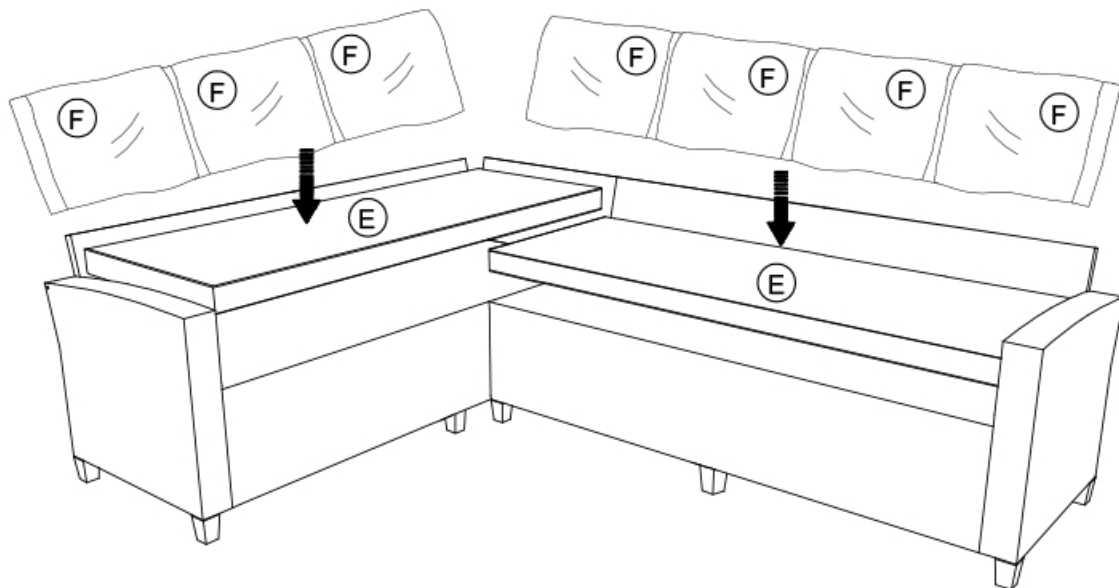
Secure Feet (6) with a long bolt (4) using supplied Allen key (8).

STEP 7



Align Left and Right Benches, then secure with Connection (7).

STEP 8



Place Seat Cushion (E) and Back Pillows (F).

Enjoy.

Need some help?



1-888-980-5122



@museandloungeco



hello@museandlounge.com



CARE INSTRUCTIONS

Outdoor furniture naturally weathers and shows color variation over time. We recommend the following care for the best results:

- Wipe with a soft cloth.
- Wash with mild soap and water as needed; do not use abrasive cleaners.
- Cover furniture with an outdoor cover (not included) when not in use.
- Store in a dry, covered area during inclement weather or winter season.



After assembly is completed, save these instructions and any included tools for future maintenance or re-assembly.

V.220518