

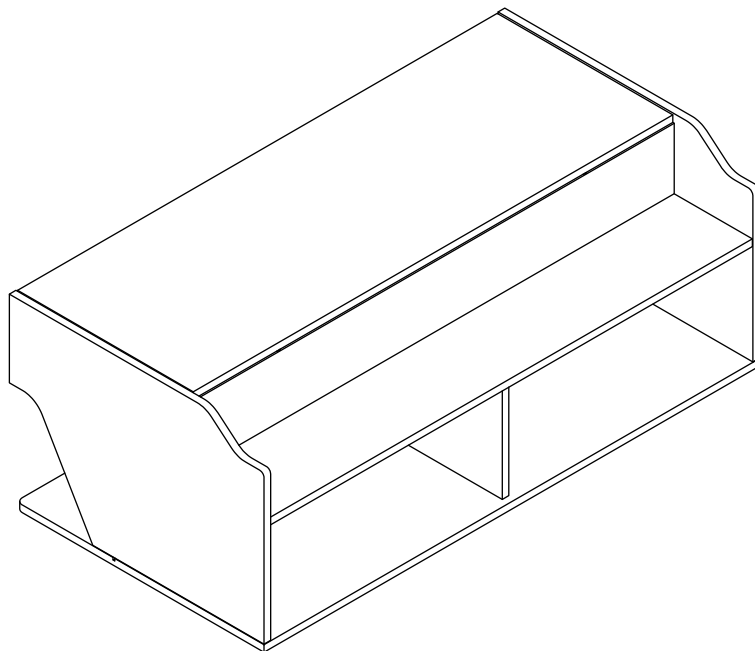
ASSEMBLY INSTRUCTIONS

MODEL #

YNJ-2290C40

Questions?

GIVE US A CALL: 1-888-980-5122
MON – FRI 8:30AM – 5:30PM (PST)



TOOLS REQUIRED



**Phillips
Screwdriver**

(Not Included)



Hammer

(Not Included)



**2 - People
Recommended**

ASSEMBLY RATING



EASY → DIFFICULT


The Assembly Rating is a 5-point system showing the level of effort needed to assemble a specific product.




Thank you for your purchase!

We hope you enjoy this new addition to your home for many years to come.

Our commitment to providing quality products does not simply end when you purchase our product. We fully stand behind our products from start to finish. Our customer service department is available Monday – Friday 8:30 AM – 5:30 PM Pacific and can help with assembly questions as well as, if necessary, replacing damaged or missing parts. To help expedite our service, please have these assembly instructions readily available, along with your order receipt.

 **Consumer Hotline**
Toll-Free 1-888-980-5122

 **Monday to Friday**
8:30AM- 5:30PM (PST)

 **WEBSITE**
www.foagroup.com

 **E-MAIL**
cs.ec@foagroup.com

    foagroup

 FurnitureOfAmerica

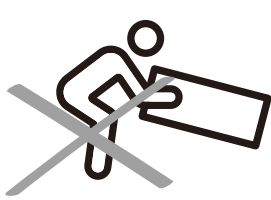
CHECK BEFORE STARTING

- Are you missing anything?**
Double-check all parts, hardware and accessories listed are all accounted for.
- Should we send any replacements?**
Are there any irregularities or flaws in the parts? We can send replacements!

- Check out our Quick Tips!**
We recommend reviewing the pre-assembly handouts. Even experts need a refresher now and then!
- Prep Time!**
Please review the assembly instructions and all diagrams prior to assembling. Arrange parts as recommended on Page 7 and group identical hardware together to make assembling easier.

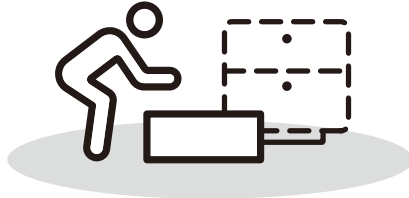
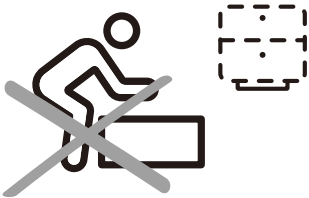
PRE ASSEMBLY INTRODUCTION

We understand building ready-to-assemble furniture can be a challenging experience for some. To help avoid confusion, we have provided some helpful tips that may speed up the process.



Teamwork

ALWAYS have at least two people to help with transporting and assembling the product to avoid potential injury and/or damage.



Suitable Location

Assembling near the area of the intended location is highly recommended.



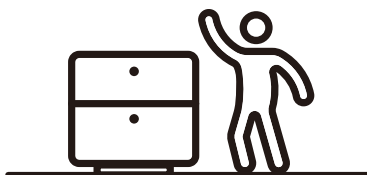
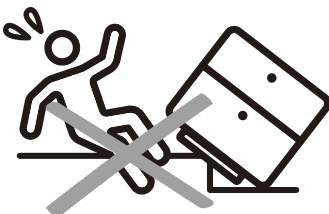
Sufficient Space

Make sure you have enough space to move around during the assembly.



Avoid Scratches

Use cardboard, blankets or a carpeted area while assembling furniture to prevent scratches.



Flat Surface

Make sure the furniture rests on a flat and level surface with each leg evenly touching the floor.

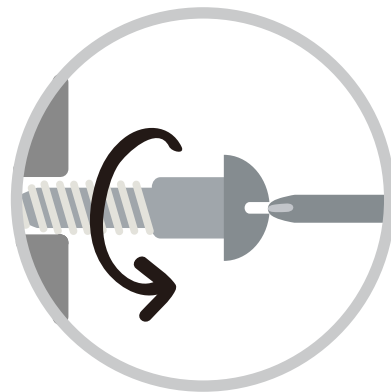
ASSEMBLY AND CARE ADVICE



**FAILURE TO FOLLOW THE GUIDELINES BELOW MAY
RESULT IN INJURY AND/OR PROPERTY DAMAGE.**



Position each part correctly
and insert screws or bolts into
their respective holes.



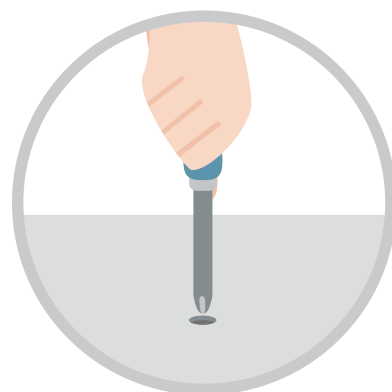
Turn clockwise to tighten and
only tighten when step is
completed or when instructed
to do so.



Use the appropriate hand tools
or power tools for assembly.
Select steps, such as tightening
screws and/or bolts, may require
hand tools to avoid causing
damage during assembly.



Save the instructions and store
any supplied tools for later
maintenance.



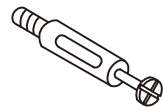
After two weeks, check and
tighten any loose hardware and
repeat again every six months
thereafter.

IT IS THE USER'S RESPONSIBILITY TO MAINTAIN THE FURNITURE. THE HARDWARE MAY LOOSEN OVER TIME AND MAY CAUSE THE FURNITURE TO BE WOBBLY AND UNABLE TO SUPPORT ITS INTENDED WEIGHT CAPACITY. THIS MAY LEAD TO COLLAPSE AND MAY CAUSE SERIOUS INJURY.

CAM LOCK FASTENER ASSEMBLY INSTRUCTIONS

Note :

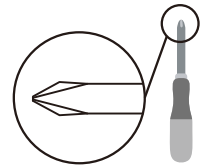
Every cam lock bolt must have a cam lock connector in order to fasten the parts together.



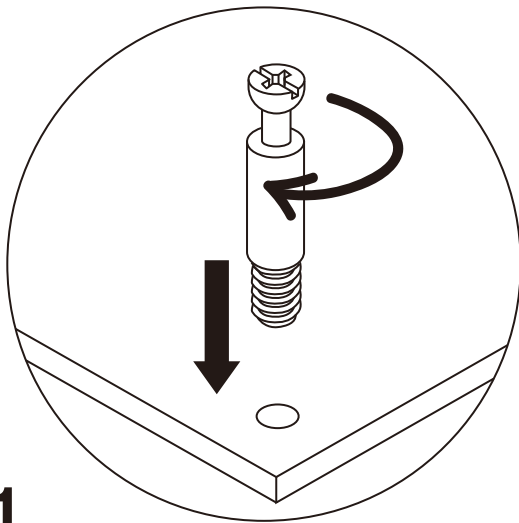
cam bolt



cam lock

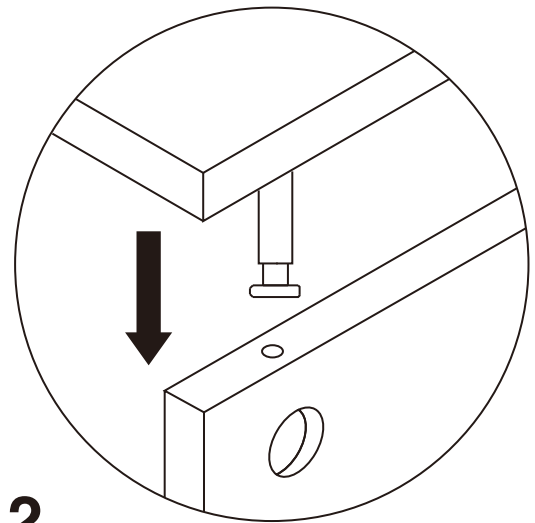


screwdriver



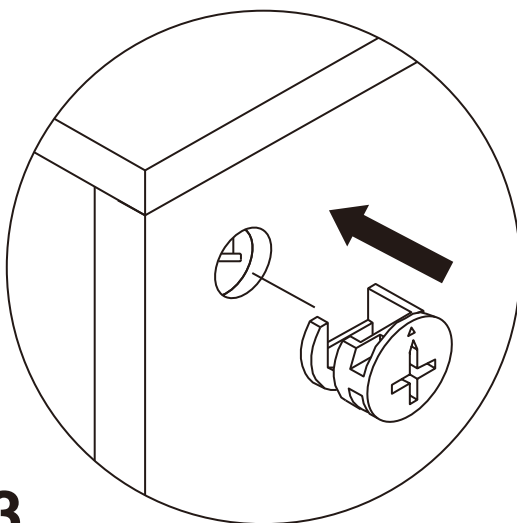
1

Screw the cam bolt into panel.



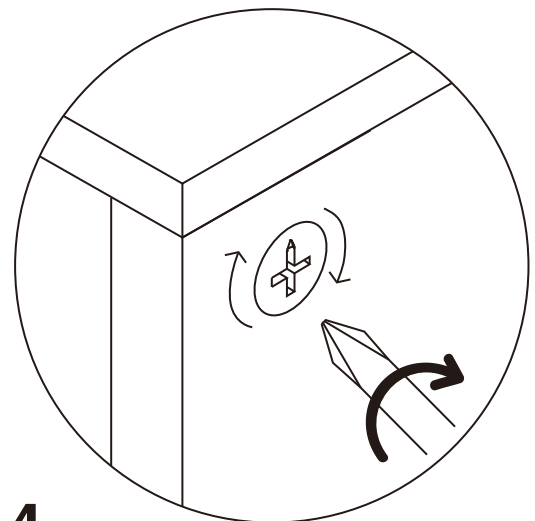
2

Insert the cam bolt into the bolt hole of joint panel.



3

Align the cam lock with its side opening (or arrow) pointing to cam bolt.



4

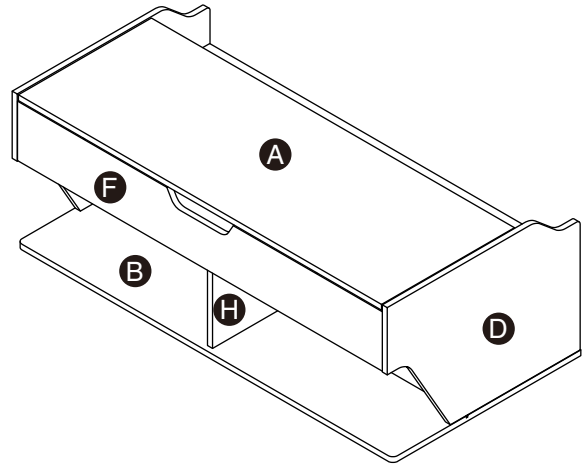
Turn the cam lock clockwise gently until it will not turn any more.

COFFEE TABLE

YNJ-2290C40

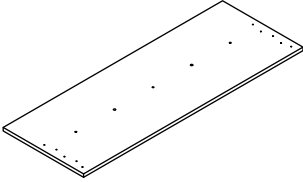


- Please keep instructions for future reference.
- Check the quantity and irregularity of parts and hardware before you start.

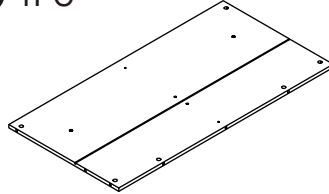


PARTS

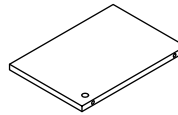
A 1PC



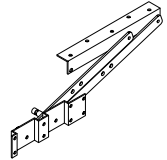
E 1PC



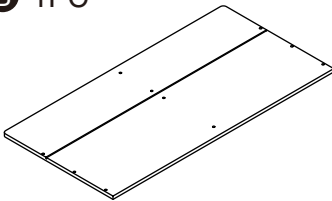
I 1PC



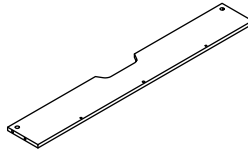
M 1PC



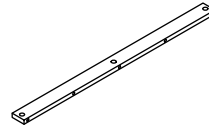
B 1PC



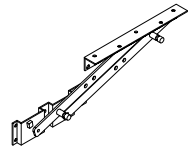
F 1PC



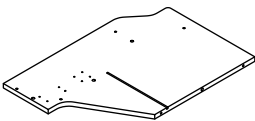
J 1PC



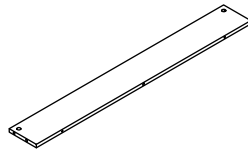
N 1PC



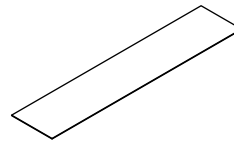
C 1PC



G 1PC



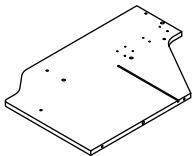
K 1PC



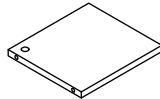
O 2PCS



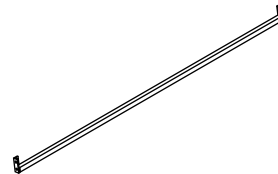
D 1PC



H 1PC

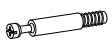


L 1PC



HARDWARE

① 12PCS ② 12PCS ③ 3PCS ④ 3PCS



⑤ 14PCS ⑥ 10PCS ⑦ 4PCS ⑧ 26PCS



ACCESSORIES

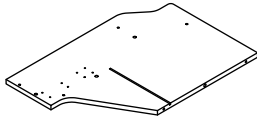
A1 4PCS A2 4PCS A3 1PC A4 1PC



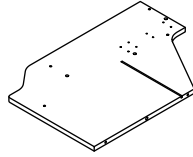
GET READY

Please group boards as below.

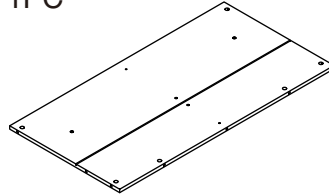
C 1PC



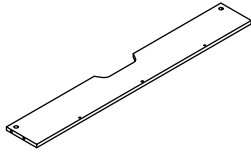
D 1PC



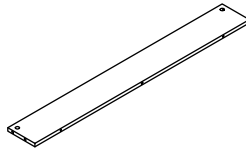
E 1PC



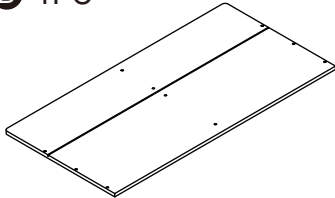
F 1PC



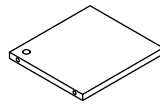
G 1PC



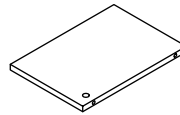
B 1PC



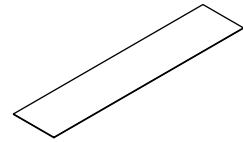
H 1PC



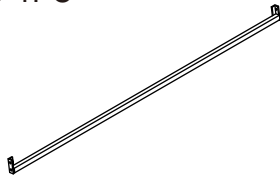
I 1PC



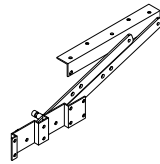
K 1PC



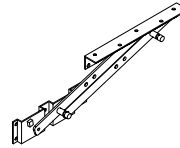
L 1PC



M 1PC



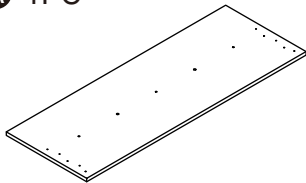
N 1PC



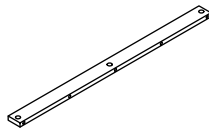
O 2PCS



A 1PC



J 1PC



Body

ASSEMBLY INSTRUCTIONS

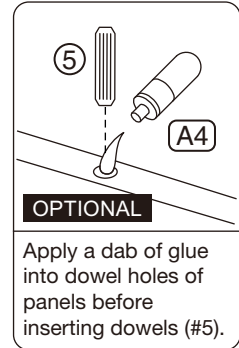
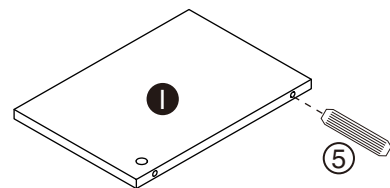
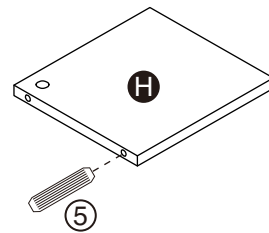
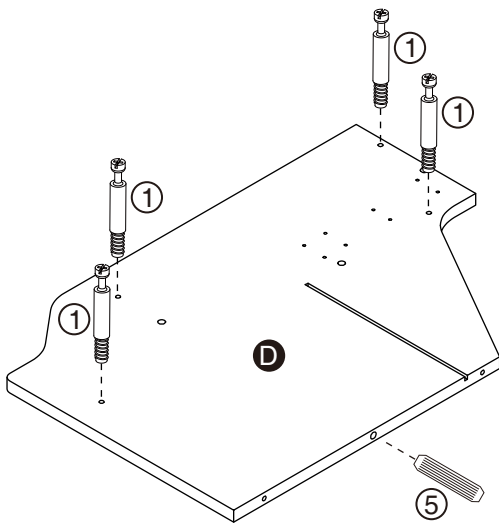
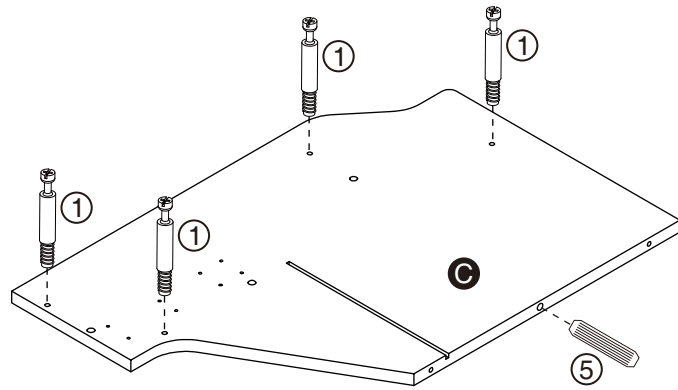
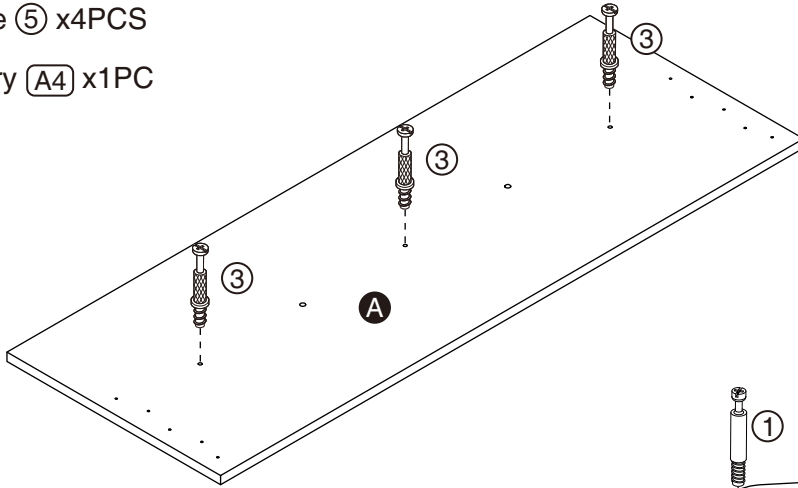
1

Hardware ① x8PCS

Hardware ③ x3PCS

Hardware ⑤ x4PCS

Accessory [A4] x1PC

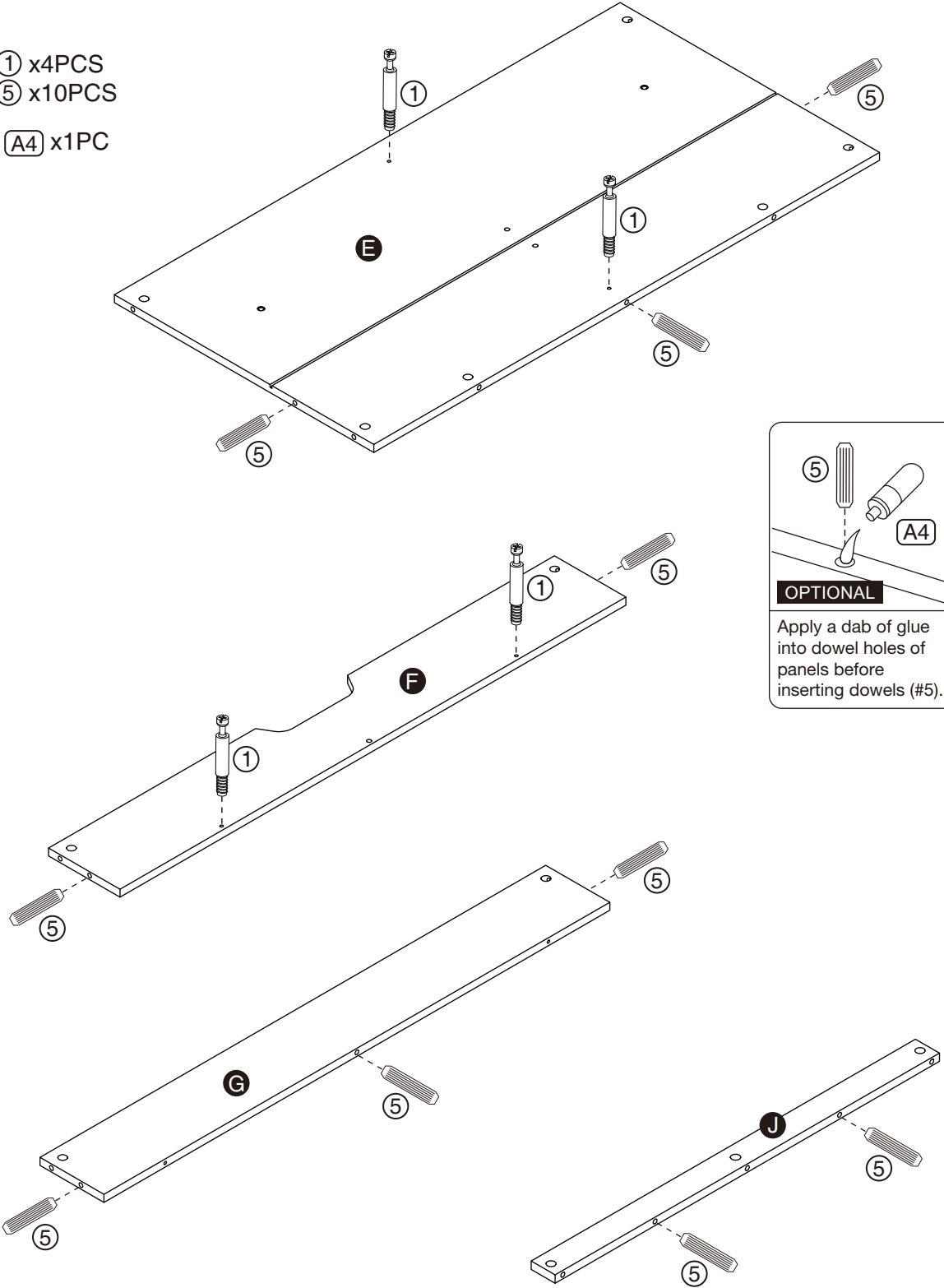


ASSEMBLY INSTRUCTIONS

2

Hardware ① x4PCS
Hardware ⑤ x10PCS

Accessory ④A4 x1PC



OPTIONAL

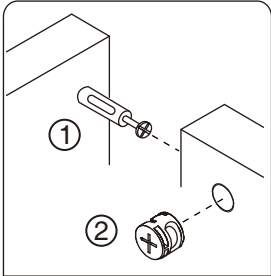
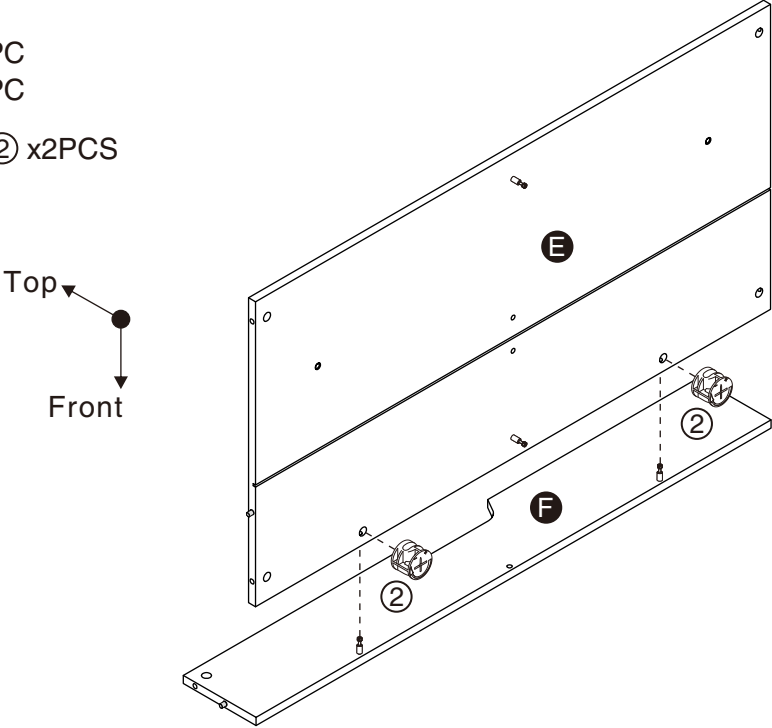
Apply a dab of glue into dowel holes of panels before inserting dowels (#5).

ASSEMBLY INSTRUCTIONS

3

Part **E** x1PC
Part **F** x1PC

Hardware **②** x2PCS



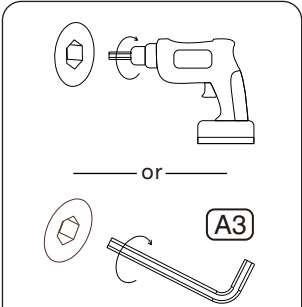
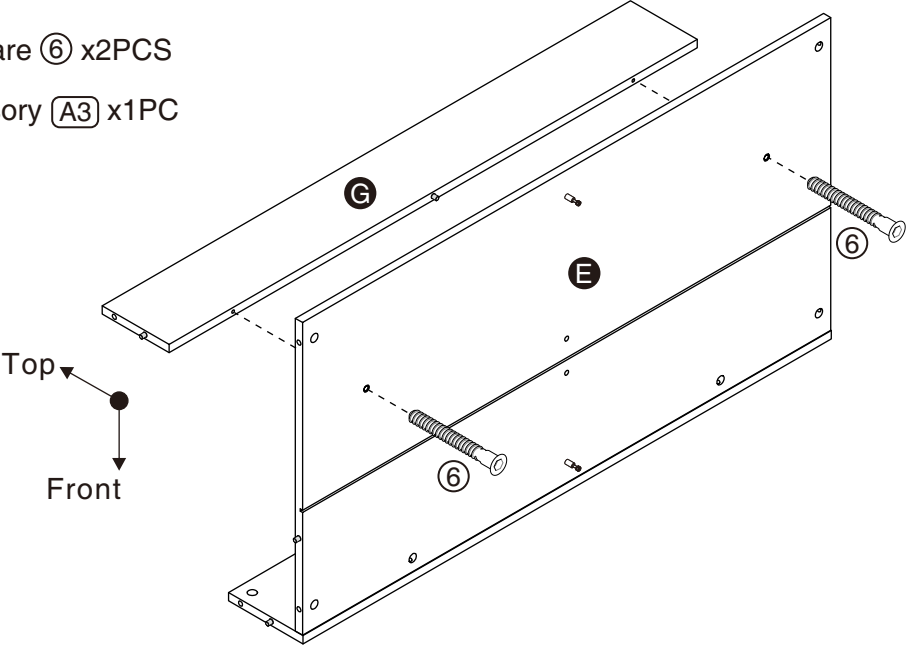
Please refer to page 5 for detailed instructions on how to fasten cam locks (#2) to cam bolts (#1).

4

Part **G** x1PC

Hardware **⑥** x2PCS

Accessory **A3** x1PC



RECOMMEND

Recommend using a power tool to only tighten hardware (#6) faster. Accessory (#A3) could also work for hardware (#6) if a power tool is not present.

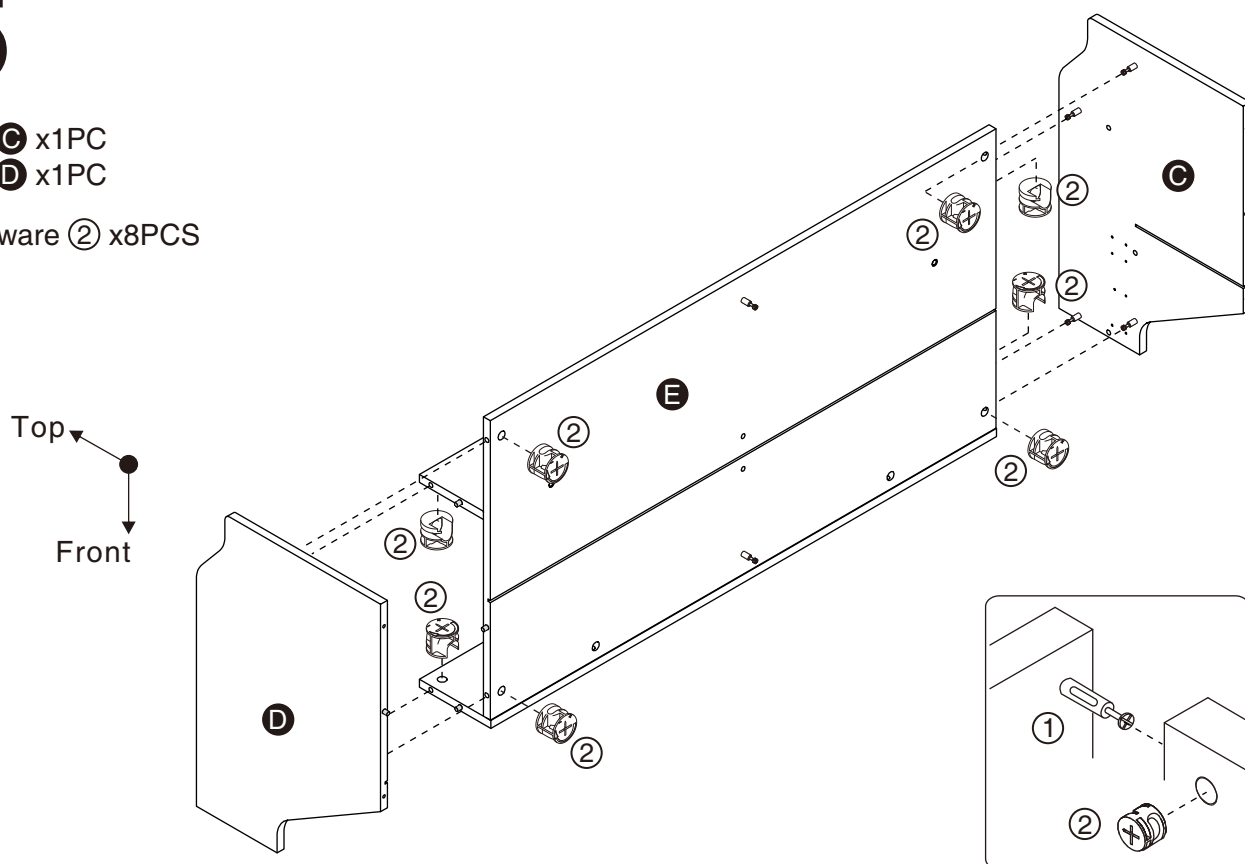
ASSEMBLY INSTRUCTIONS

5

Part **C** x1PC

Part **D** x1PC

Hardware **2** x8PCS

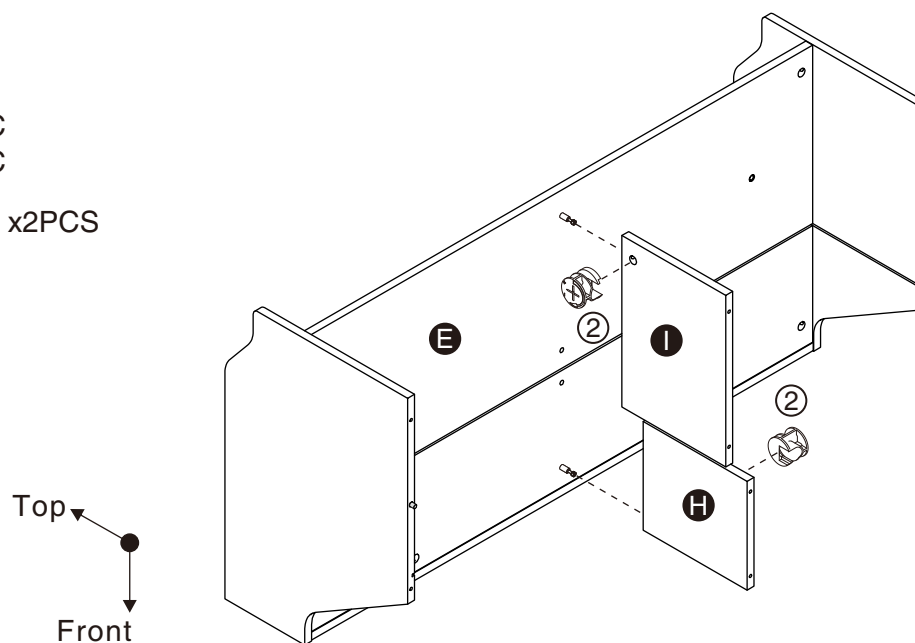


6

Part **H** x1PC

Part **I** x1PC

Hardware **2** x2PCS



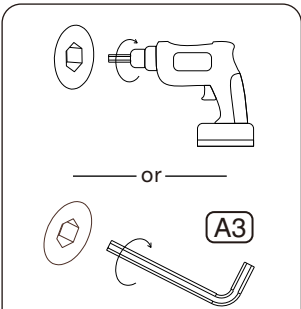
ASSEMBLY INSTRUCTIONS

7

Part **B** x1PC
Part **K** x1PC

Hardware **6** x8PCS

Accessory **A3** x1PC

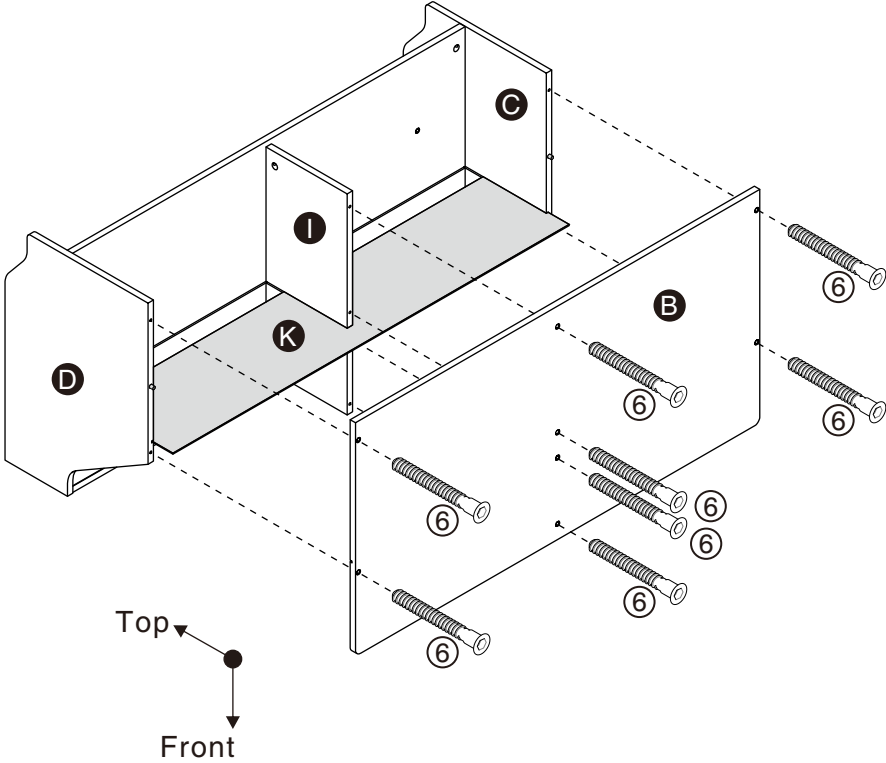


or

A3

RECOMMEND

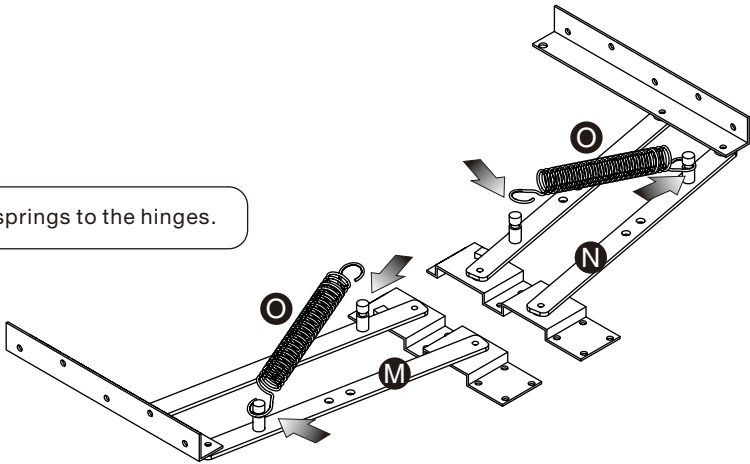
Recommend using a power tool to only tighten hardware (#6) faster. Accessory (#A3) could also work for hardware (#6) if a power tool is not present.



8

Part **M** x1PC
Part **N** x1PC
Part **O** x2PCS

Align and hook the springs to the hinges.



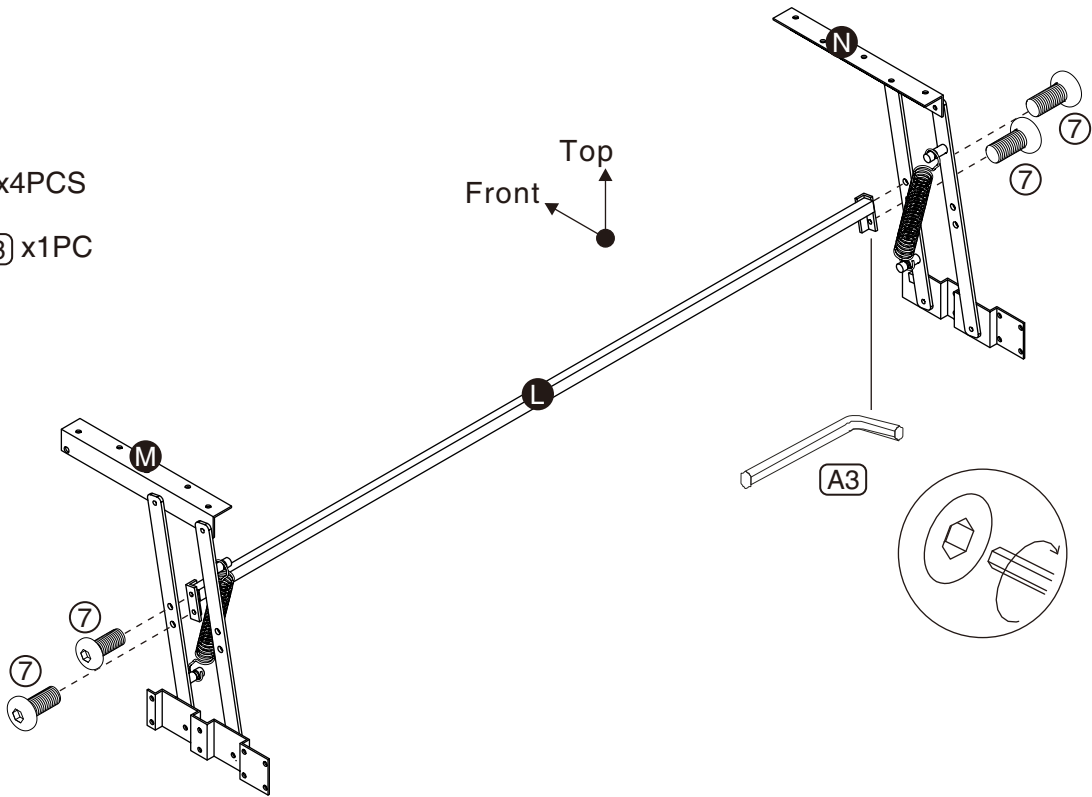
ASSEMBLY INSTRUCTIONS

9

Part **L** x1PC

Hardware **7** x4PCS

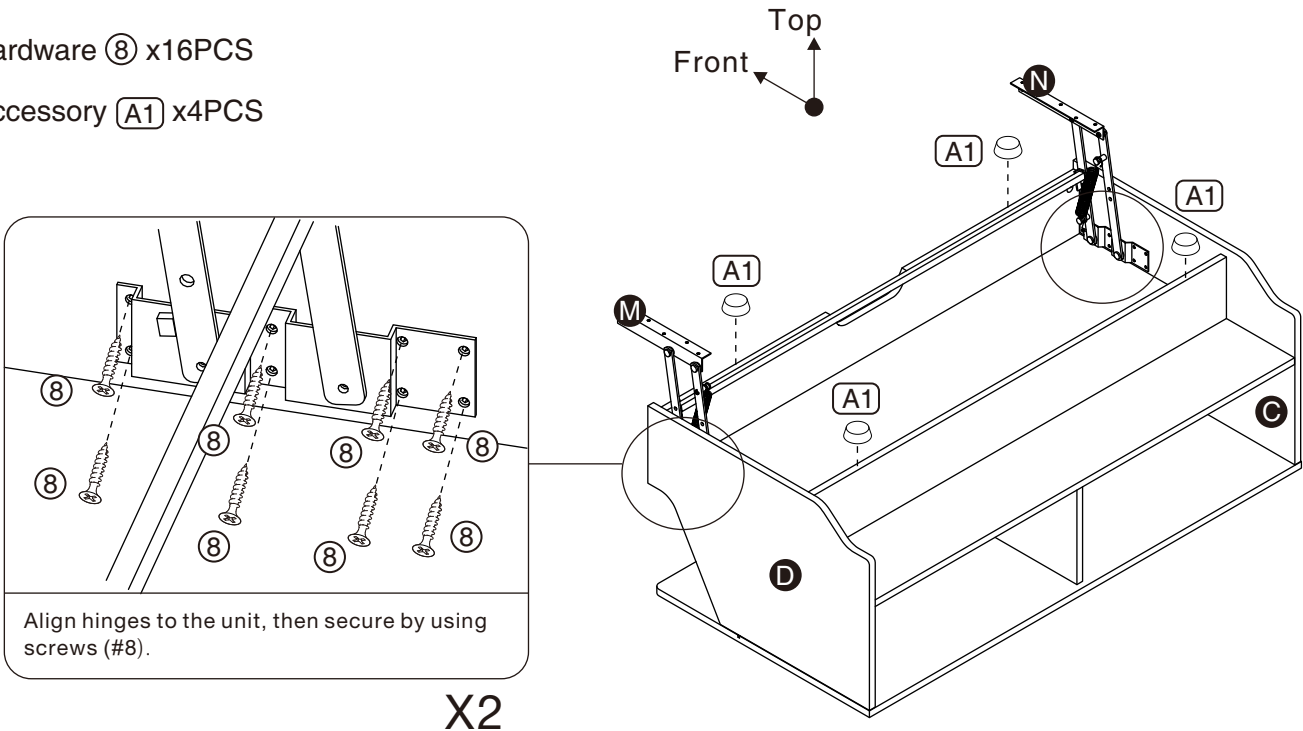
Accessory **A3** x1PC



10

Hardware **8** x16PCS

Accessory **A1** x4PCS



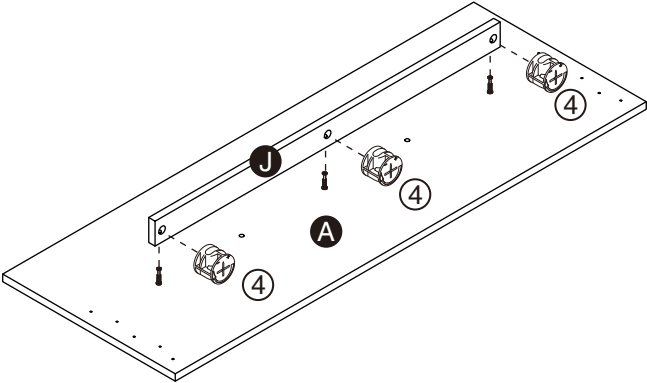
ASSEMBLY INSTRUCTIONS

11

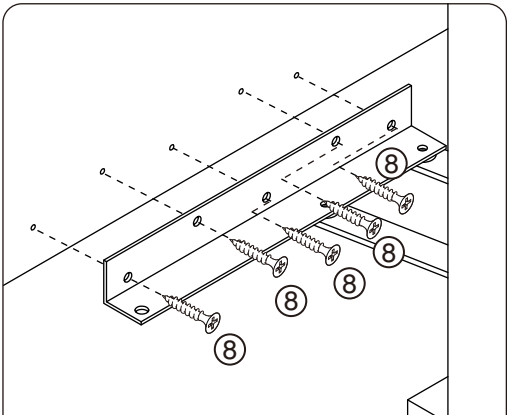
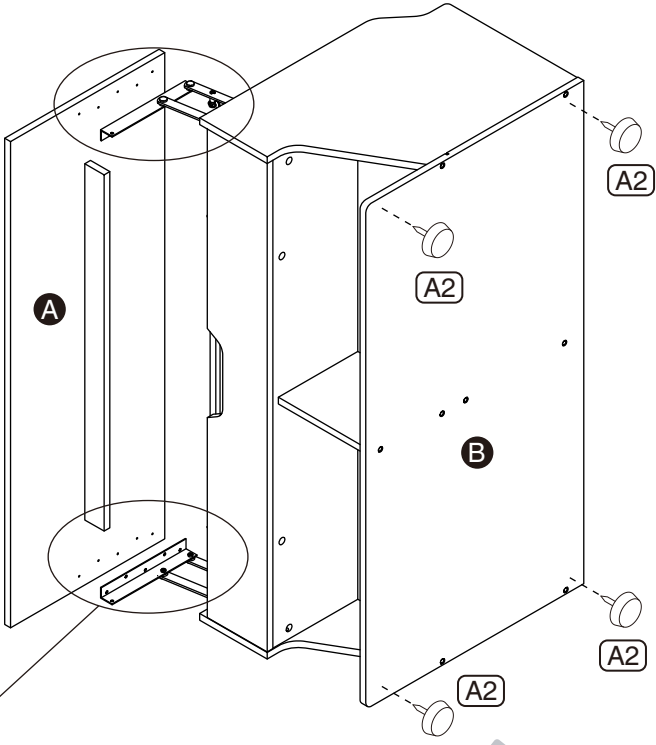
Part **A** x1PC
Part **J** x1PC

Hardware **4** x3PCS
Hardware **8** x10PCS

Accessory **A2** x4PCS



Top
Front



Align hinges to the holes of the top panel (#A), then secure by using screws (#8).

X2



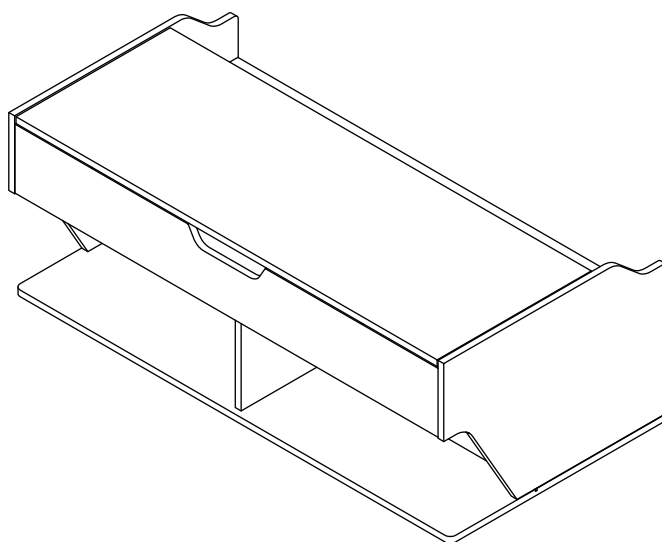
ASSEMBLY INSTRUCTIONS

12

ASSEMBLY COMPLETED



Please ensure the furniture rests on an even and flat surface. If the product wobbles or feels loose, double-check all bolts and/or screws are properly tightened and secured.



✓ **Keep this handy!**

Please retain this instruction manual and any order-related information for future reference.

✓ **Lift, don't drag!**

To avoid damage to product please always LIFT the product when transporting or adjusting the placement.