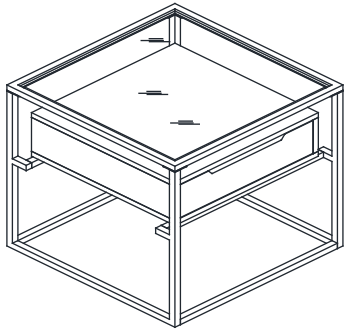


# Progressive<sup>®</sup> furniture ASSEMBLY INSTRUCTION

Item No: T136-04  
Description: END TABLE


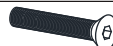



## IMPORTANT NOTE:

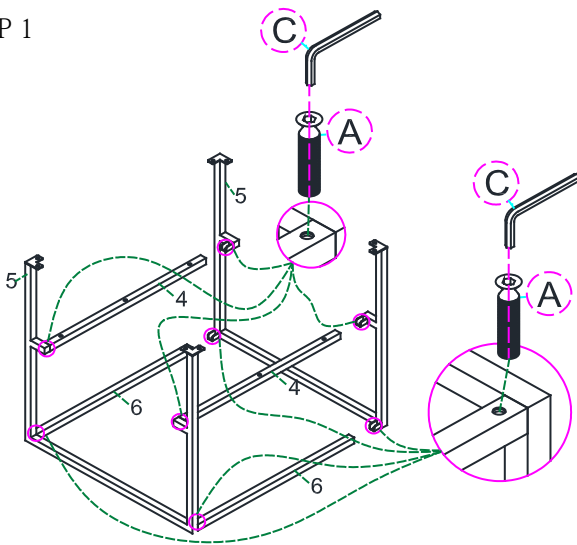
- Place all wooden parts on a clean and smooth surface such as a rug or carpet to avoid the parts from being scratched.
- Check to be sure that you have all parts and hardware.
- Remove all wrapping materials, including staples & packing straps before you start to assemble.
- Do not tighten all screws/bolts until all completely assembled.
- Keep all hardware parts out of reach of children.

End Table

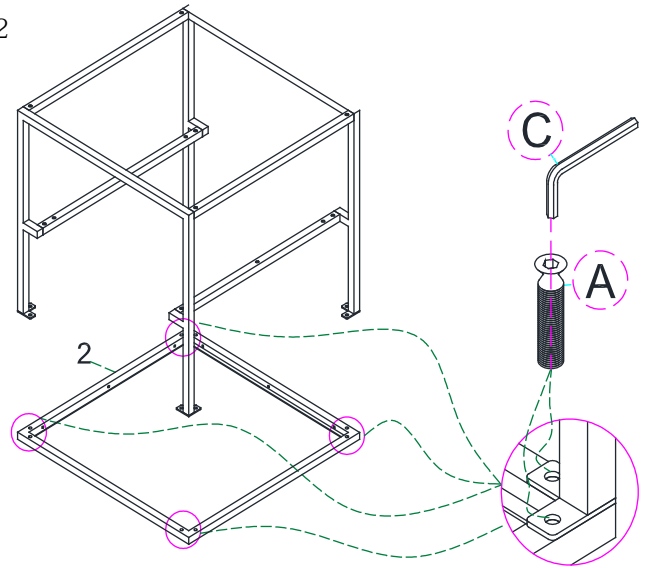
PARTS LIST		
NO.	COMPONENT	QTY.
1	Glass Top	1PC
2	Table Top	1PC
3	Drawer	1PC
4	Stretchers	2PCS
5	Table Legs	2PCS
6	Under Stretcher	2PCS

HARDWARE LIST		
NO.	DESCRIPTION	QTY
A	 Bolt Ø1/4" * 15 mm	16 PCS
B	 Bolt Ø1/4" * 35 mm	4 PCS
C	 Allen wrench M4	1 PC

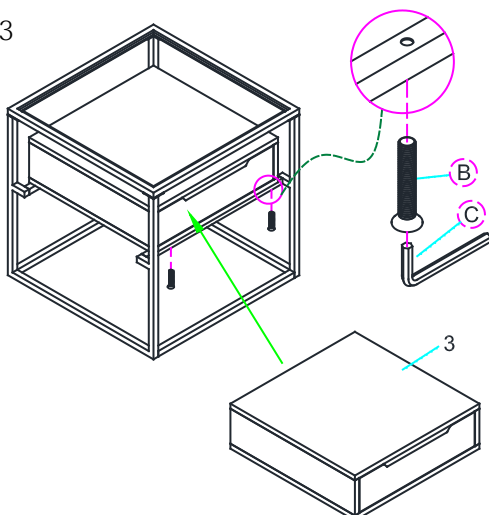
STEP 1



STEP 2



STEP 3



STEP 4

