



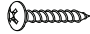



ASSEMBLY INSTRUCTIONS

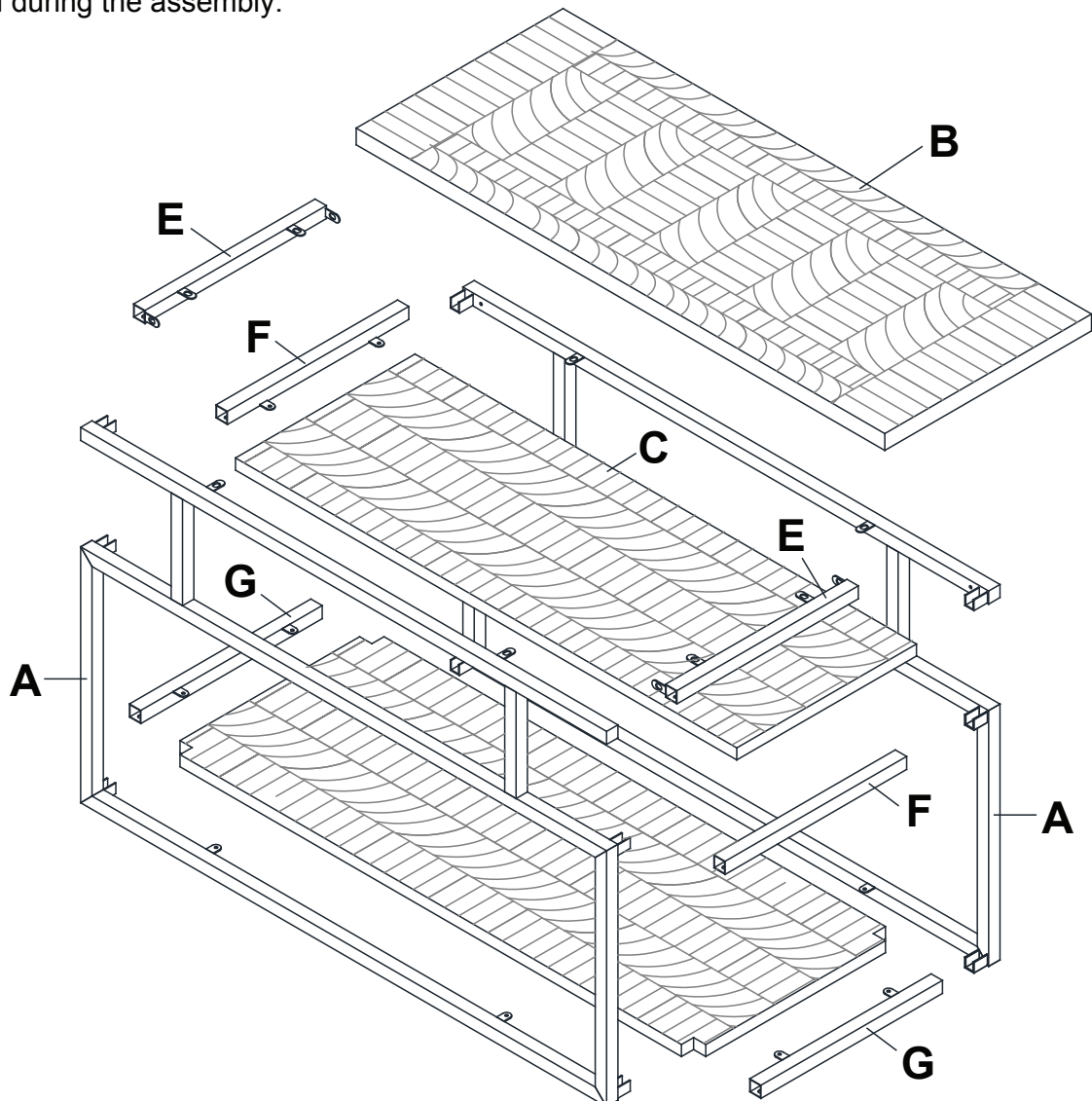
Thank you for purchasing this quality product. Place all wooden parts on a clean and smooth surface such as a rug or carpet to avoid the parts from being scratched. Be sure to check all packing materials carefully for small parts may have come loose inside the carton during shipment, clarify and count all parts and compare with the parts list below. Do not tighten all screws / bolts until all completely assembled.

Parts List		
No.	Description	Q.ty
A	Metal Frame	2PCS
B	Panel Top	1PC
C	Middle Shelf	1PC
D	Bottom Shelf	1PC
E	Top Stretchers	2PCS
F	Upper Stretchers	2PCS
G	Lower Stretchers	2PCS

Hardware List				
No.	Description	Sketch	Size	Q.ty
1	Allen Key		M4	1 pc
2	Allen Bolt		1/4 x 18mm	24pcs
3	Spring Washer		Ø12 x 1/4 x 1mm	24pcs
4	Flat Washer		Ø16 x 1/4 x 2mm	24pcs
5	Screws		#4 x 20mm	16pcs
6	Anti-Tipping Kit			1 SET

Two people are recommended in order to prevent personal injury and insure the parts are not damaged during the assembly.

NOTE : YOU WILL ALSO NEED A PHILLIPS SCREWDRIVER (NOT PROVIDED)

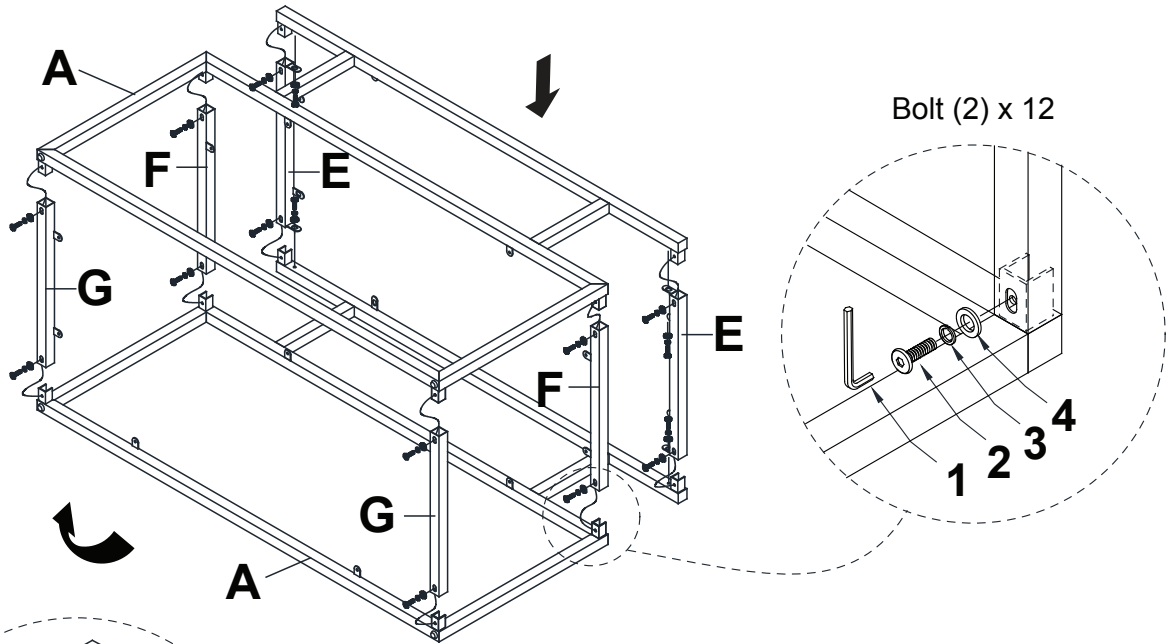


Cleaning instruction: Clean using soft cloth

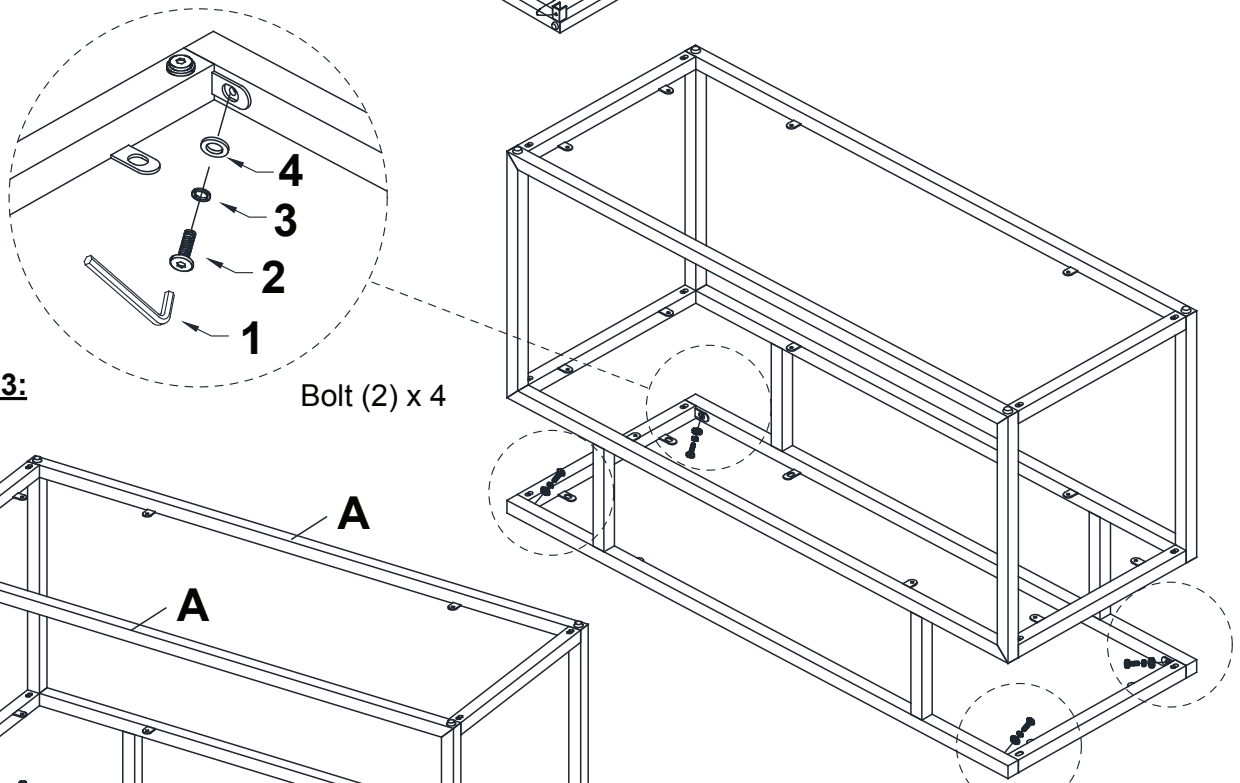
Made in VietNam

ASSEMBLY INSTRUCTIONS

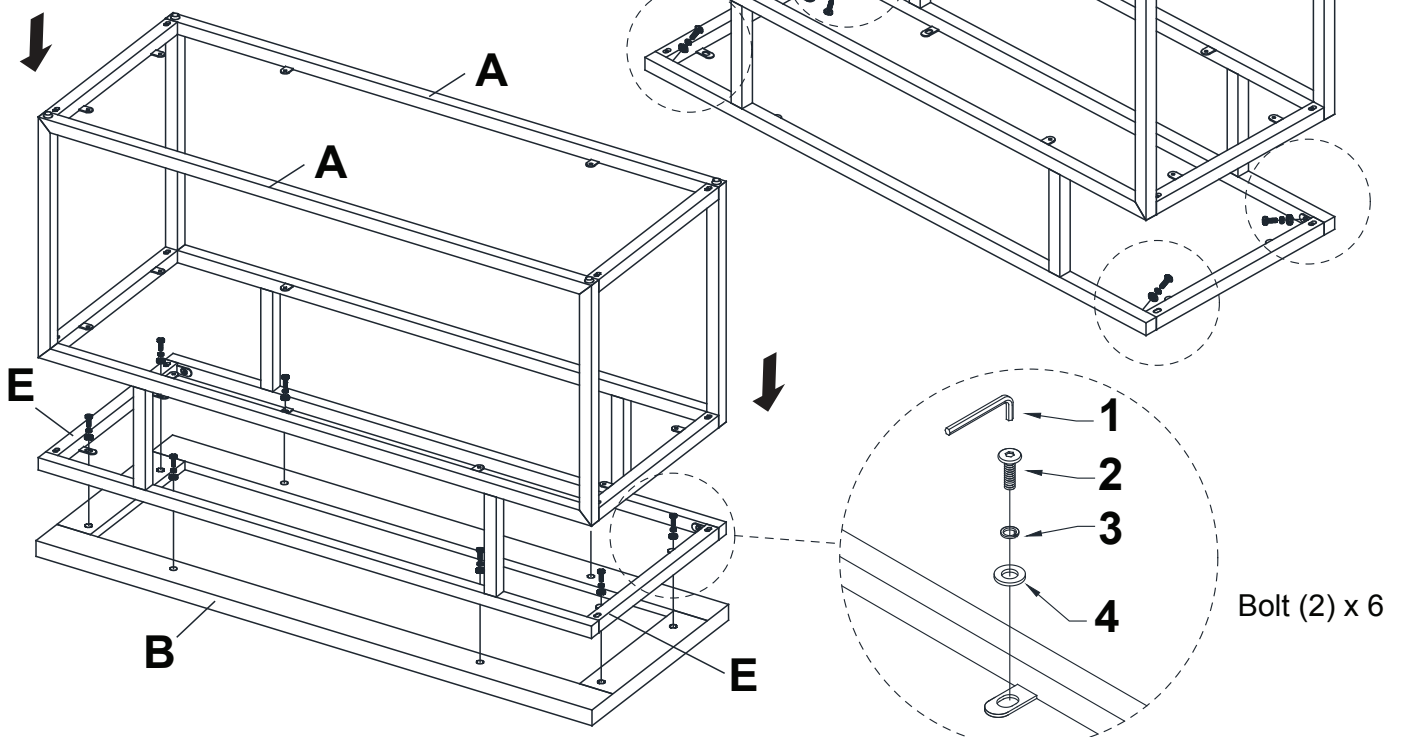
STEP 1:



STEP 2:

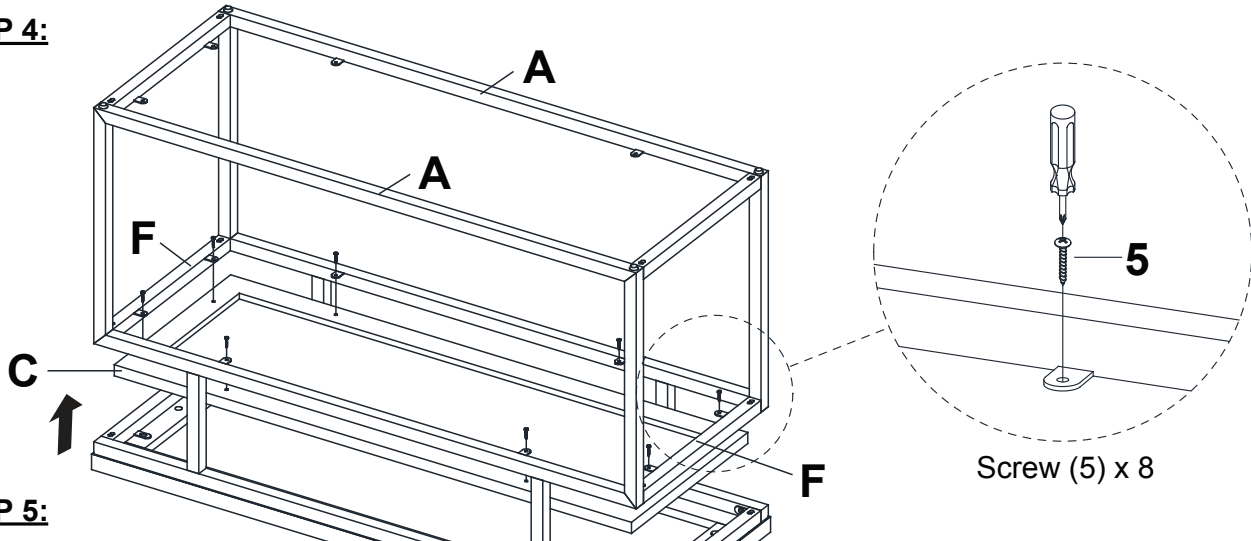


STEP 3:

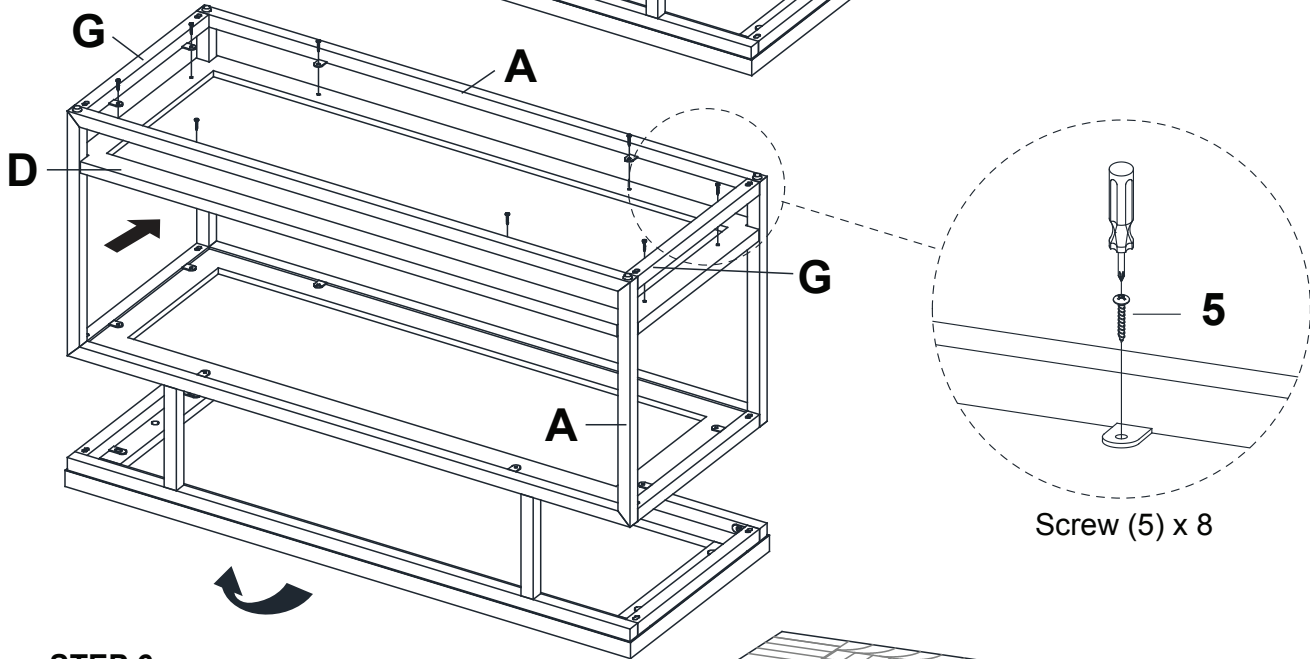


ASSEMBLY INSTRUCTIONS

STEP 4:



STEP 5:



STEP 6:

