

Product Name:	White Wood 8-Pair Shoe Storage Bench
SKU #:	WHIF898




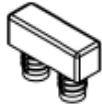








Thank you for purchasing this Luxen Home product. This product has been manufactured with the highest standards of safety and quality.

PLEASE READ ALL INSTRUCTIONS BEFORE ASSEMBLY.

Unpack all parts from Styrofoam and bubble wrap inside the carton to ensure there are no missing or damaged parts. If any parts are missing or damaged, do not attempt to assemble or use the product.

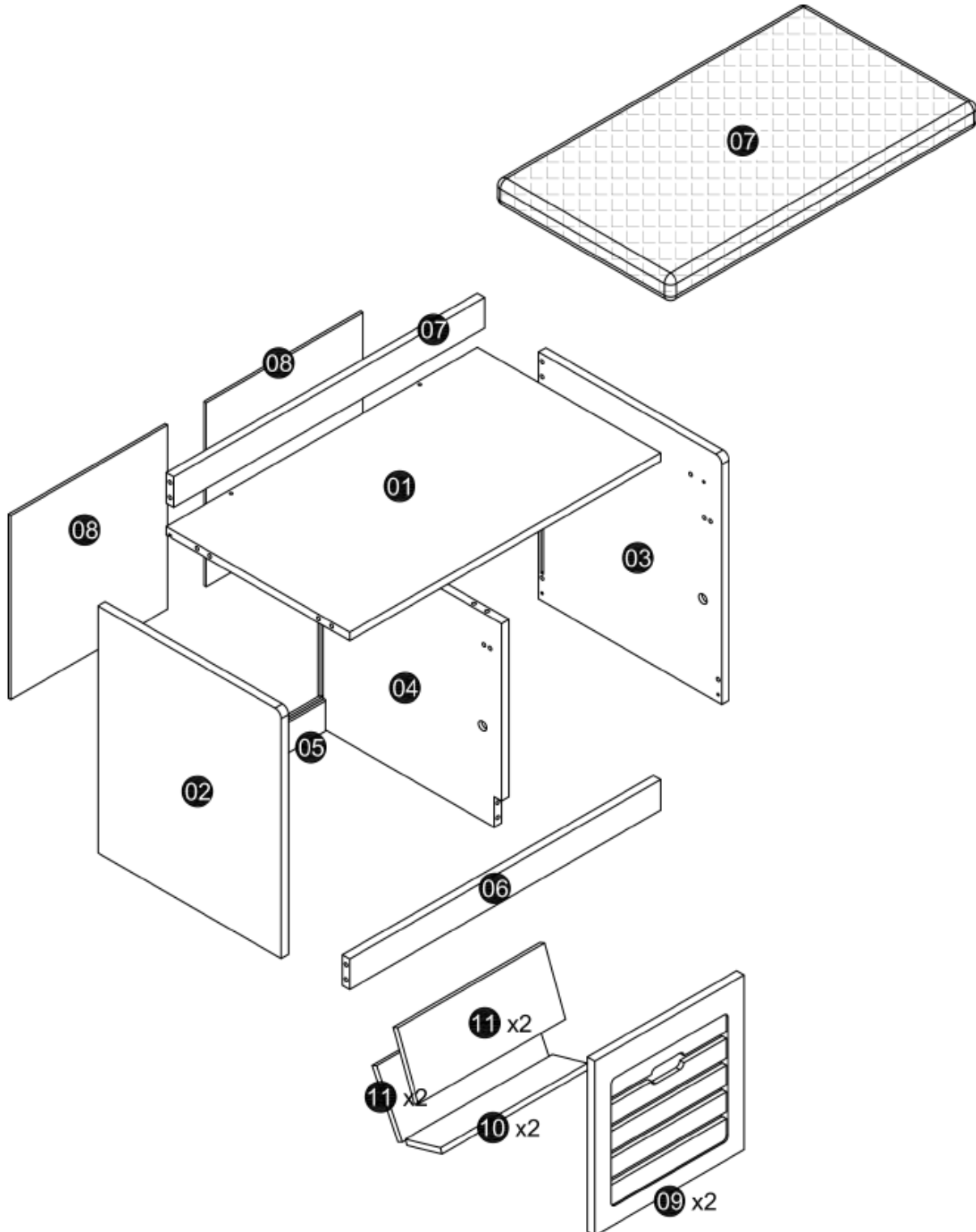
Tools required for assembly: Screwdriver, flat head screwdriver, hammer, and measuring tape.

CARTON CONTENTS:

A x12 	B x12 	C x16  Ø6 x30mm	D x4 	E x4 
F x4 	G x2 	H x4  Ø3.5 x15mm	I x2 	J x2 
K x12  Ø3.5 x12mm	L x12  Ø3.5 x10mm			

Product Name:	White Wood 8-Pair Shoe Storage Bench
SKU #:	WHIF898

PANEL CONTENTS:

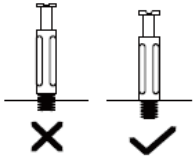


Product Name:	White Wood 8-Pair Shoe Storage Bench
SKU #:	WHIF898

Assembly Instructions:

Step 1

Make sure the pins are installed correctly as shown with the “check mark” below:



Below shows how the pins are used to assemble the panels together.

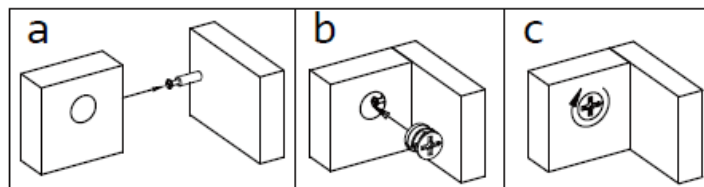
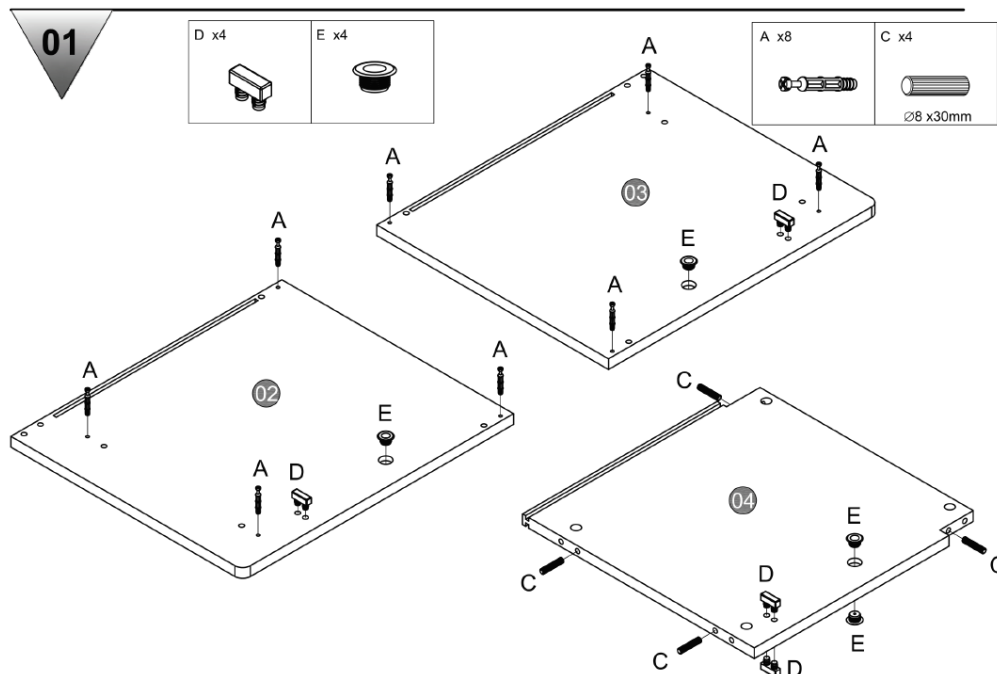


FIGURE A

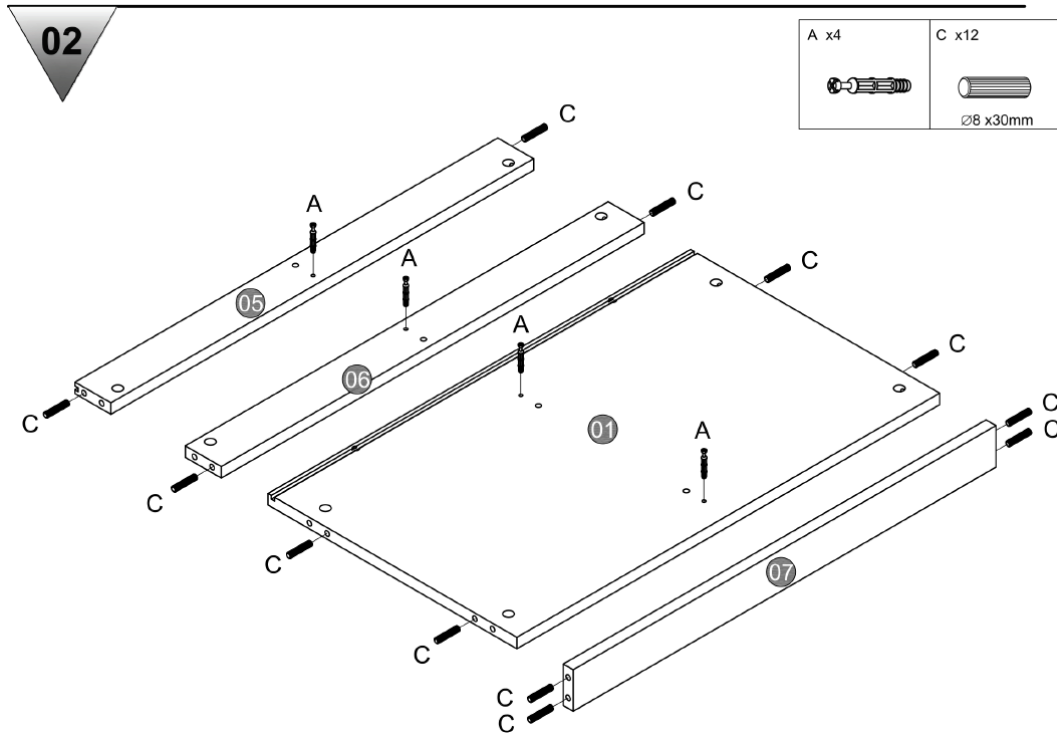
Place panels (2, 3, 4) on a soft flat surface. Insert and screw in A as seen below. Insert D and E as seen below. Insert C to inner top hole of panels (4).



Product Name:	White Wood 8-Pair Shoe Storage Bench
SKU #:	WHIF898

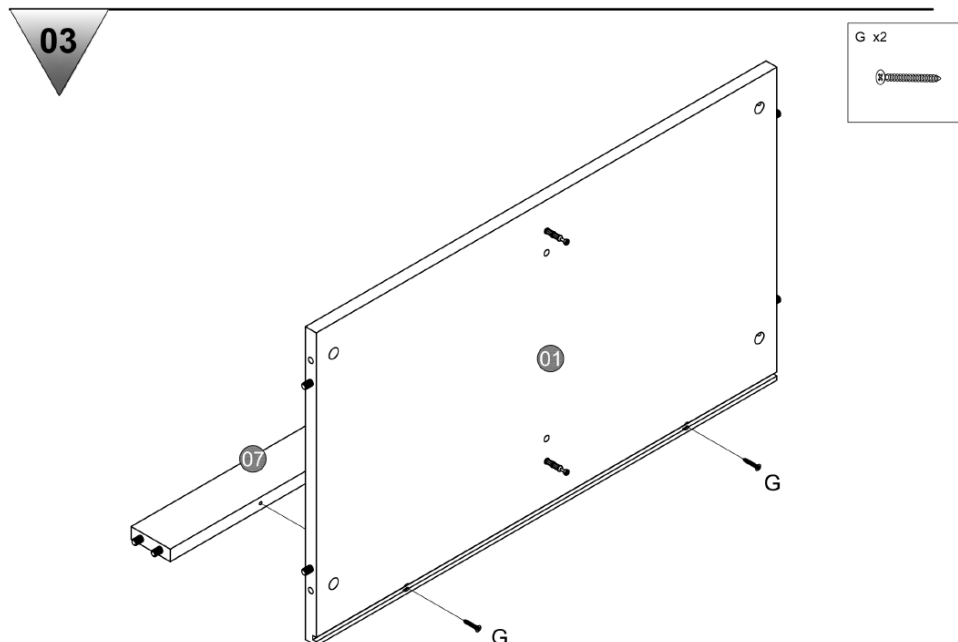
Step 2

With panels (1, 5, 6, 7), insert and screw in A. Insert C to inner top hole of panels.



Step 3

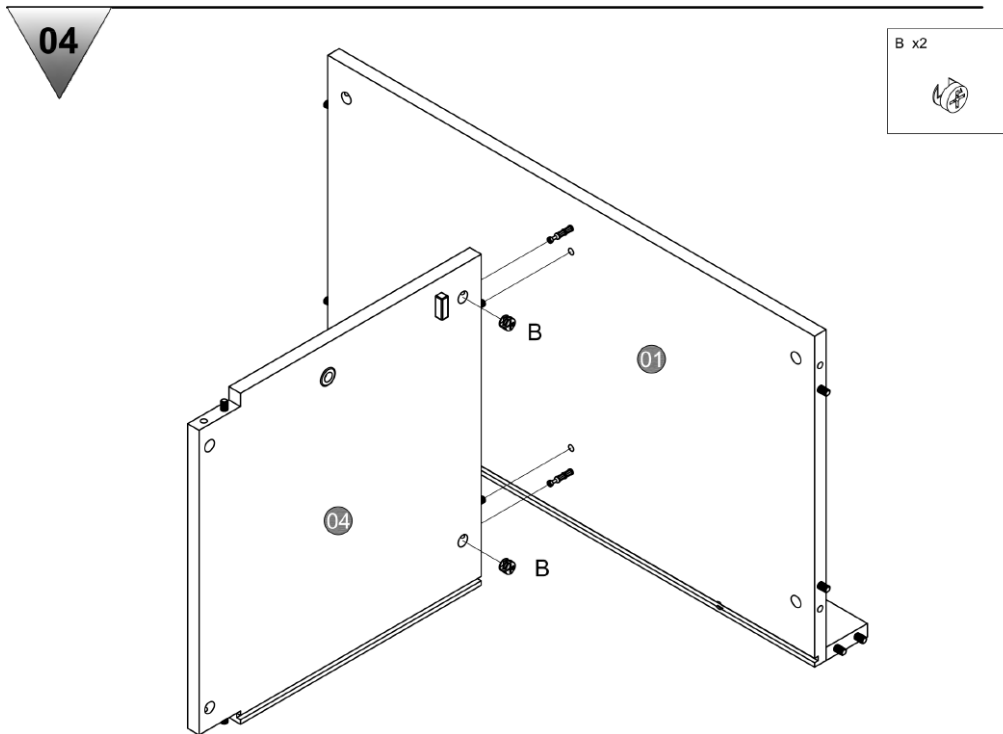
Align panels 7 and 1. Screw in G.



Product Name:	White Wood 8-Pair Shoe Storage Bench
SKU #:	WHIF898

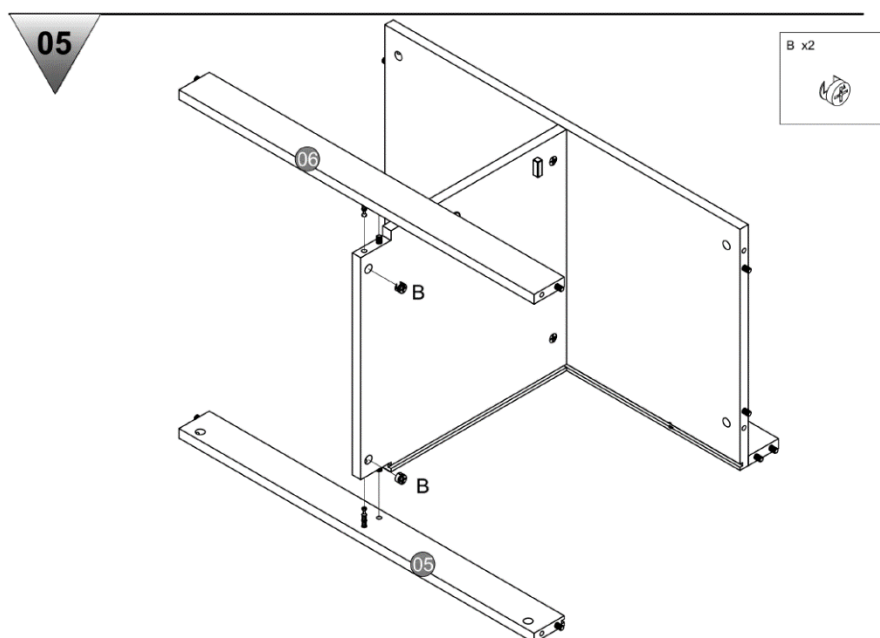
Step 4

With panel 4, align and insert panel 1. Screw in B to lock in place.



Step 5

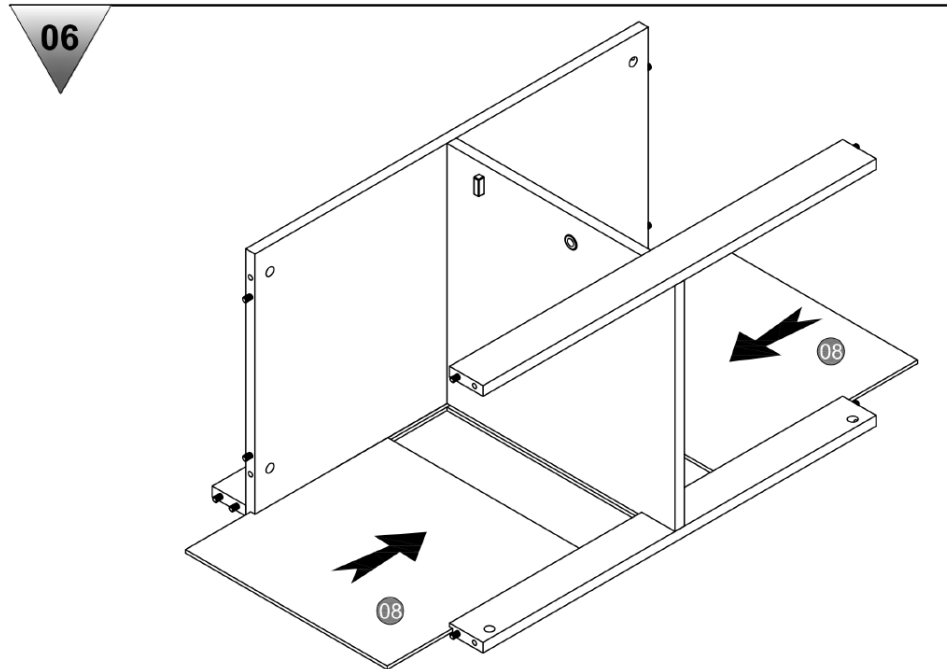
Insert panels 6 and 5 to panel 4. Screw in B to lock in place.



Product Name:	White Wood 8-Pair Shoe Storage Bench
SKU #:	WHIF898

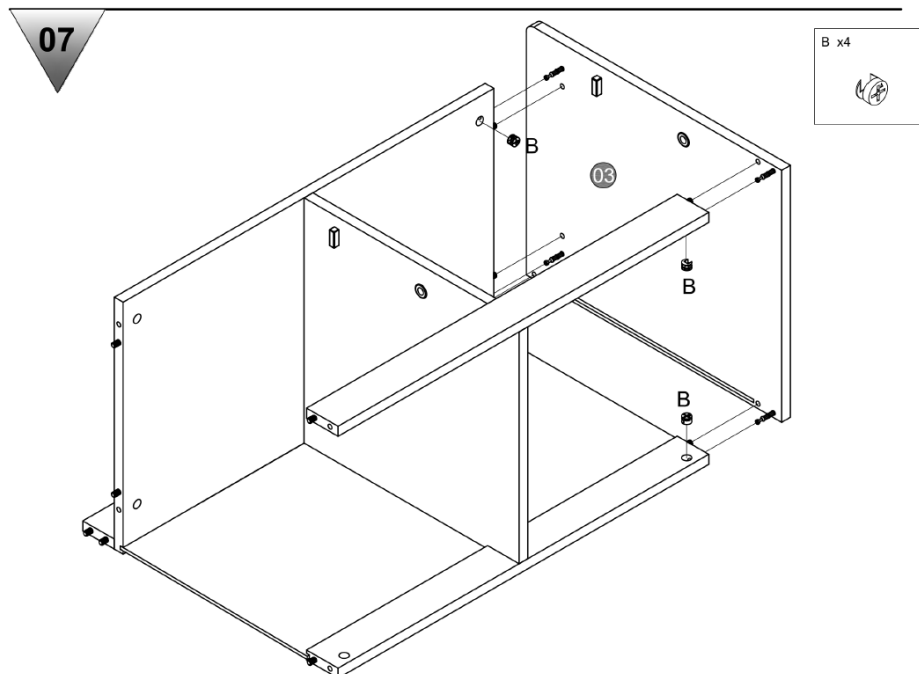
Step 6

Slide in panels 8 in each slot.



Step 7

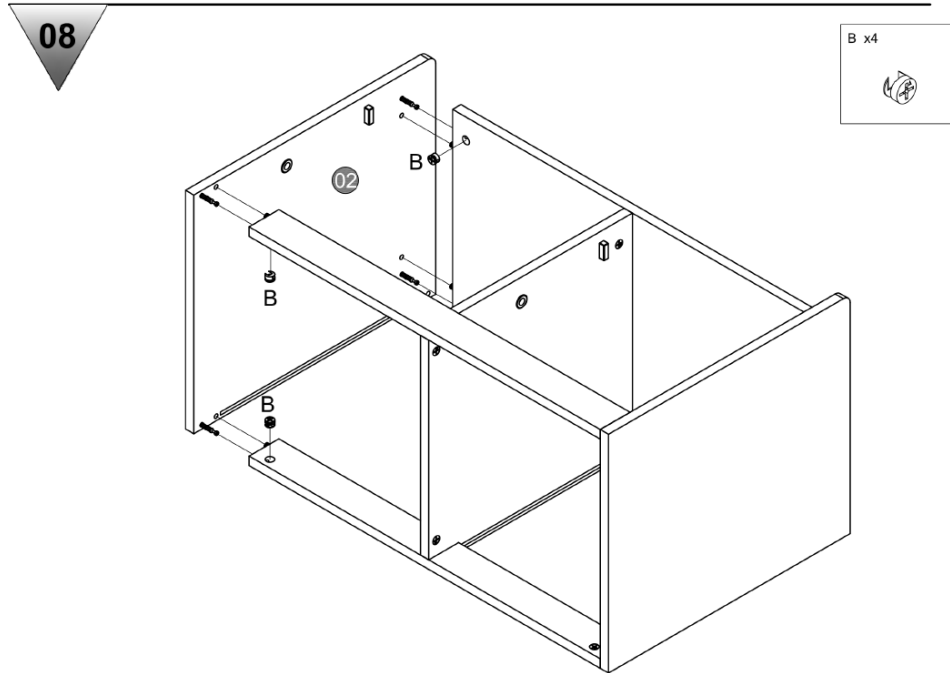
Insert panel 3 to panels (1, 5, 6). Screw in B to lock in place.



Product Name:	White Wood 8-Pair Shoe Storage Bench
SKU #:	WHIF898

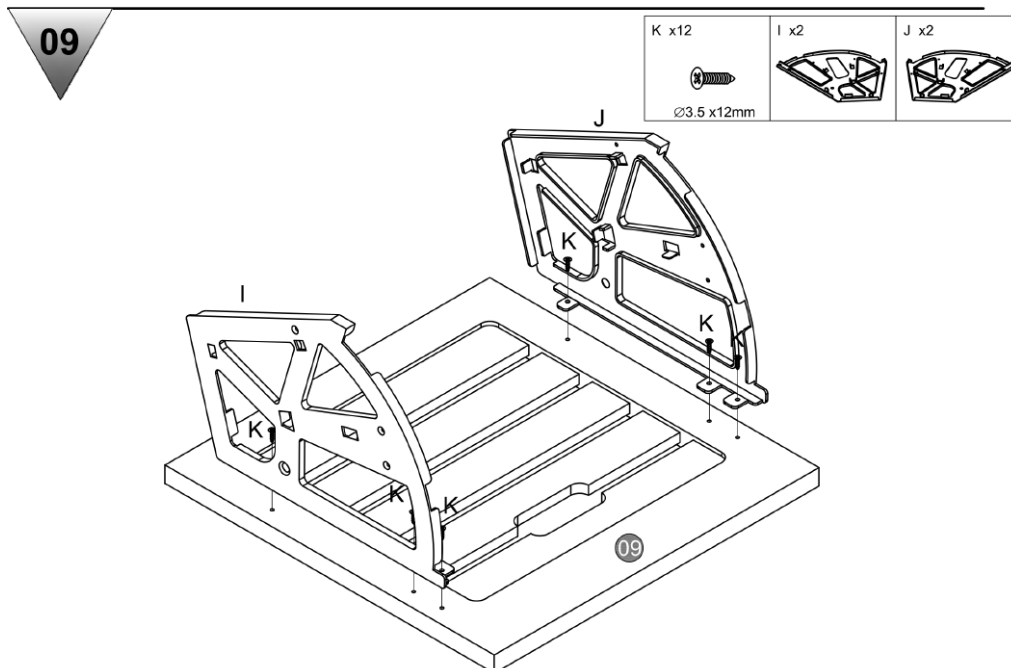
Step 8

Insert panel 2 to panels (1, 5, 6). Screw in B to lock in place.



Step 9

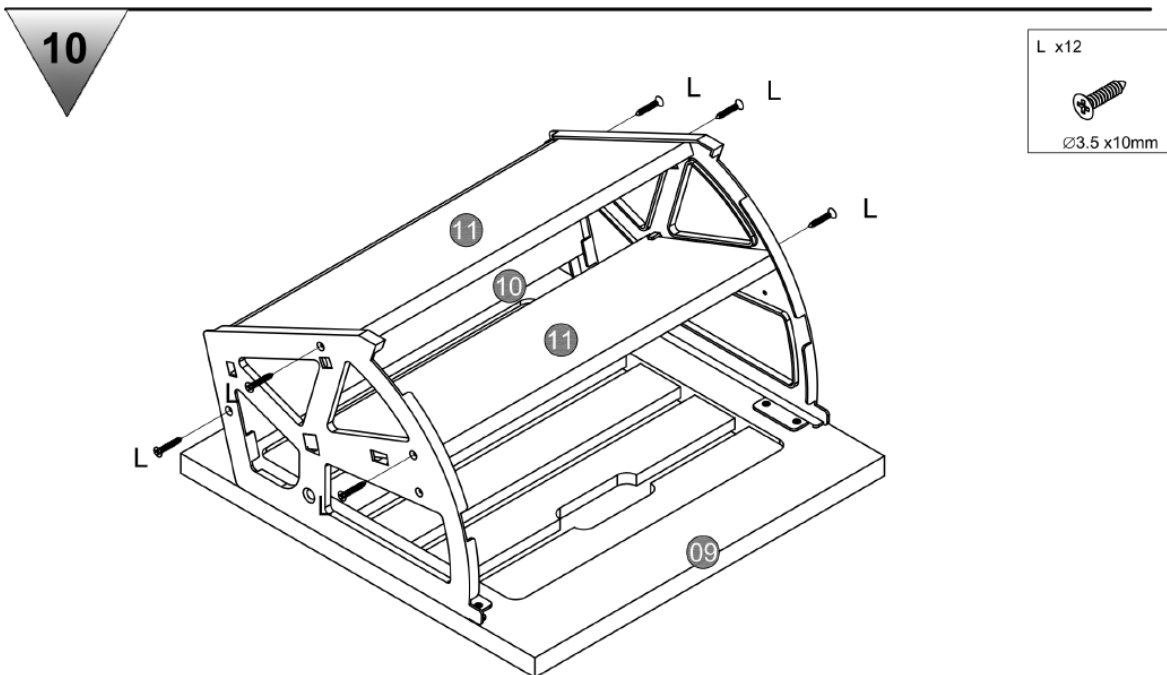
Align I and J to panel 9 and screw in K.



Product Name:	White Wood 8-Pair Shoe Storage Bench
SKU #:	WHIF898

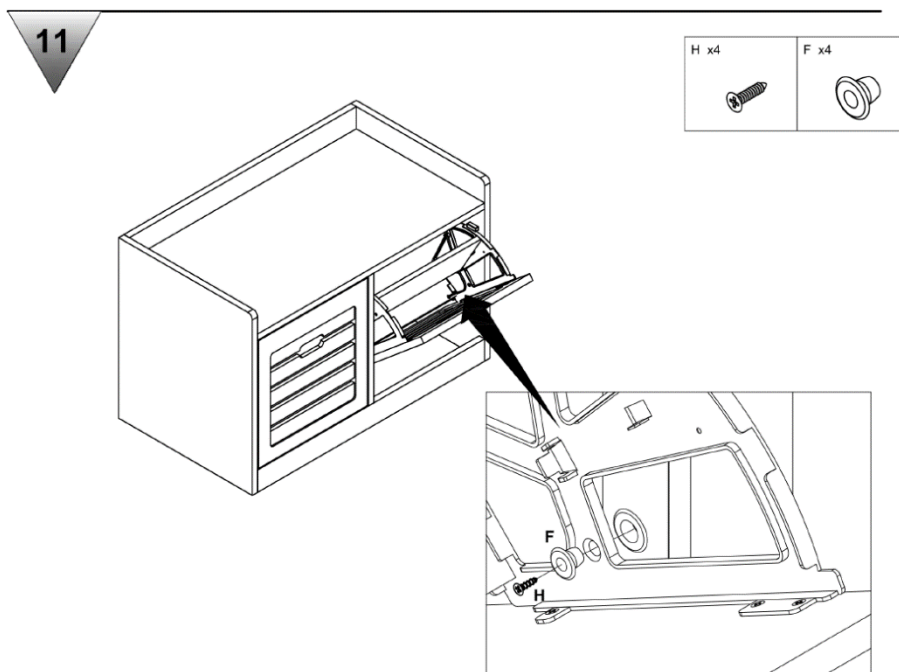
Step 10

Align panels (10, 11, 12) to I and J and screw in L.



Step 11

Place drawer in cabinet. Insert F to I and J. Screw in H.

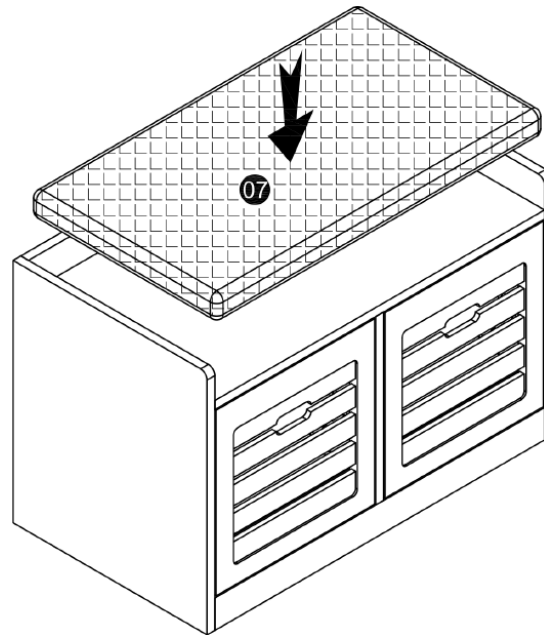


Product Name:	White Wood 8-Pair Shoe Storage Bench
SKU #:	WHIF898

Step 12

Place cushion on cabinet.

12



Special Warnings and Cautions:

To avoid injury and/or damage, please do not misuse bench as this may cause serious bodily injuries and/or product damage.