



**Pls Check to make sure you have all parts otherwise contact local retailer or Sunset Trading customer service at 877-364-8464"

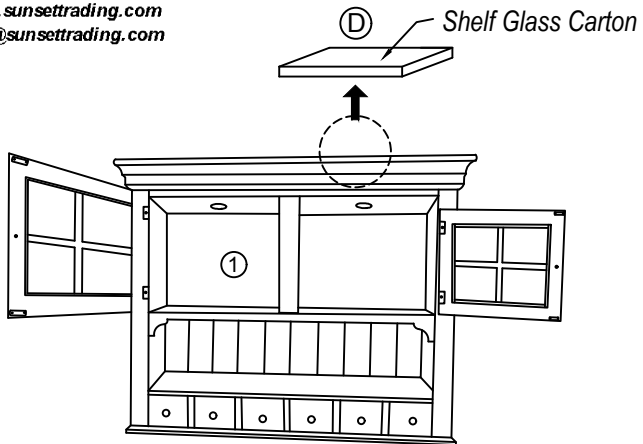
Thank you for purchasing this Quality product. It has been engineered for easy assembly yet constructed for durability. Please take the time to read and follow the instructions while assembling. Please be sure to read the Notes section at the bottom of the page before beginning Assembly. Thank You

ASSEMBLY INSTRUCTION
COUNTRY GROVE HUTCH & BUFFET
 Model : DLU-CG-HUT/BUF-GO (HB1333)

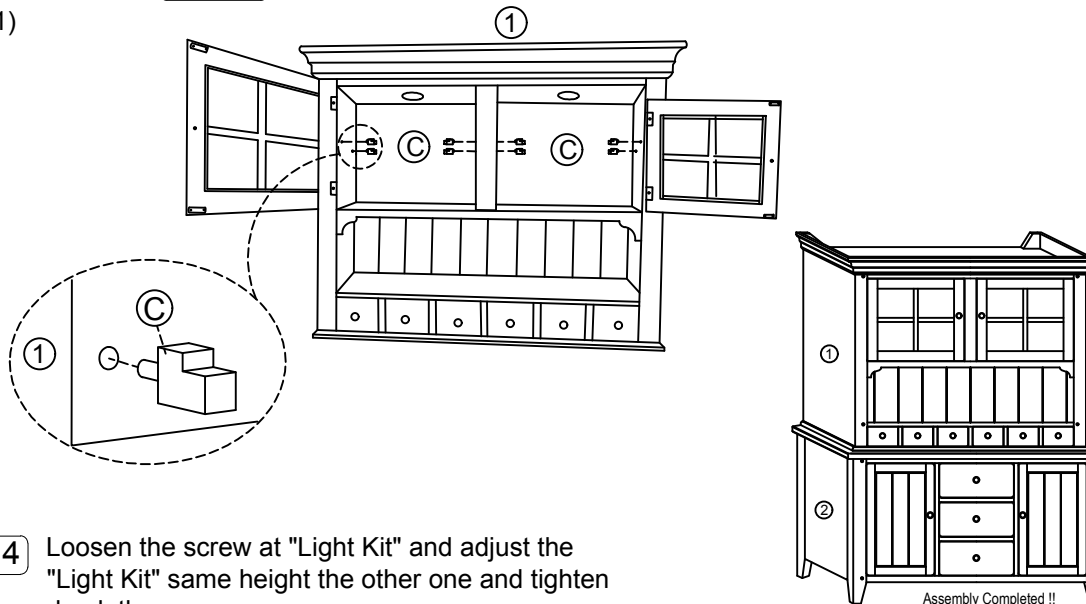
Sunset Trading®
 a div of Sunset Furniture Intl LLC
 701 E Industrial PK Dr
 Manchester NH 03109
 877-364-8464
 www.sunsettrading.com
 info@sunsettrading.com

Step 1

*Remove the glass pack on the Hutch (1)



Step 2 Install the Shelf support (C)



List of Part For 1 Set

①		Hutch	1
②		Buffet	1

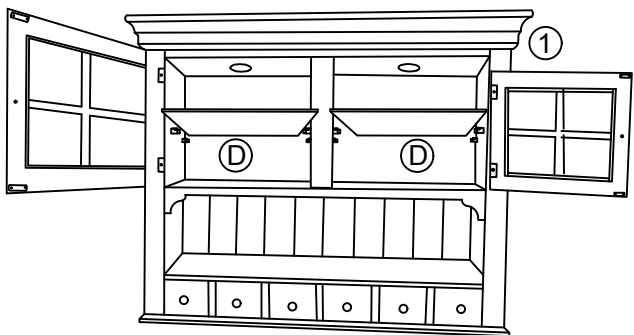
List of hardware For 1 Set

(A)		Metal Connector	2
(B)		CSKCB Screw M4 x 20mm	6
(C)		Shelf Support	8
(D)		Shelf Glass	2

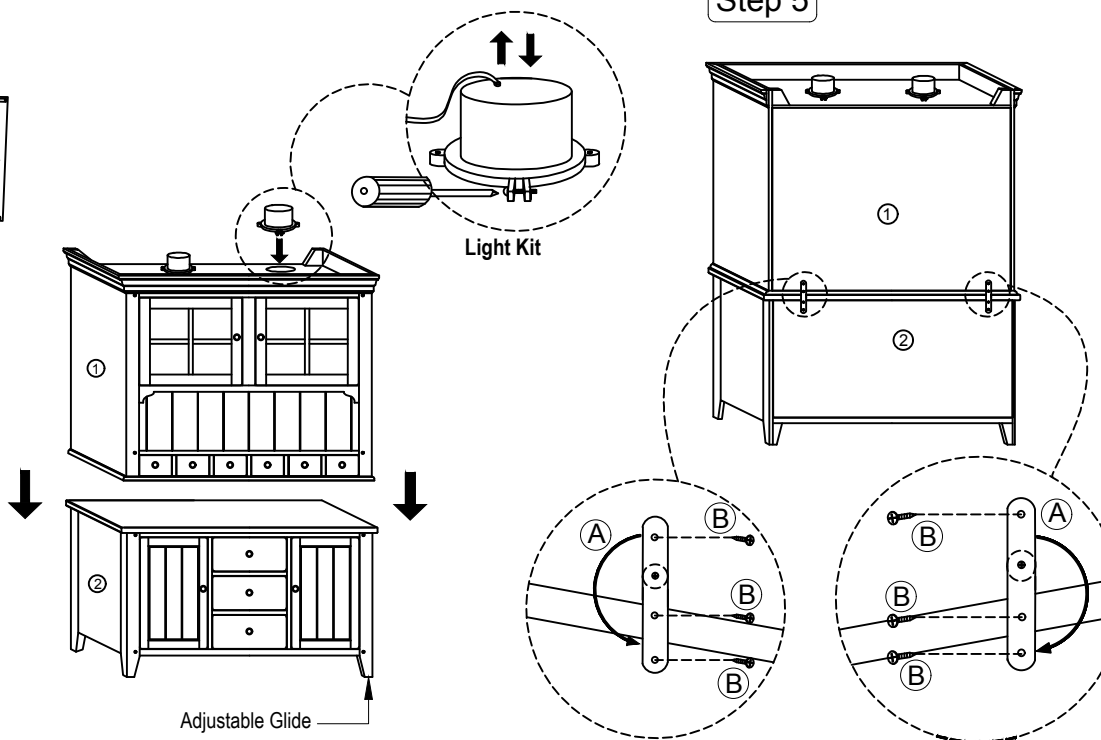
Step 4

Loosen the screw at "Light Kit" and adjust the "Light Kit" same height the other one and tighten back the screw.
 *Align and attach the Hutch(1) to the Buffet(2).

Step 3 Install the Shelf Glass (D)



Step 5



Important Notes

- * Keep all hardware parts out of reach of children.
- * Must tighten screws periodically. With use screws will become loose. Check tightness of all screws every 6-8 weeks.
- * Don't attempt to repair or modify parts that are broken or defective. Please contact the store immediately.
- * Do not tighten all screw / bolt until all completely assembled

Notes

- * Place all wooden parts on a clean and smooth surface such as a rug or carpet to avoid the parts from being scratched.
- * Check to be sure that you have all parts and hardware.
- * Remove all wrapping materials including staples & packing straps before you start to assemble.

MADE IN MALAYSIA

