

**ASSEMBLY INSTRUCTION  
PUB TABLE**




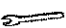
**IMPORTANT SAFETY CONSTRUCTION**

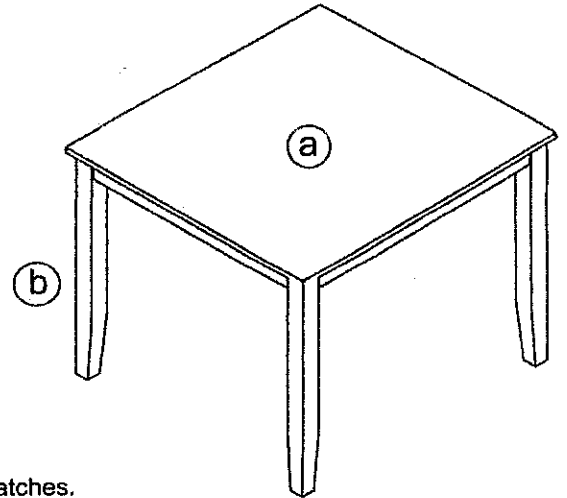
Thanks for purchasing this quality product. Be sure to check all packing material carefully for small parts that may have come loose inside the carton during shipment. Please read all instruction carefully before assembling. For your safety, assembly by two people is recommended.

**PARTS INCLUDED**

- (1) Table Top (a)
- (4) Table Leg (b)

**HARDWARE ENCLOSED**

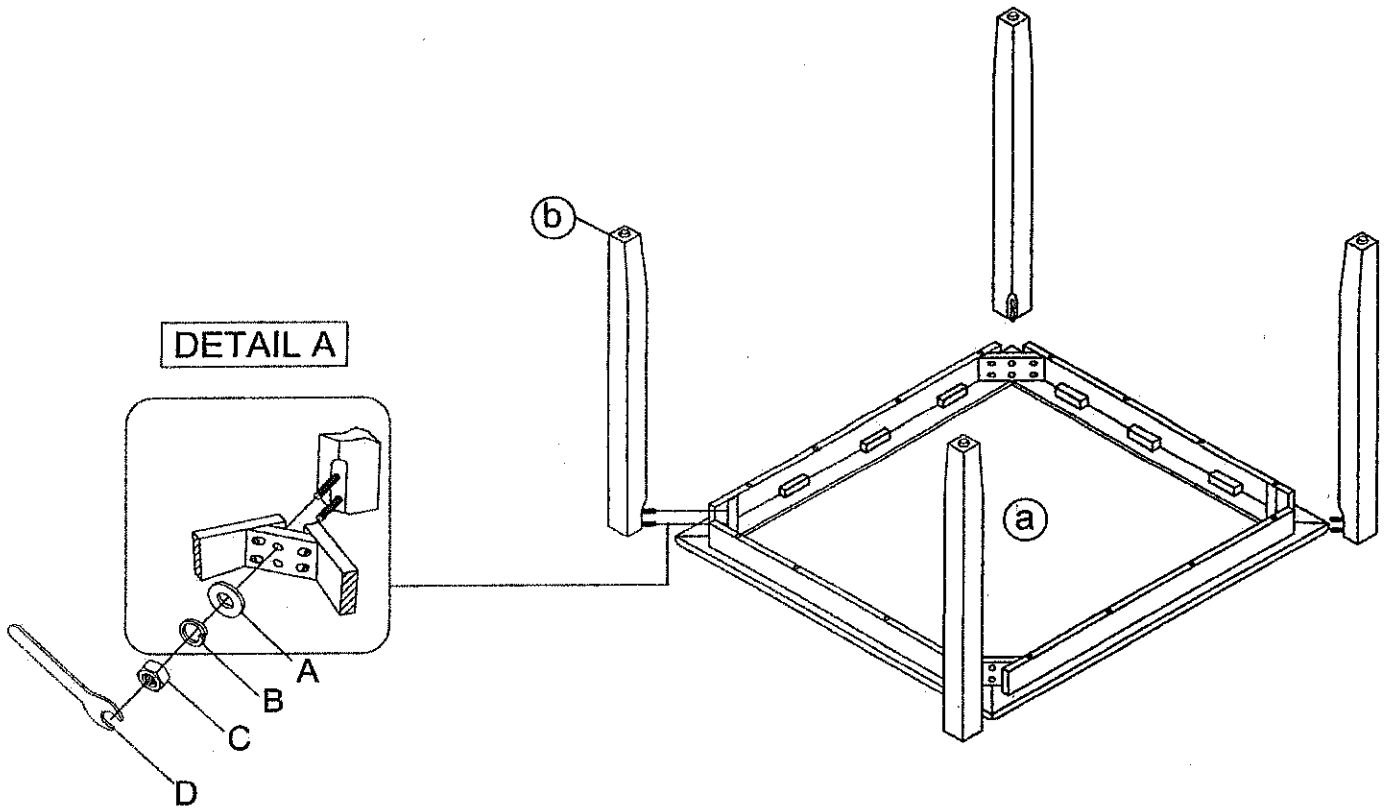
- A 8 x  Ø8 x 19mm
- B 8 x  Ø8 x 13mm
- C 8 x  Ø8
- D 1 x 



**ASSEMBLY INSTRUCTIONS**

**STEP 1:**

- Carefully lay Table Top upside down on a smooth flat surface to prevent scratches.
- Affix each Leg to each corner of the Table Top as shown in illustration. Insert a Flat Washer (A), Lock Washer (B) and Nut (C) on to the bolts of each Leg.
- Once all Legs are in place, fully tighten nuts by using clockwise using provided Key Wrench until secure. (See Detail A).



**NOTES:**

The use of power tools for assembly is not recommended. Power tools can damage hardware or split wood.