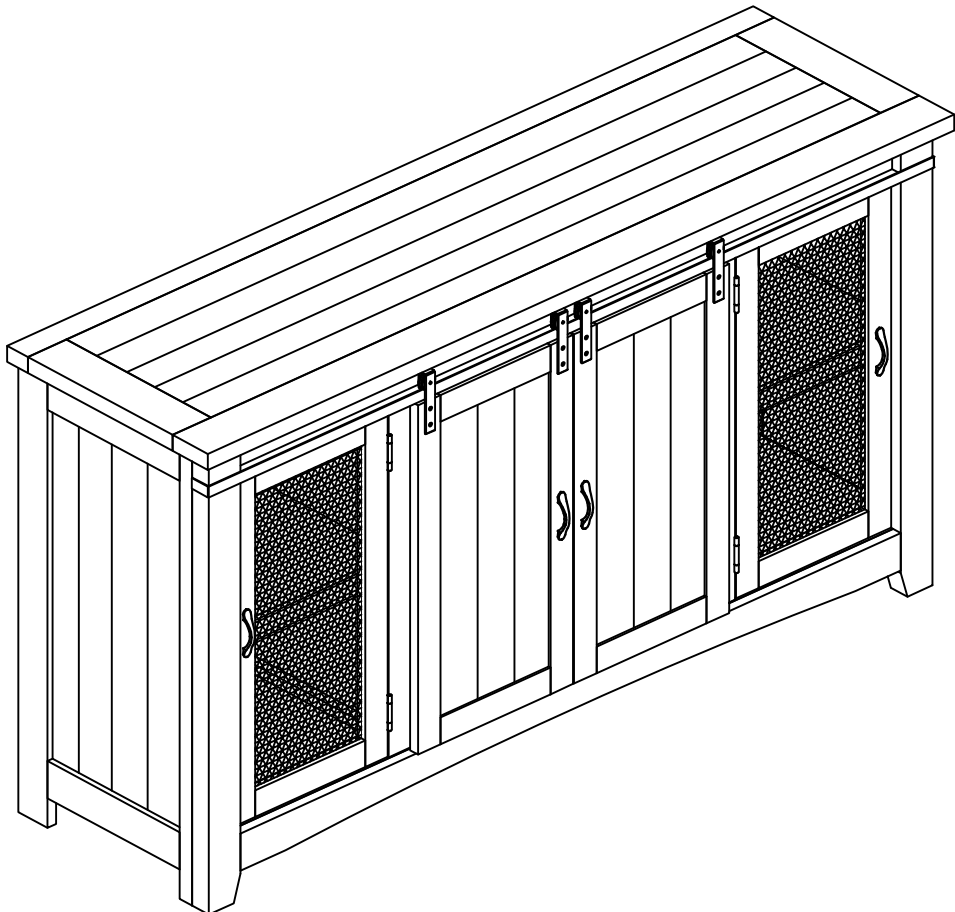


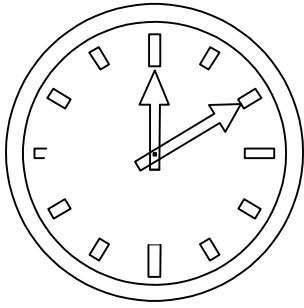
# Assembly Instructions

90903 Aspen  
90905 Santa Fe  
90906 Taos  
90907 Omaha  
90908 Durango  
90909 Sierra

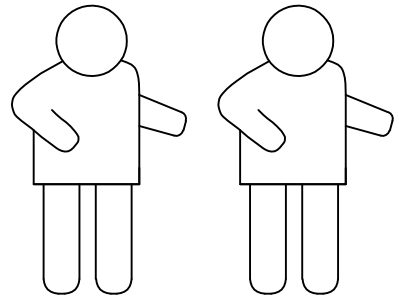
**Product Issues? Please Call Us Before Contacting Your Retailer  
At 1-800-549-3300**

**We can help with Assembly Issues, Part Requests,  
Damages, & All Other Product Related Questions**

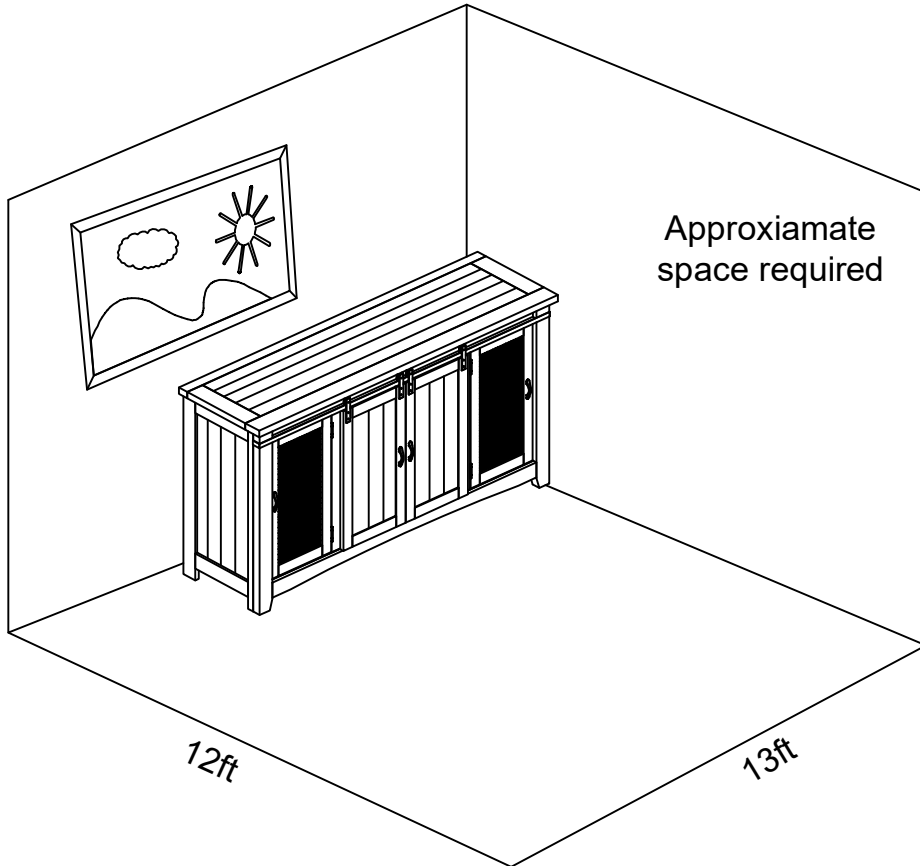




10 min



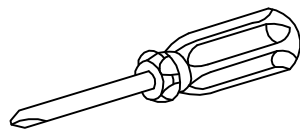
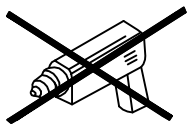
Two People Required



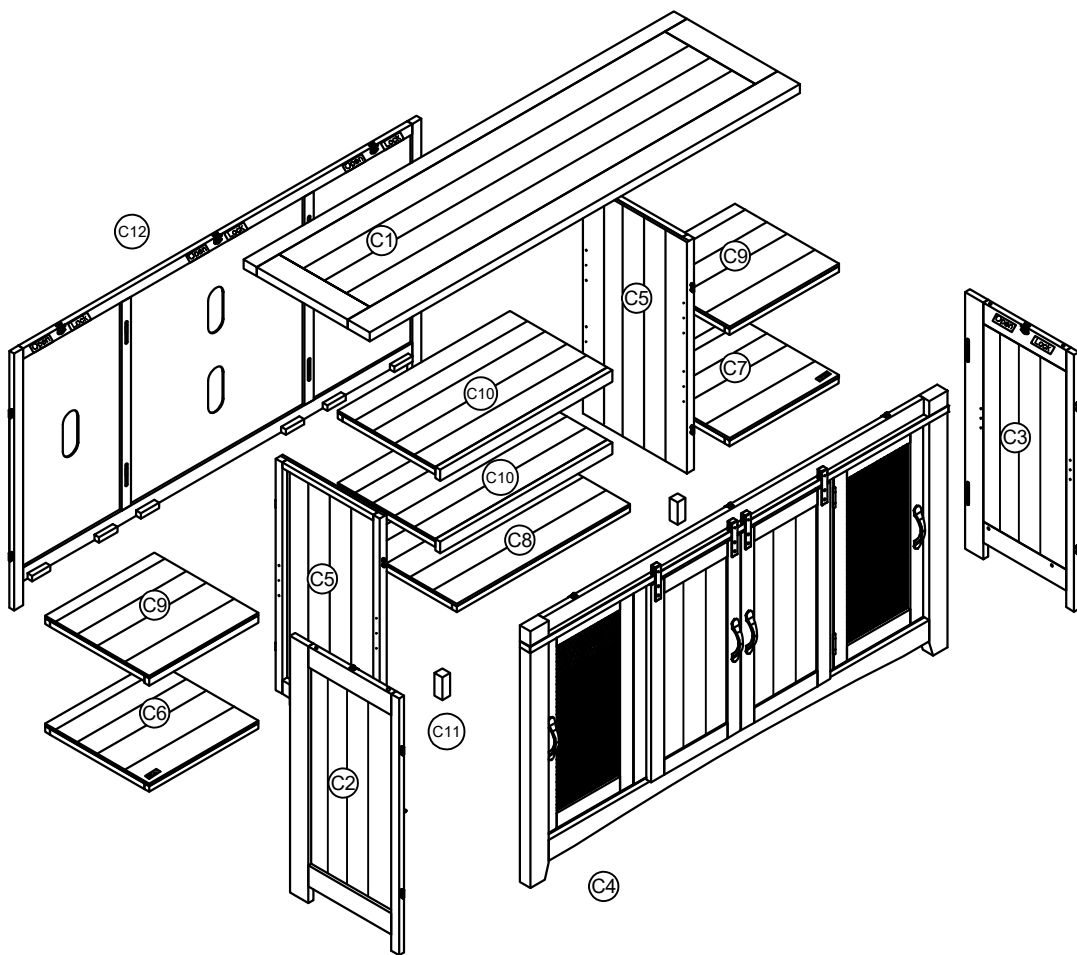
Approximate  
space required




12ft

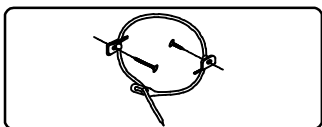
13ft



Phillips Head



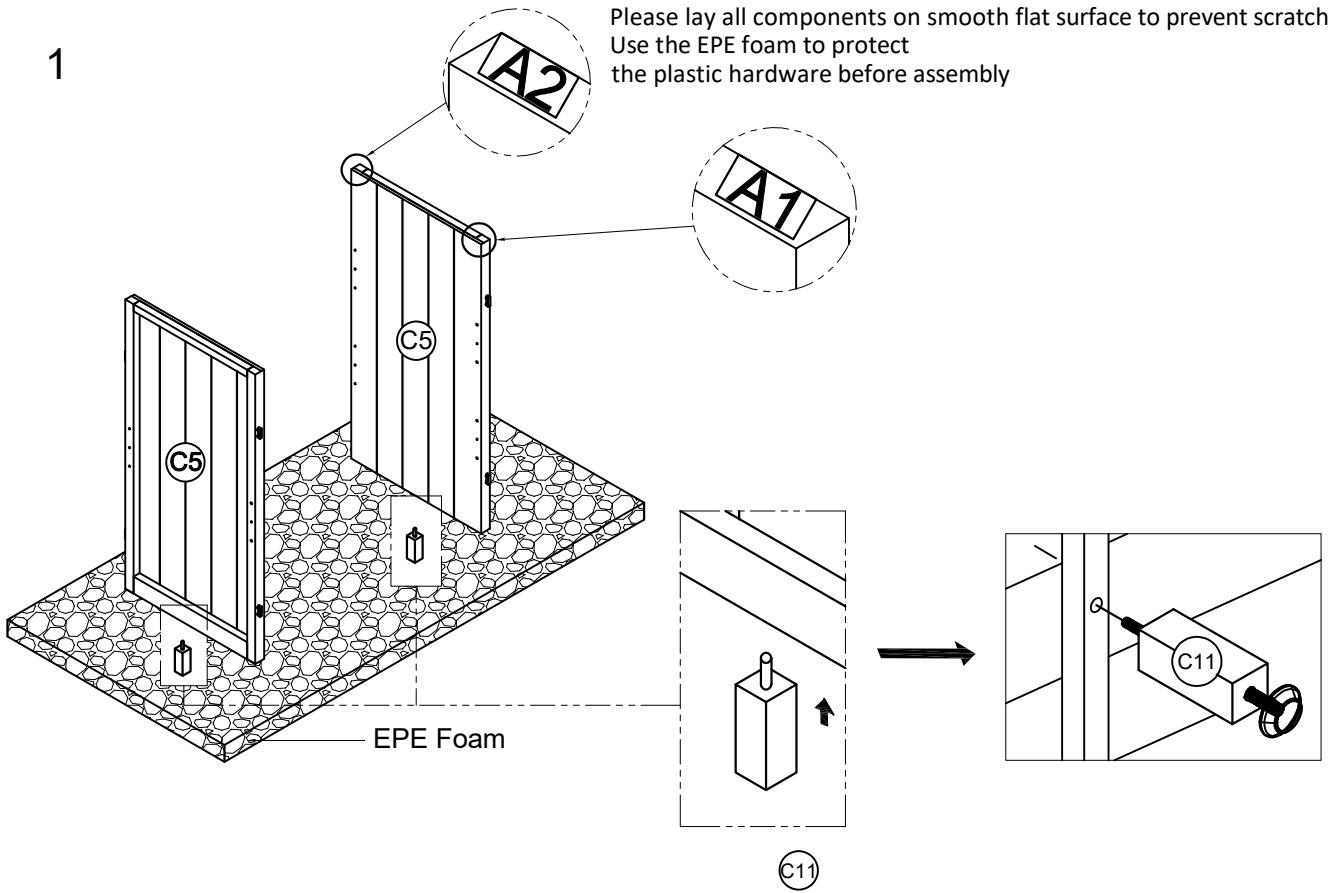
<p>A</p>  <p>Ø8x30 (mm) 4pcs</p>	<p>B</p>  <p>16pcs</p>	<p>C</p>  <p>Ø3.5x15 (mm) 16pcs</p>	
---	---	--	--



**ANTI-TIP SET**

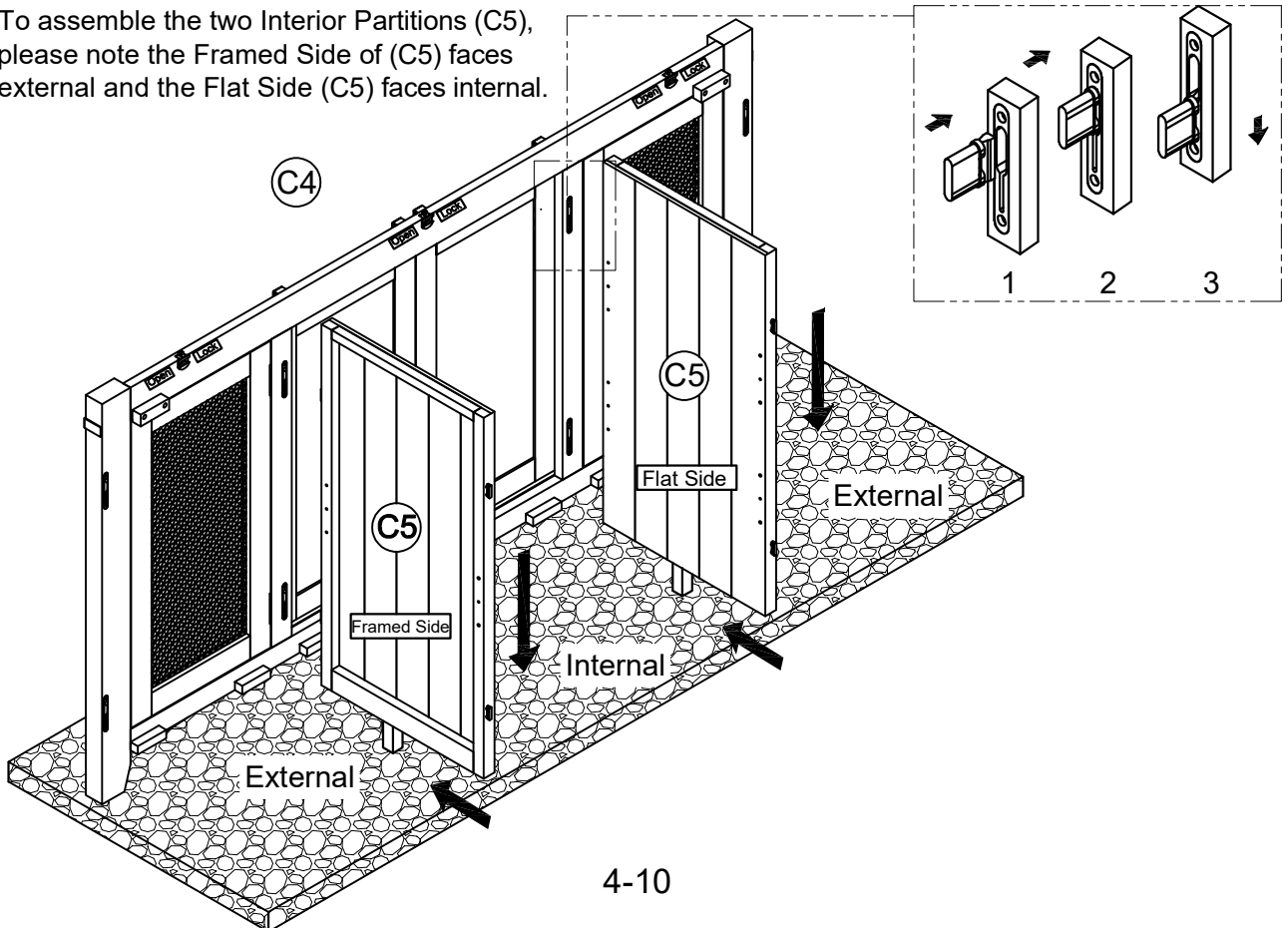
1

Please lay all components on smooth flat surface to prevent scratches  
Use the EPE foam to protect the plastic hardware before assembly

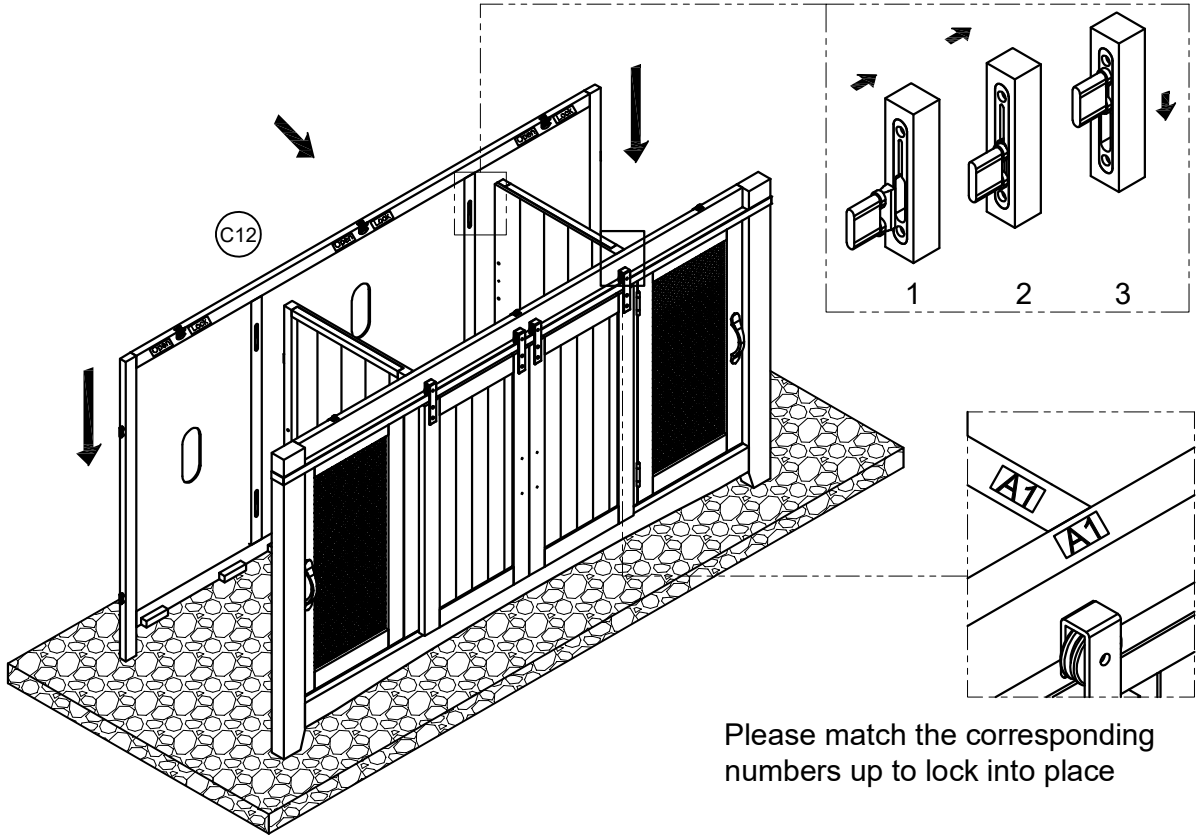


2

To assemble the two Interior Partitions (C5), please note the Framed Side of (C5) faces external and the Flat Side (C5) faces internal.

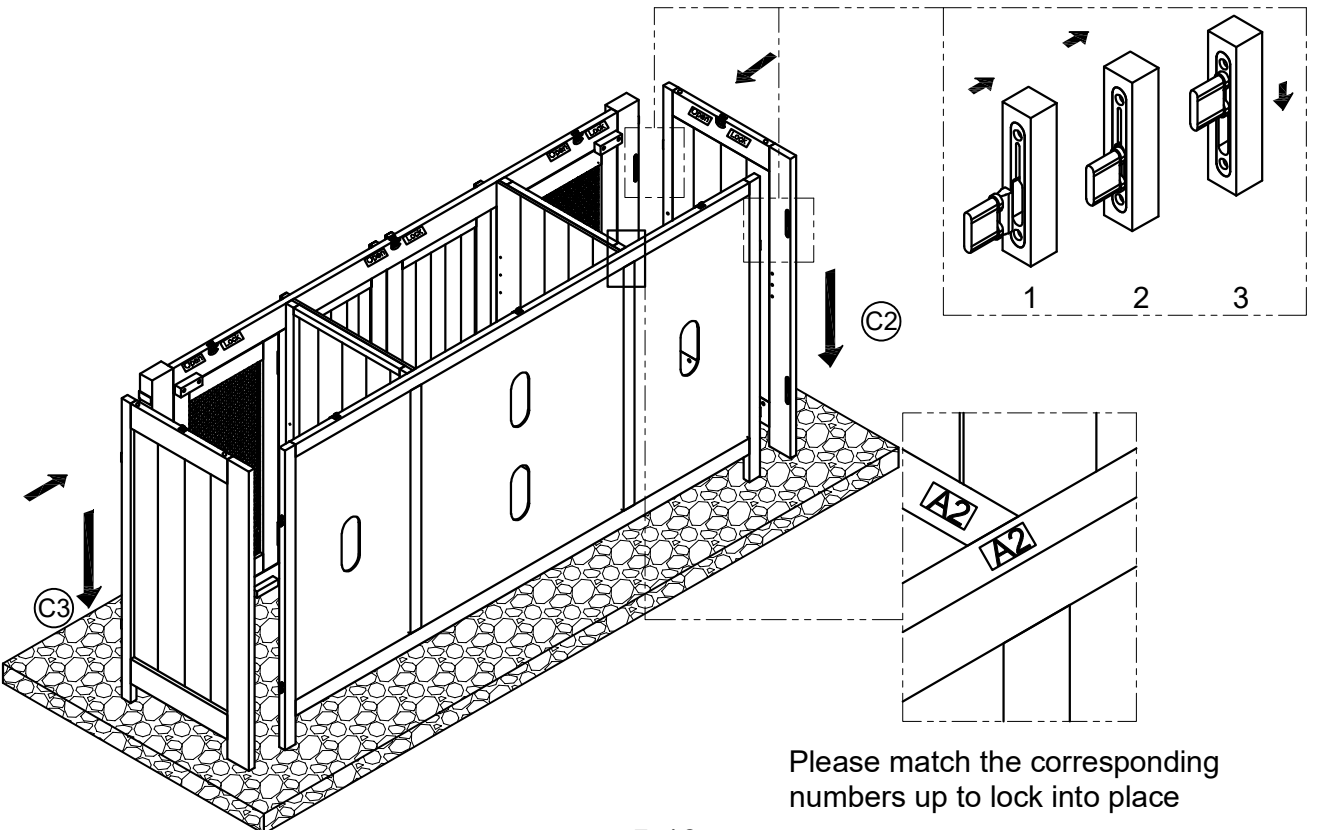


3



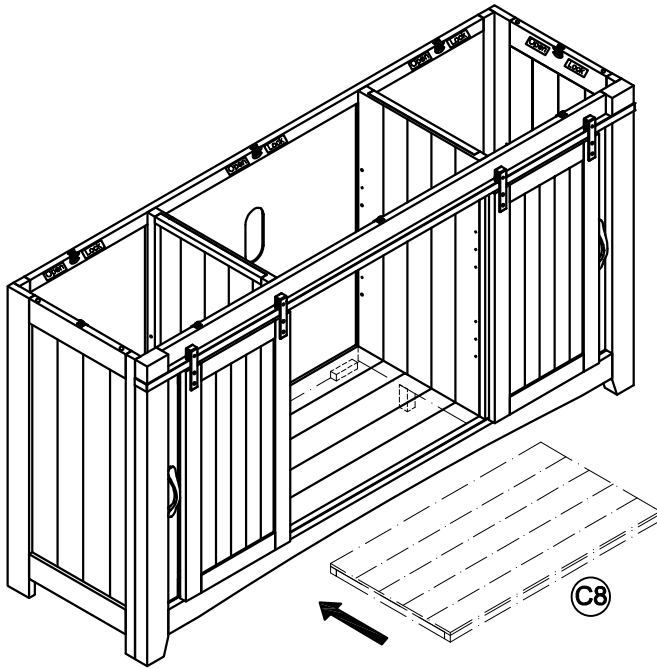
Please match the corresponding numbers up to lock into place

4

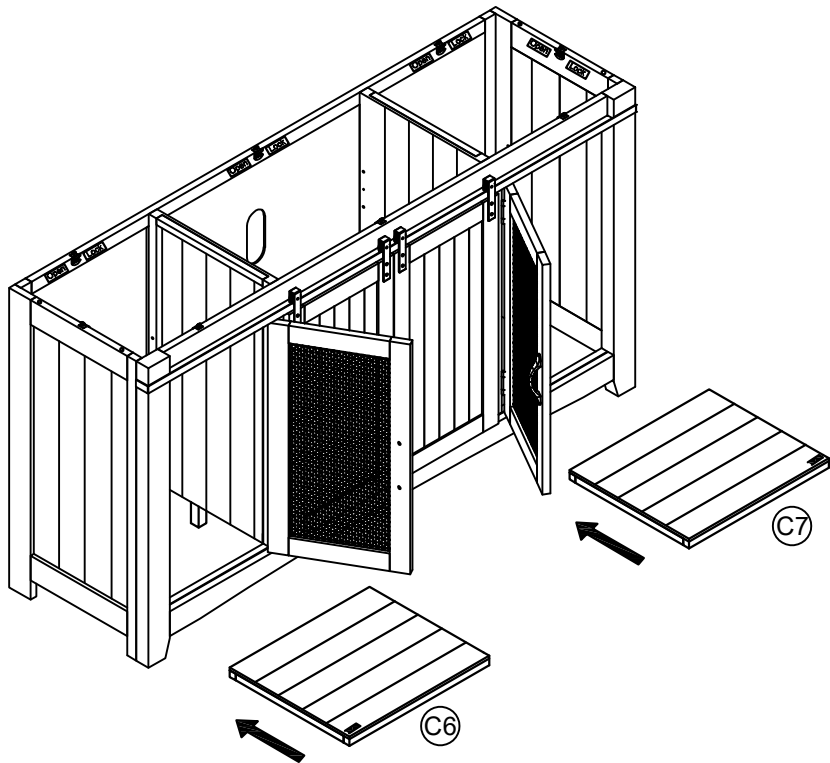


Please match the corresponding numbers up to lock into place

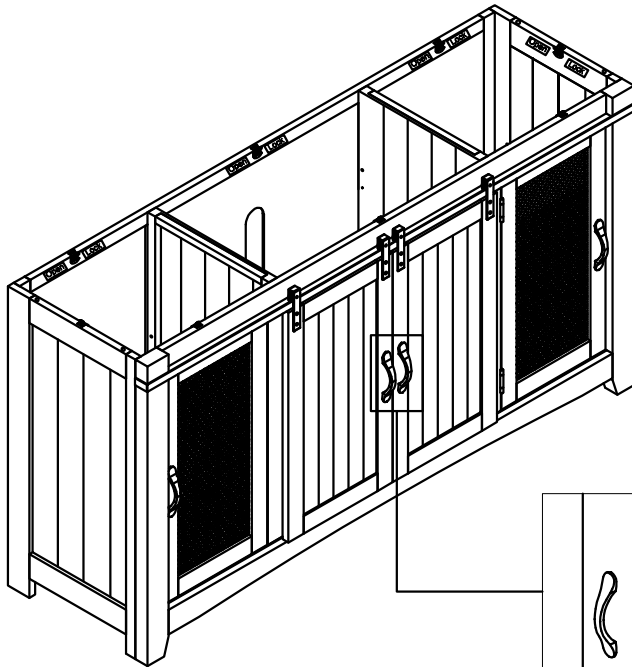
5



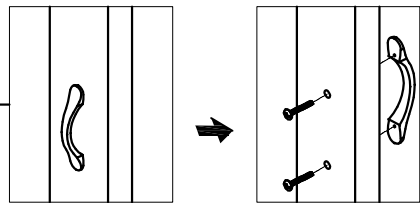
6



6-10



Handles intentionally placed backwards for shipping purposes. Please remove and re-install as pictured.

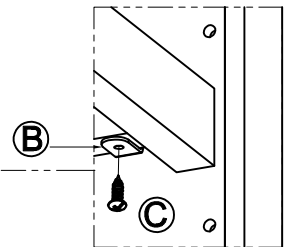
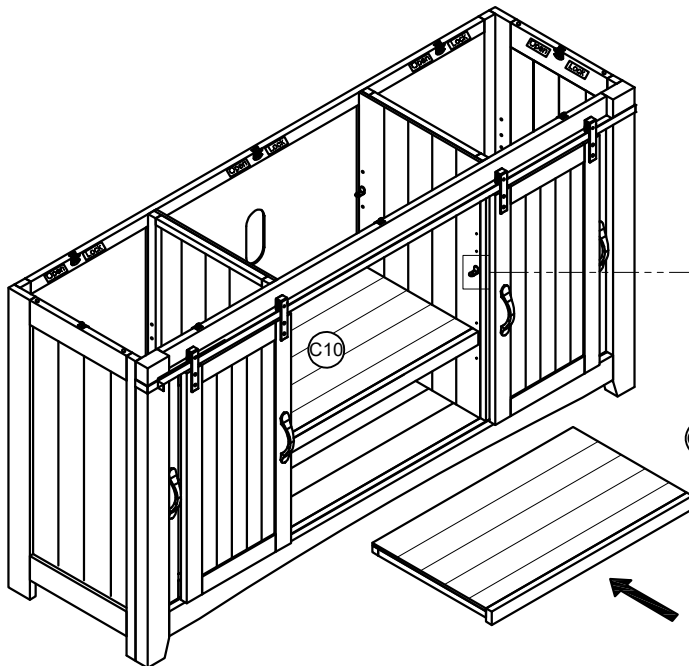


8

Bx8



Cx8



Ensure that side rail support is positioned under wood molding

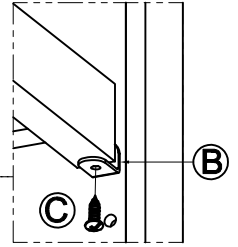
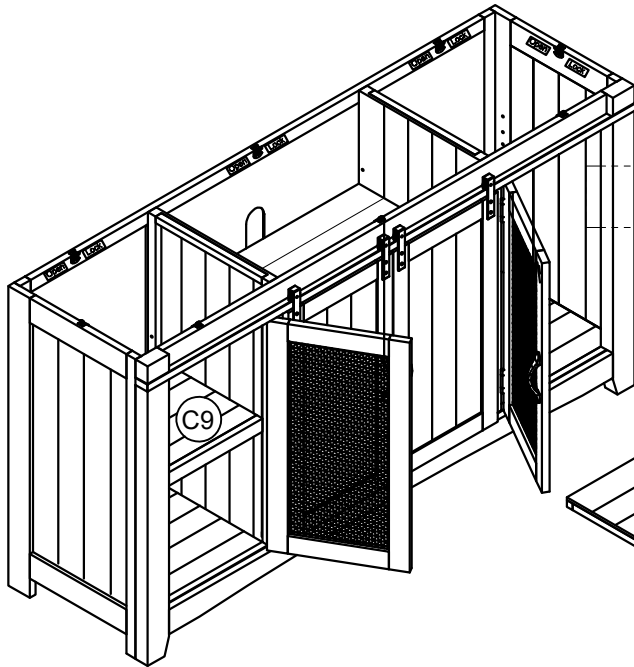
Optional Shelf Support Screw-in procedure:

- Start with 1st shelf first, ensure the side rail support is positioned under wood molding.
- Remove Bottom Panel (C8) before for installing lower shelf for screw access
- Place Bottom Panel (C8) back into place once screws have been installed

9 Bx8

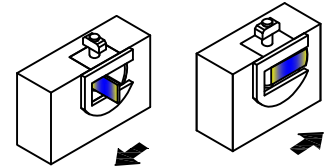
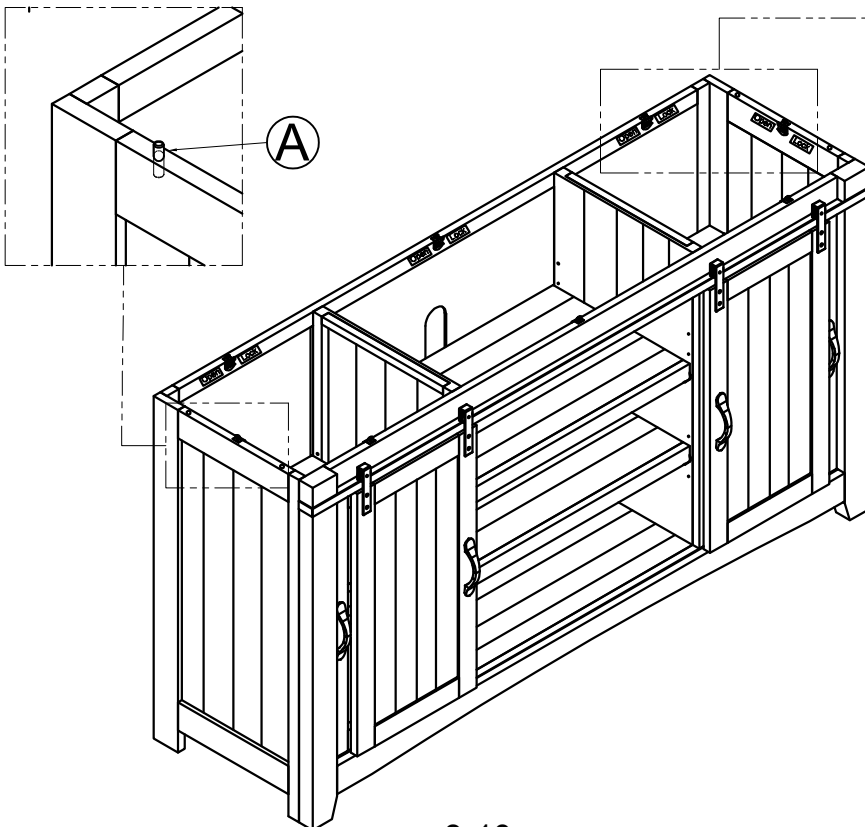


Cx8



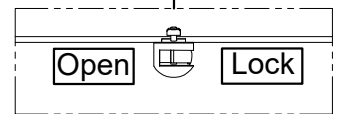
Ensure that front support is positioned under wood molding

10 Ax4



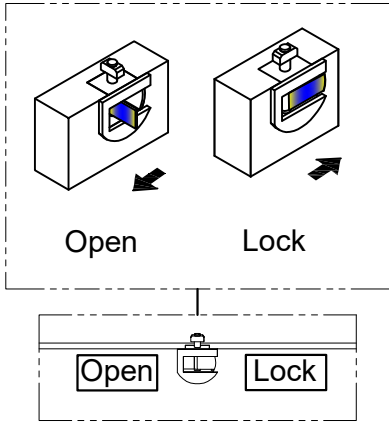
Open

Lock

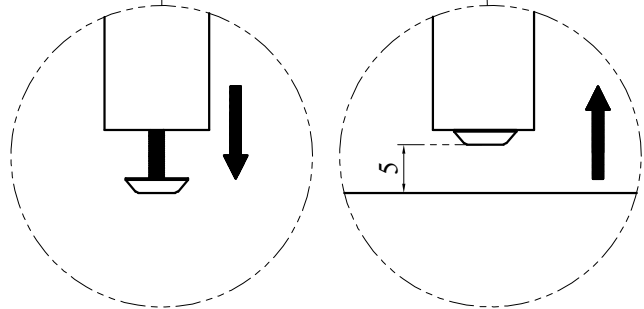
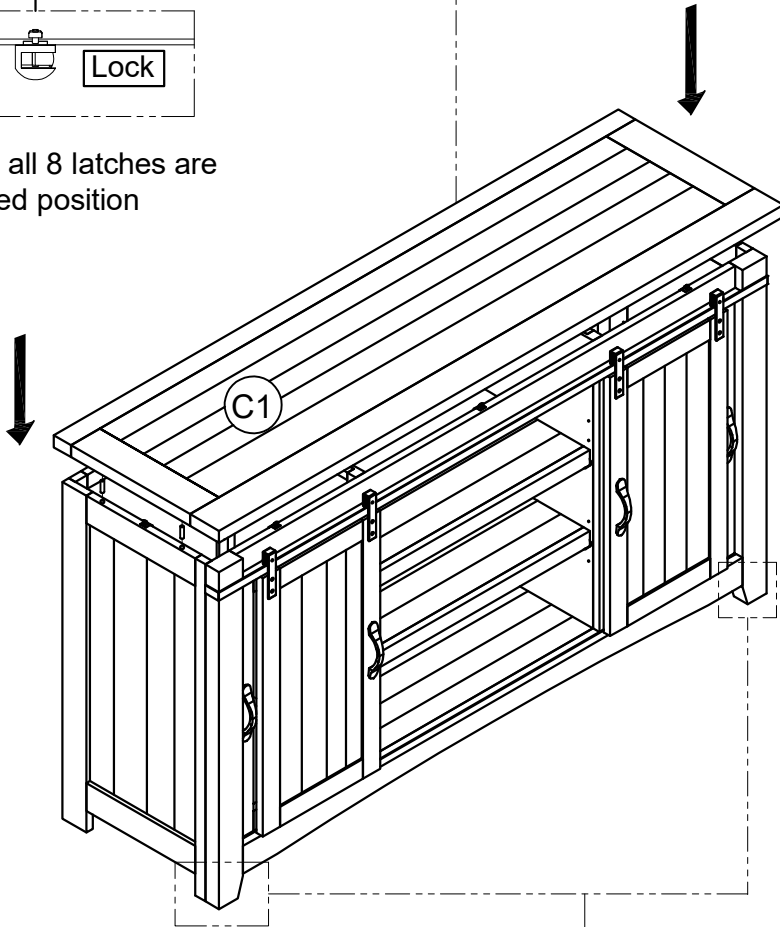


Make sure all latches are in the open position before installing Top Panel (C1)





Make sure all 8 latches are in the locked position



Adjustable Leveler Instructions

