

Assembly Instructions

90973 Rustic Corner - Antique White

90975 Rustic Corner - Antique Black / Honey

90976 Rustic Corner - Antique White / Honey

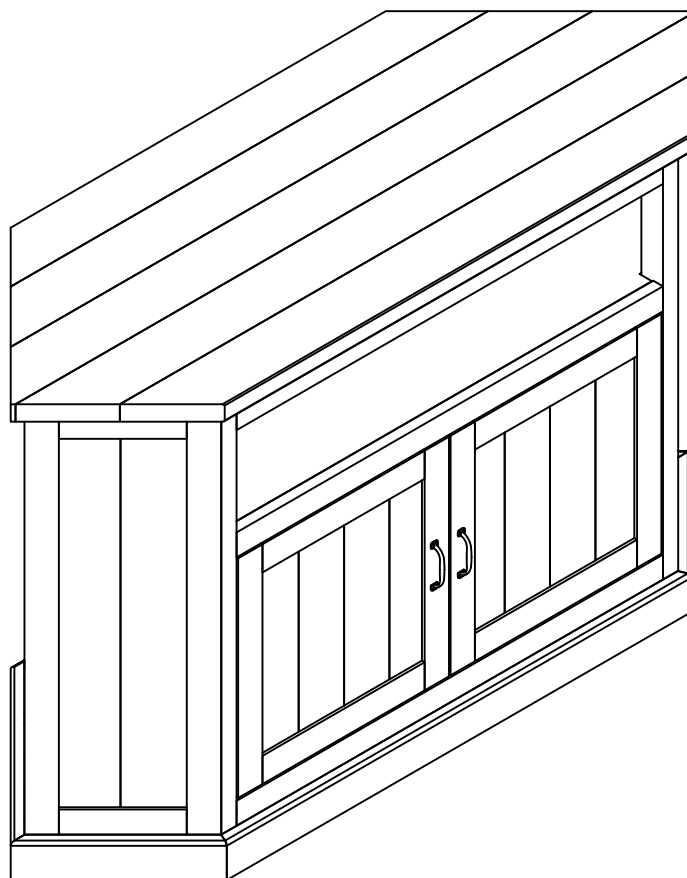
90978 Rustic Corner - Antique Espresso

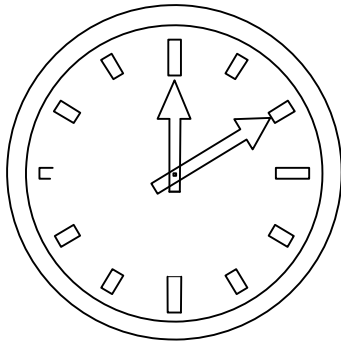
90979 Rustic Corner - Sierra / Grey

Product Issues? Please Call Us Before Contacting Your Retailer At

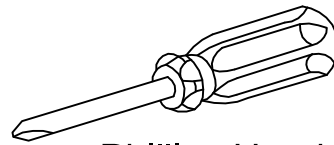
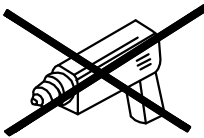
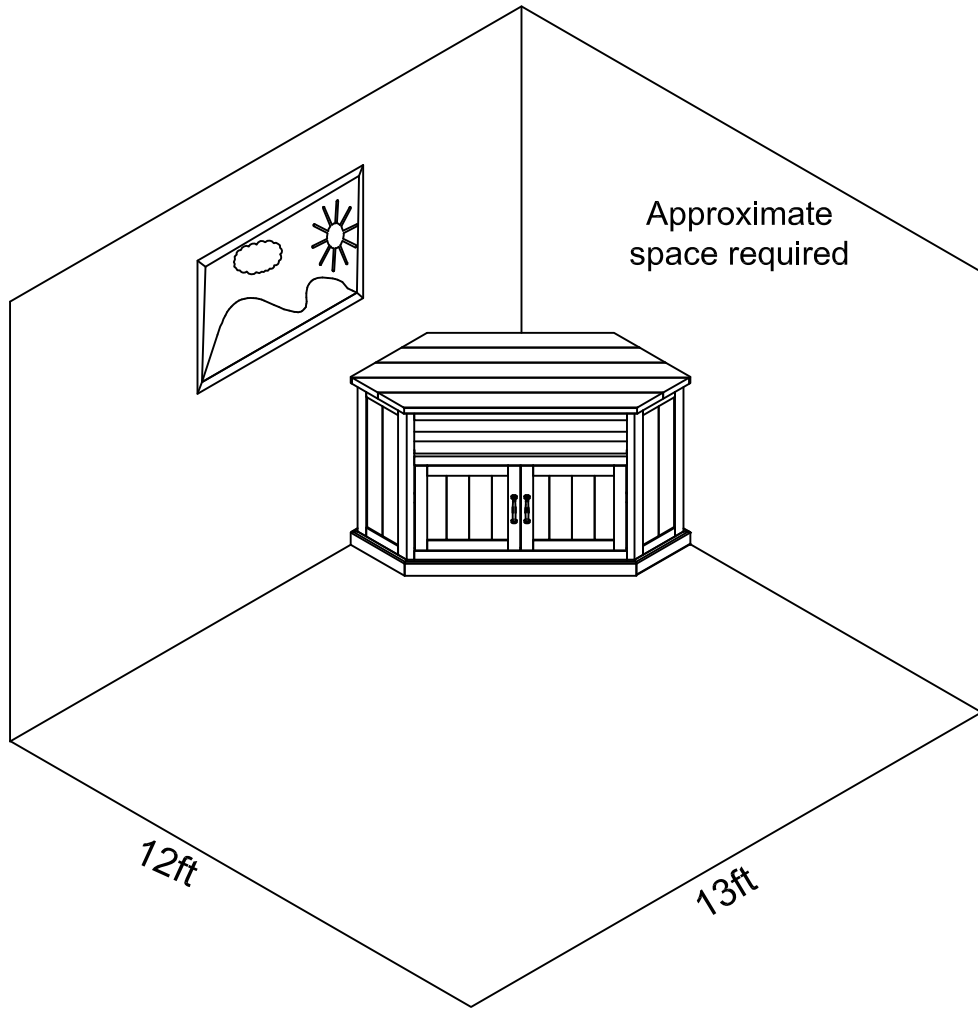
1-800-549-3300 or mshome.co

**We can help with Assembly Issues, Part Requests, Damages, & All Other
Product Related Questions**

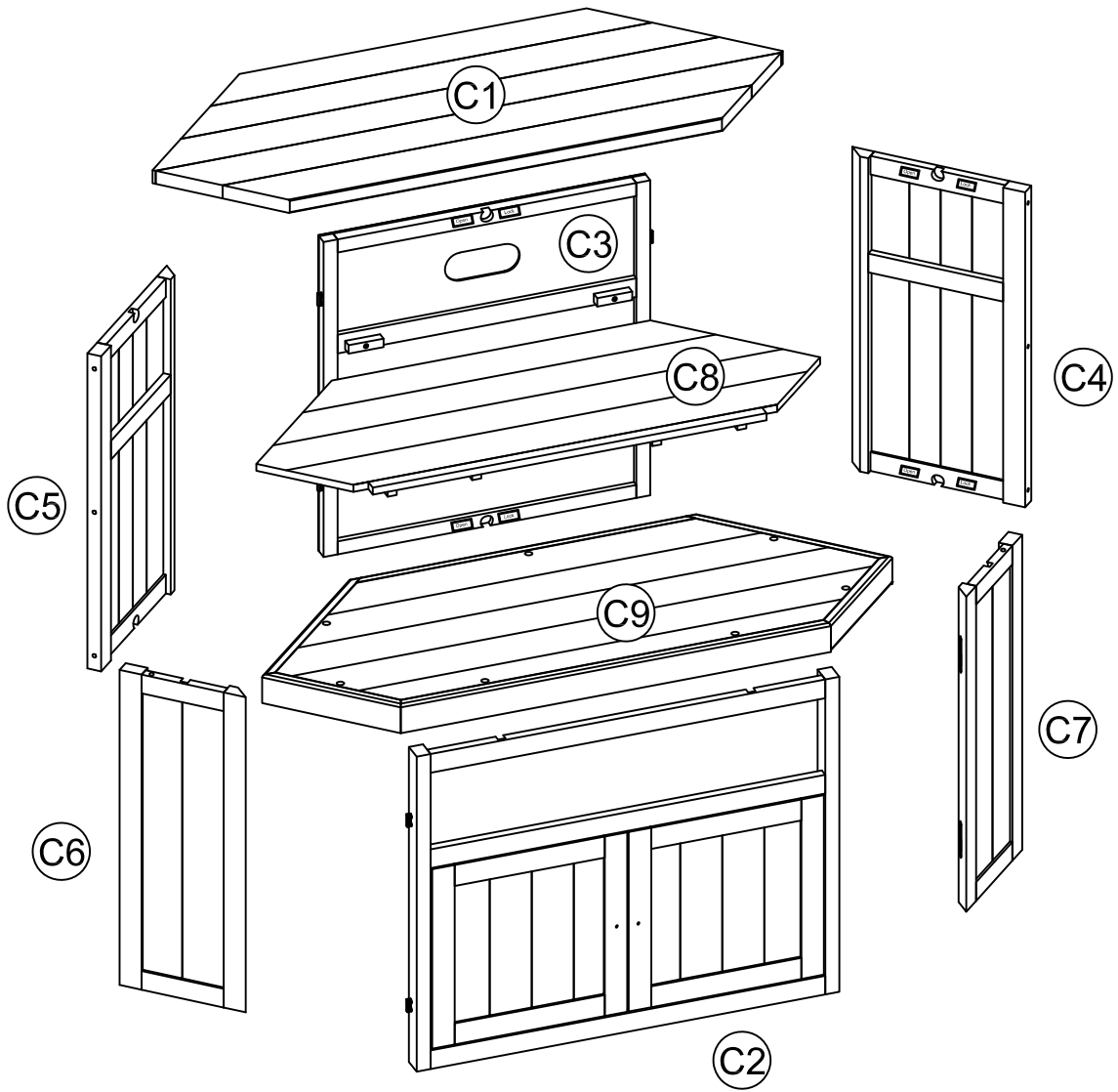


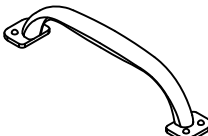
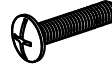
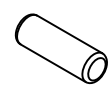


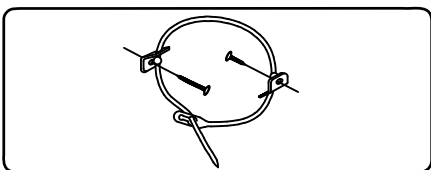
10 min



Phillips Head

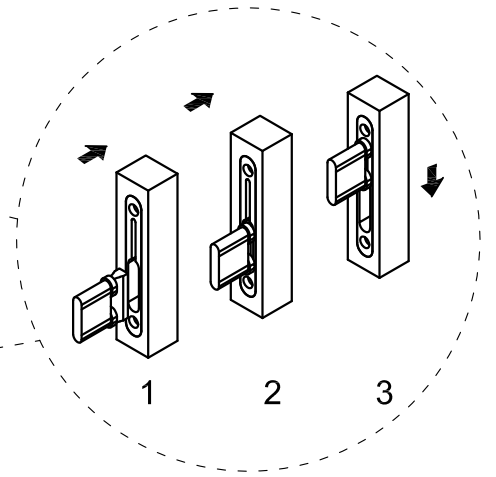
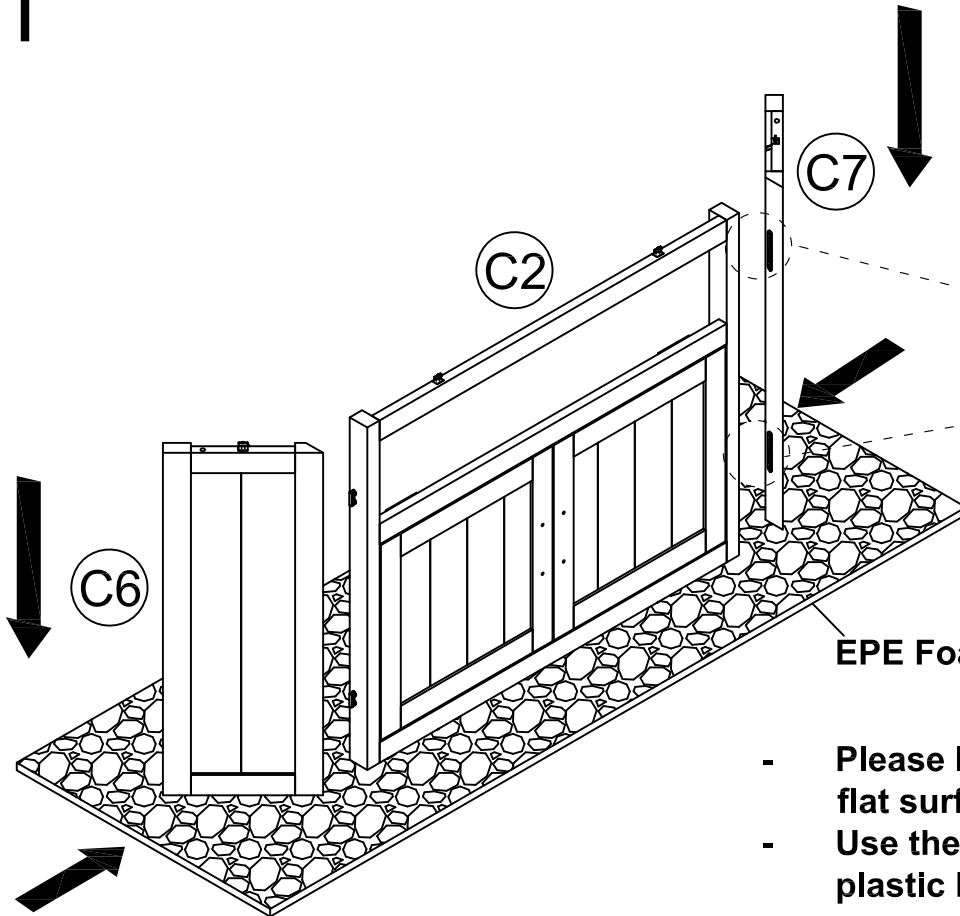


<p>A</p>  <p>2 pcs</p>	<p>B</p>  <p>Ø4x25 (mm): 4 pcs</p>	<p>C</p>  <p>Ø8x30: 10 pcs</p>
--	--	--



ANTI-TIP SET

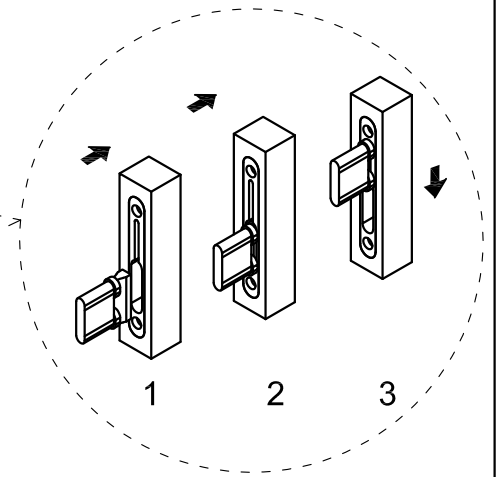
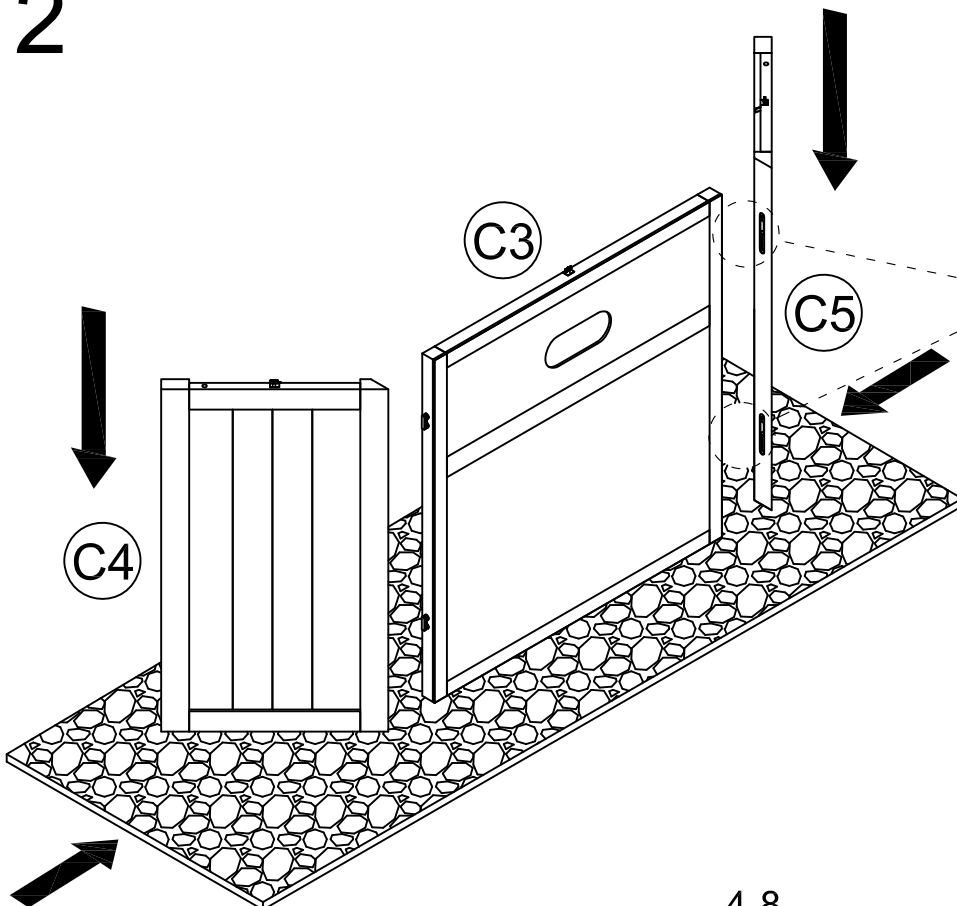
1



EPE Foam

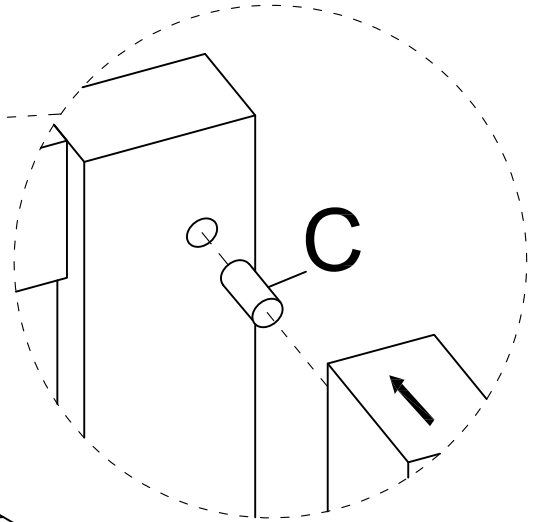
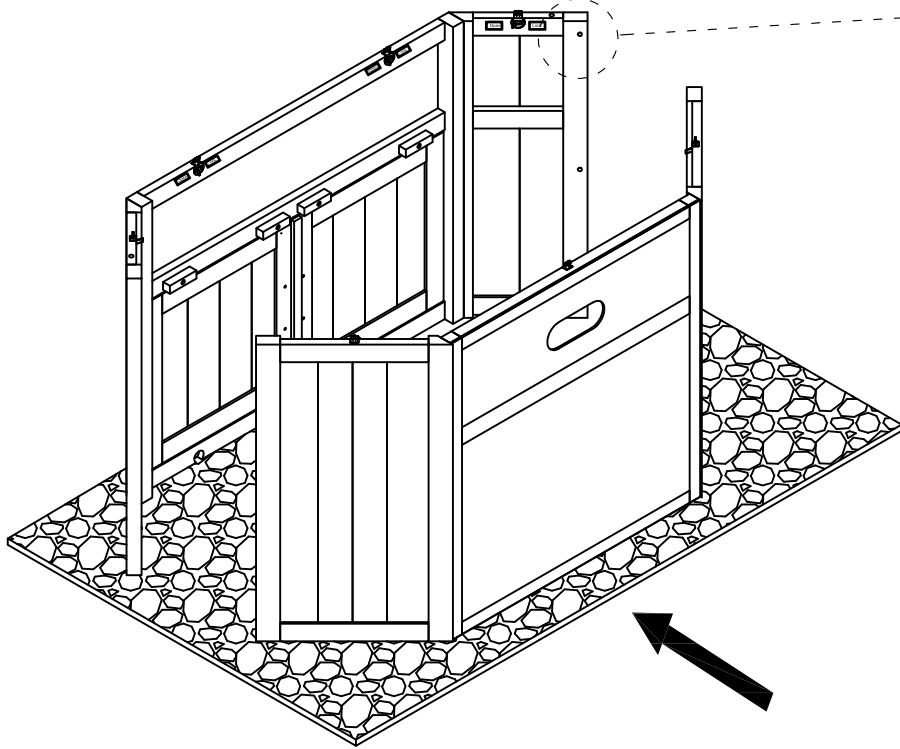
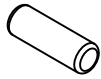
- Please lay all components on smooth flat surface to prevent scratches
- Use the EPE foam to protect the plastic hardware before assembly

2



3

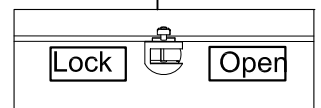
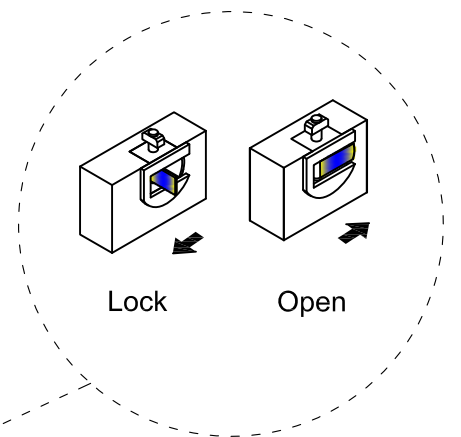
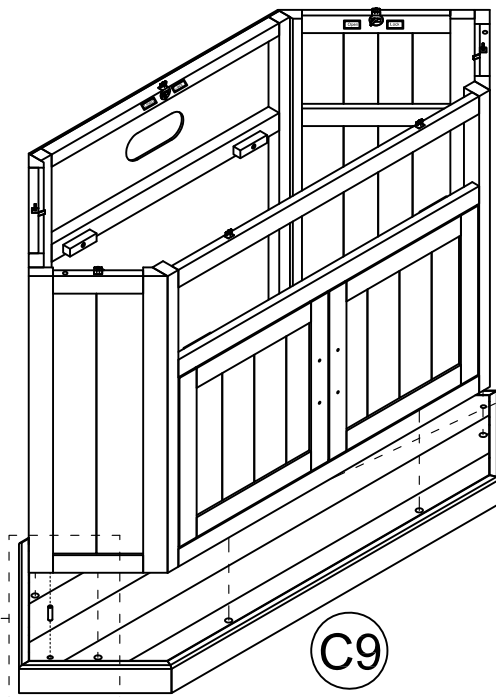
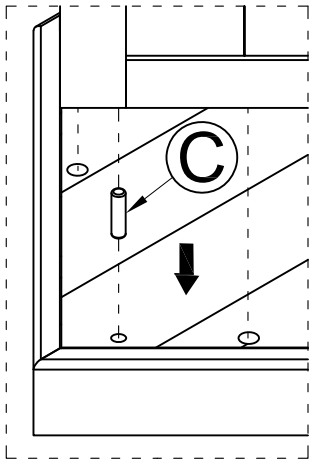
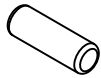
C x 6



Place dowels into holes and attach front and back together

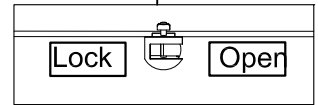
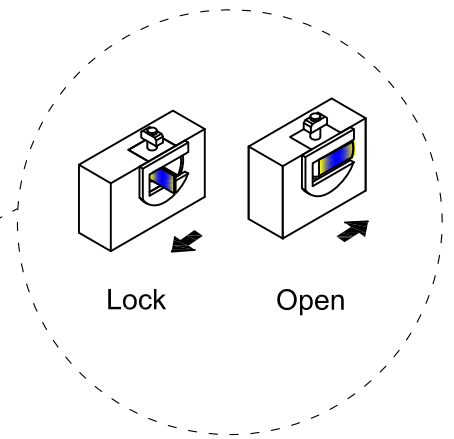
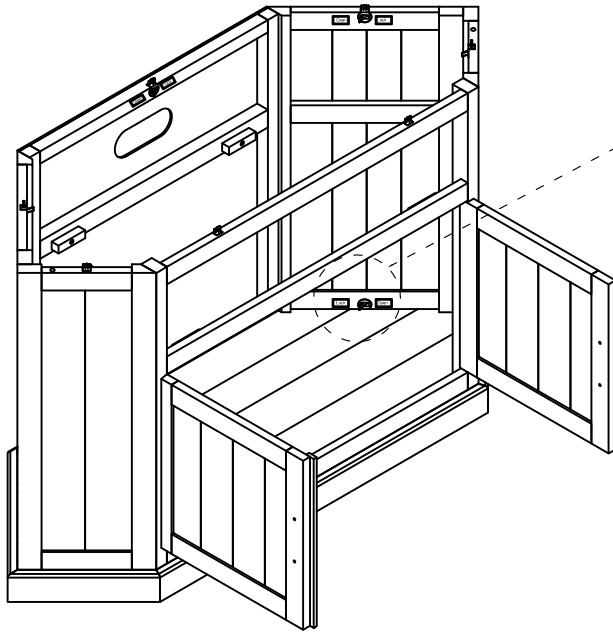
4

C x 2



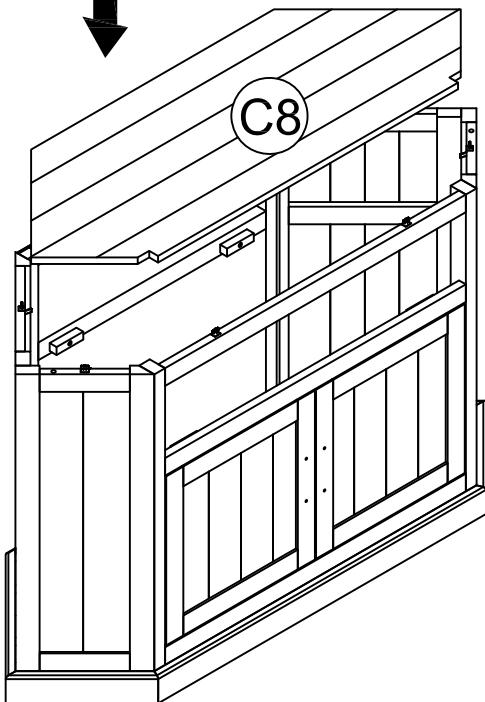
Make sure all latches are in the open position before installing Bottom Panel (C9)

5



Make sure all latches are in the locked position before moving to next step

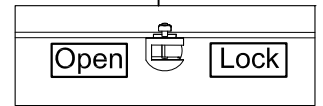
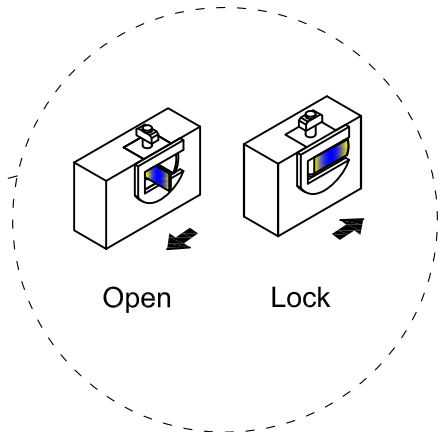
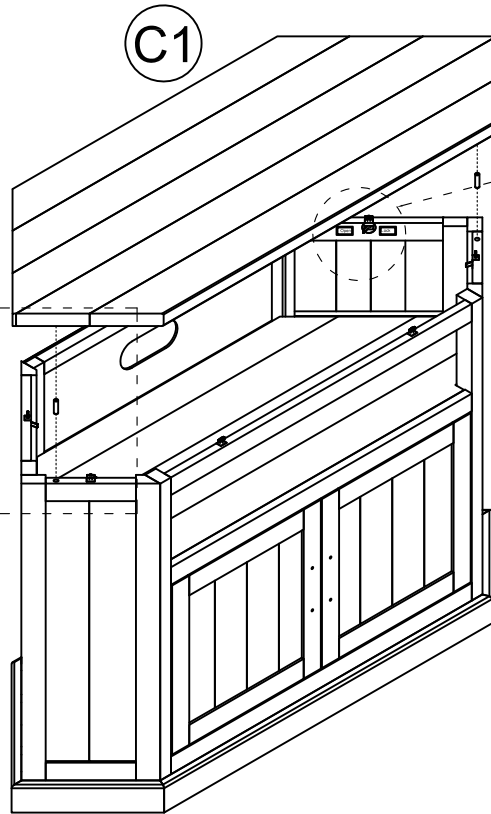
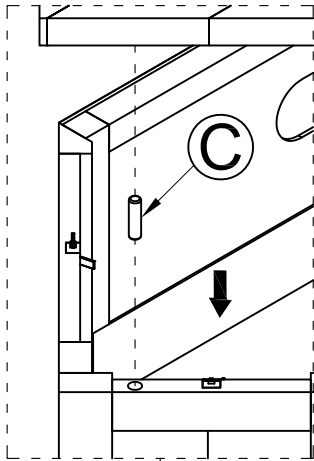
6



Place Middle Shelf (C8) into position onto cleats. Make sure part is laying flush.

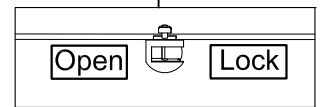
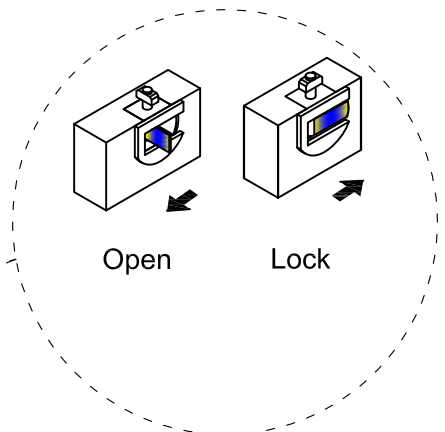
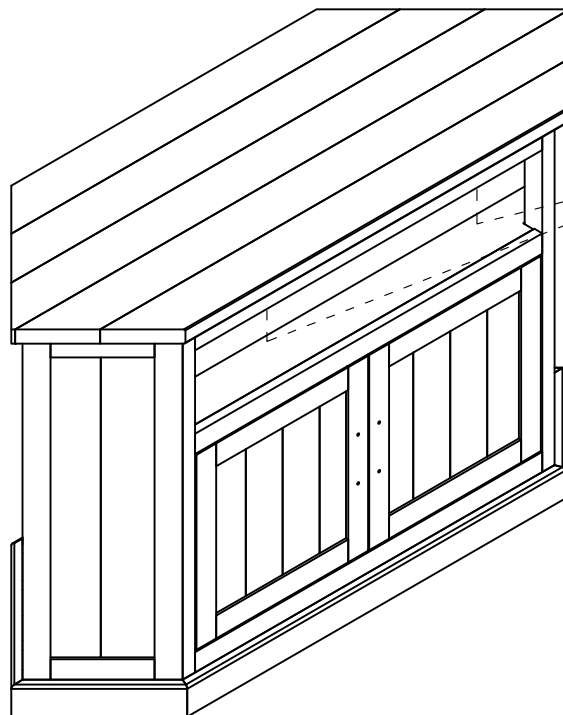
7

C x 2



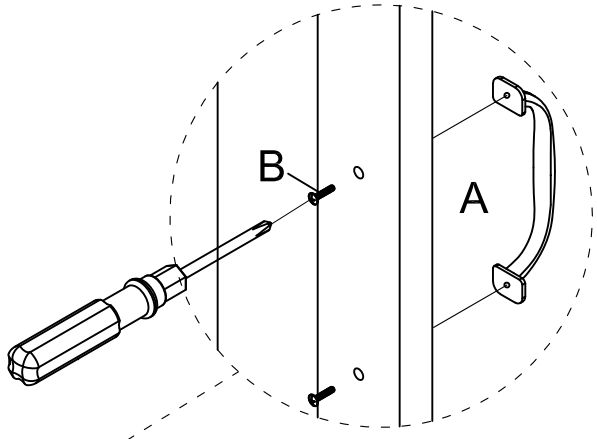
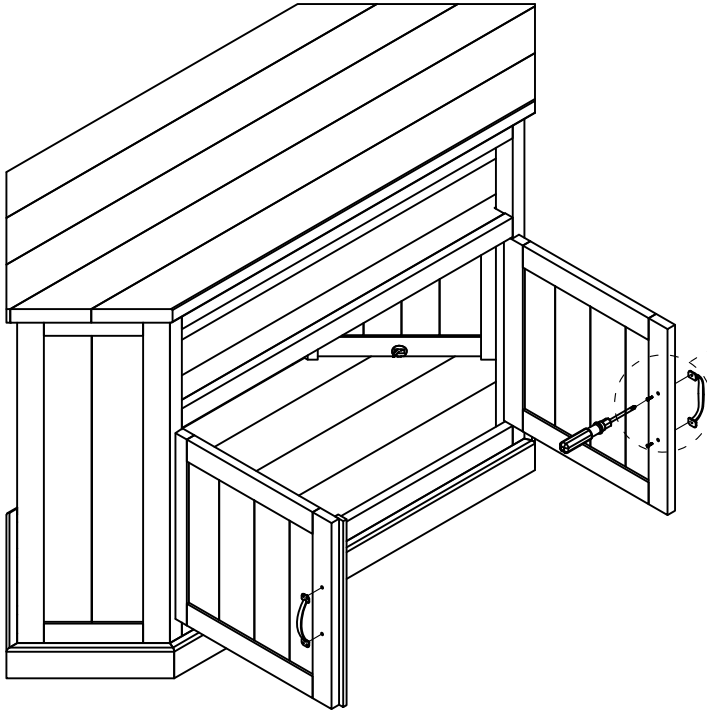
Make sure all latches are in the open position before installing Top Panel (C1)

8

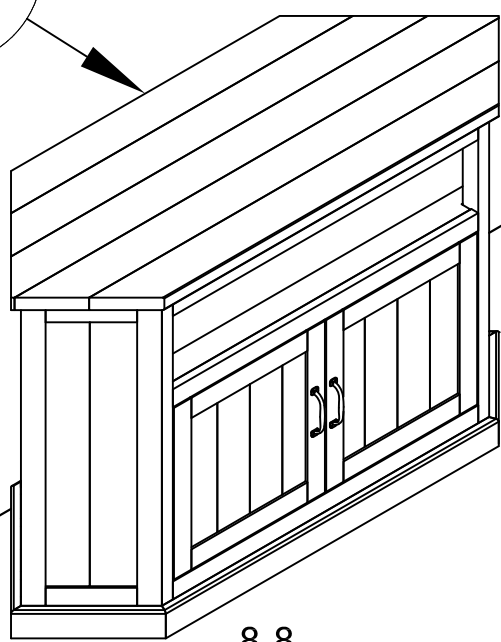
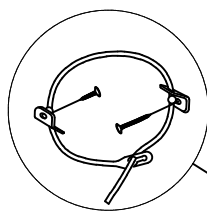


Make sure all latches are in the locked position

9



10



8-8