

ASSEMBLY INSTRUCTIONS MODEL: 5672-01 ARENDAL DINING TABLE

Please read instructions carefully

Remove all wrapping materials, staples and packing straps from the carton. Refer to Parts List and Hardware List and ensure they are complete before you start assembling. Place all wooden parts on a clean, flat and soft surface (e.g. carpet or rug) to prevent parts from being scratched.

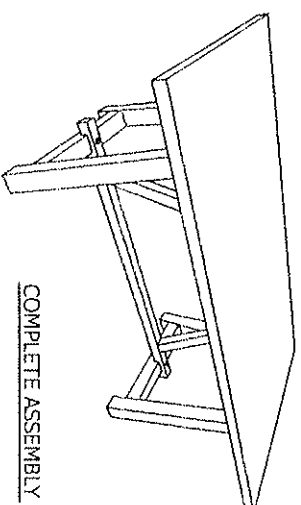
- CAUTIONS:
- 1) DO NOT FULLY TIGHTEN BOLTS AND NUTS UNTIL ALL PARTS HAVE BEEN ASSEMBLED.
 - 2) DO NOT OVER-TIGHTEN BOLTS AND NUTS UNTIL ALL PARTS HAVE BEEN ASSEMBLED.
 - 3) KEEP ALL HARDWARE PARTS OUT OF REACH OF CHILDREN.

PARTS LIST

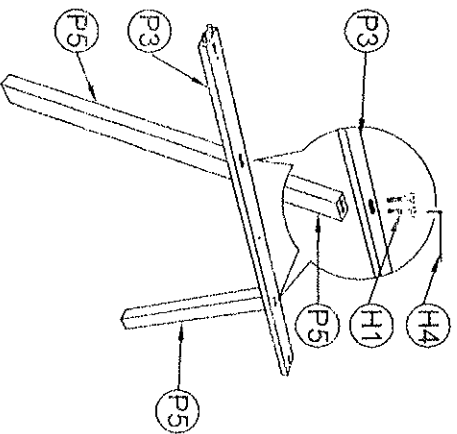
NO.	COMPONENT	QTY.
P1	TABLE TOP	1
P2	TRESTLE LEG FRAME	2
P3	TOP RAIL	1
P4	TRESTLE STRETCHER	1
P5	ANGLED STRETCHER	2

HARDWARE LIST

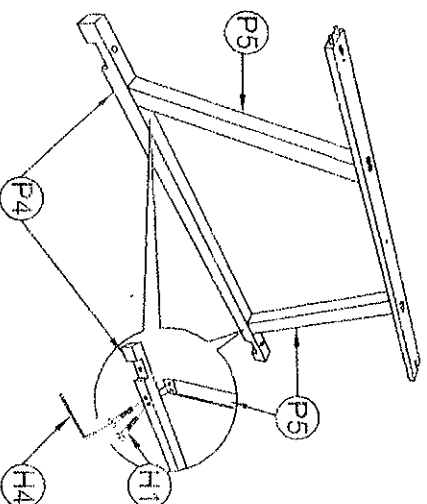
NO.	DESCRIPTION	QTY.
H1	M6 X 35 JOBC SCREW	8
H2	BOLT & NUT 1/2" φ X 4"	2
H3	M4 X 32 CSK SCREW	13
H4	ALLEN KEY	1



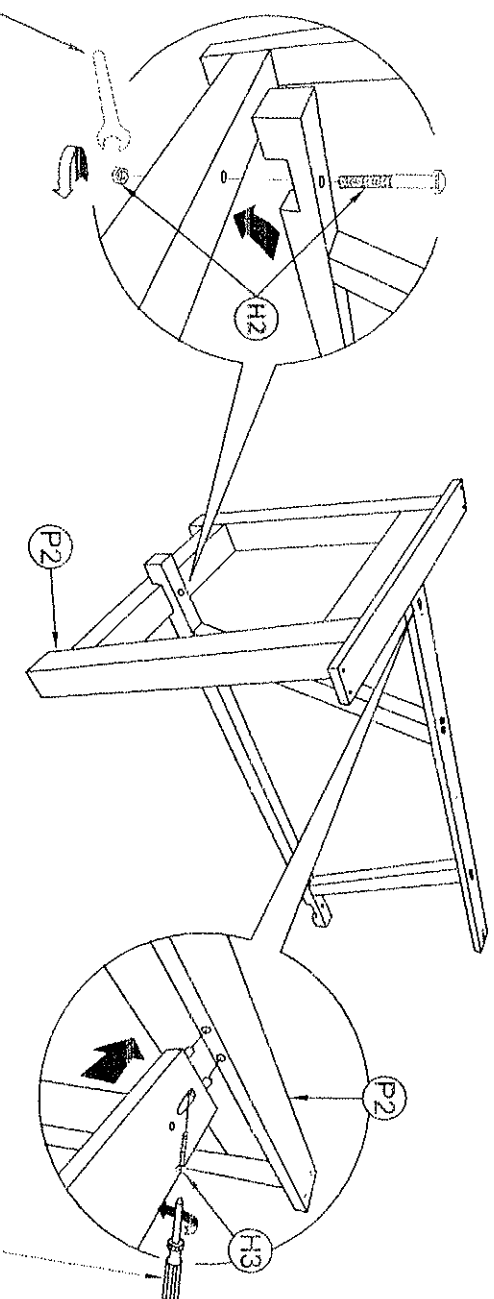
STEP 1



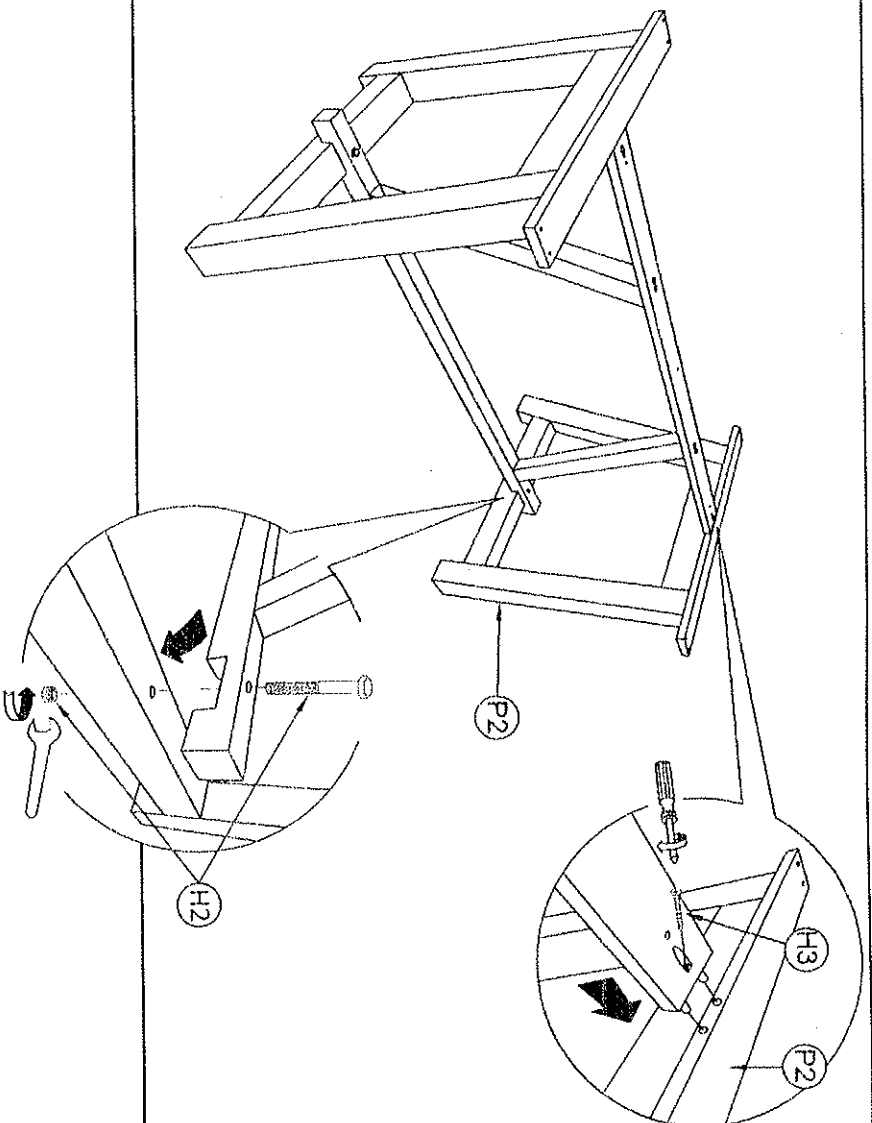
STEP 2



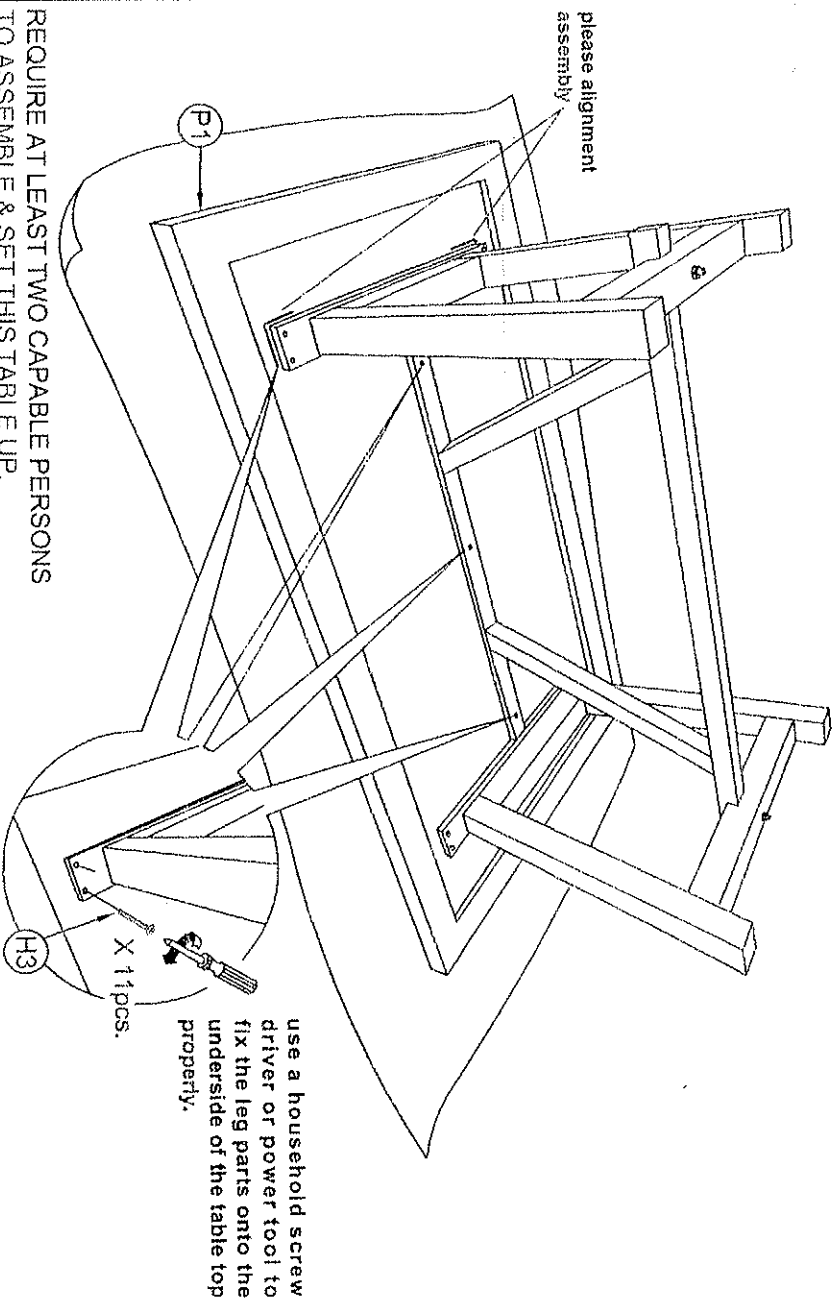
STEP 3



STEP 4



STEP 5



please alignment
assembly

**REQUIRE AT LEAST TWO CAPABLE PERSONS
TO ASSEMBLE & SET THIS TABLE UP.**

CARE AND MAINTENANCE

SAFETY

- To avoid any risk of suffocation to children and animals, dispose off plastic bags immediately.

CLEANING

- Clean with damp cloth and mild detergent. Do not use bleach or abrasive products.

FITTINGS

- Tighten bolts and nuts from time to time to ensure all parts of product are securely fitted.

use a household screw
driver or power tool to
fix the leg parts onto the
underside of the table top
properly.

X 11 pcs.

H3