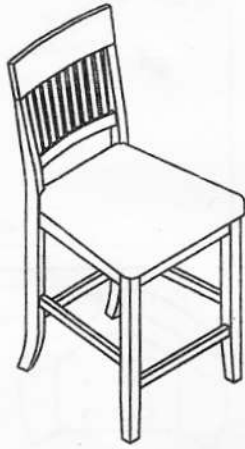
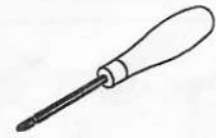
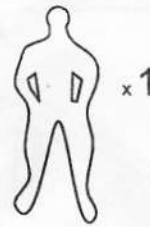


ASPEN COUNTER HEIGHT CHAIR 8812-04

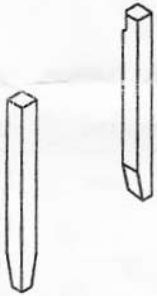


ASSEMBLY INSTRUCTIONS



NOT PROVIDED

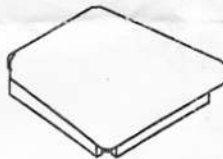
①



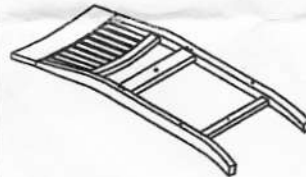
②



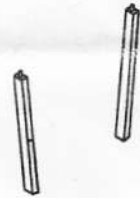
③



④



⑤



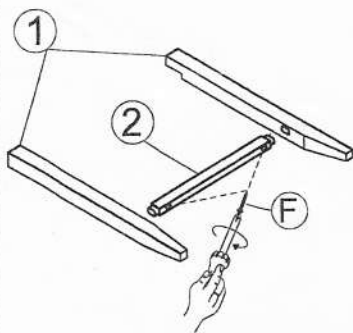
NOTE: Do not fully tighten screws and bolts until the entire item is completely assembled


Hardwares

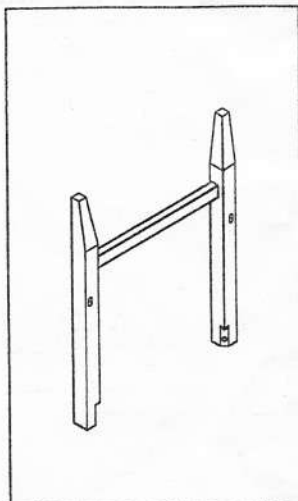
CODE	PICTURE	SIZE	AMOUNT
A		M6 x 50mm	4 pcs
B		M6 x 80mm	4 pcs
C		M6 x 40mm	1 pcs
D		Ø6/13	9 pcs
E		Ø8/19	9 pcs
F		Ø4 x 50 mm	6 pcs
G		4mm x 60mm	1pc

NOTE: Do not fully tighten screws and bolts until the entire item is completely assembled

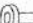
Step-1

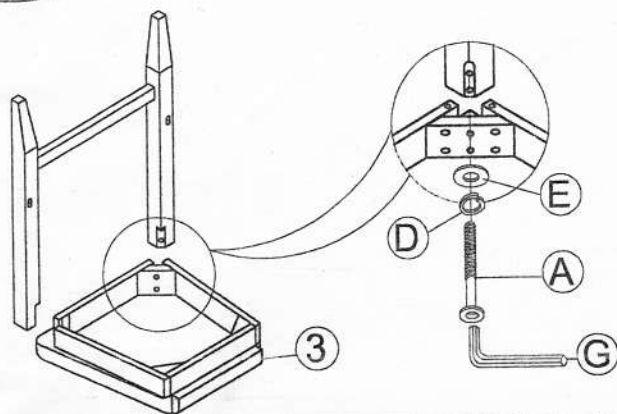


F  Ø4 x 50 mm

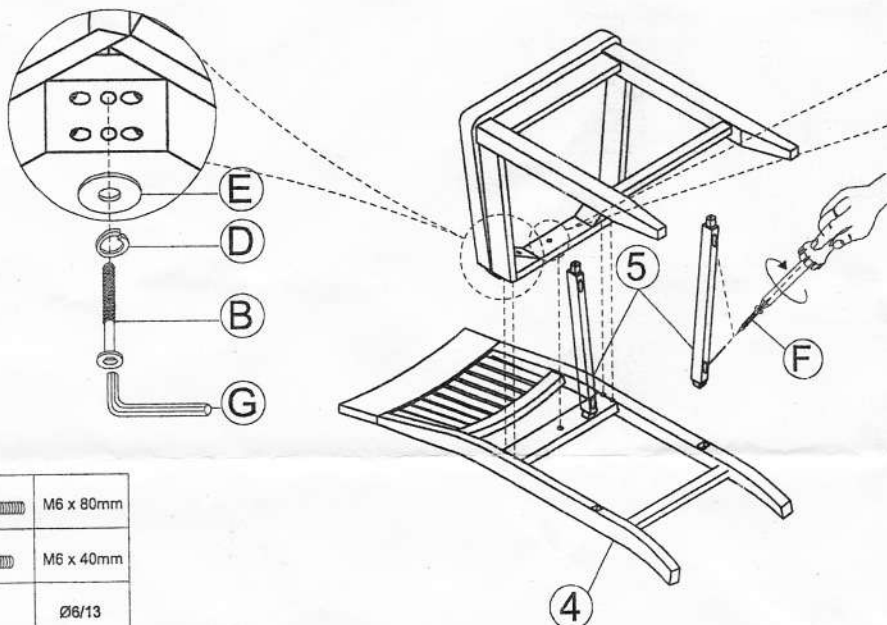








Step-2

A  M6 x 50mm



Step-3



B		M6 x 80mm
C		M6 x 40mm
D		Ø6/13
E		Ø8/19
F		Ø4 x 50 mm
G		Ø4 x 60 mm

