

814 - 02

FIJI SIDE CHAIR



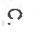


**Origins**  
BY NATURE FURNITURE

### Assembly Instruction

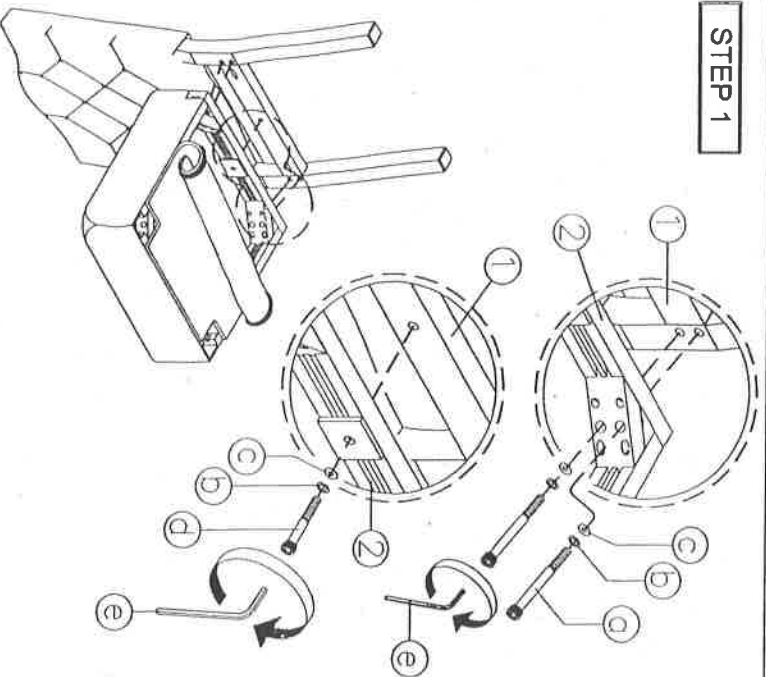
A. Components :

- |                  |     |
|------------------|-----|
| 1. Back frame    | 1 X |
| 2. Cushion       | 1 X |
| 3. Leg Front L/R | 2 X |

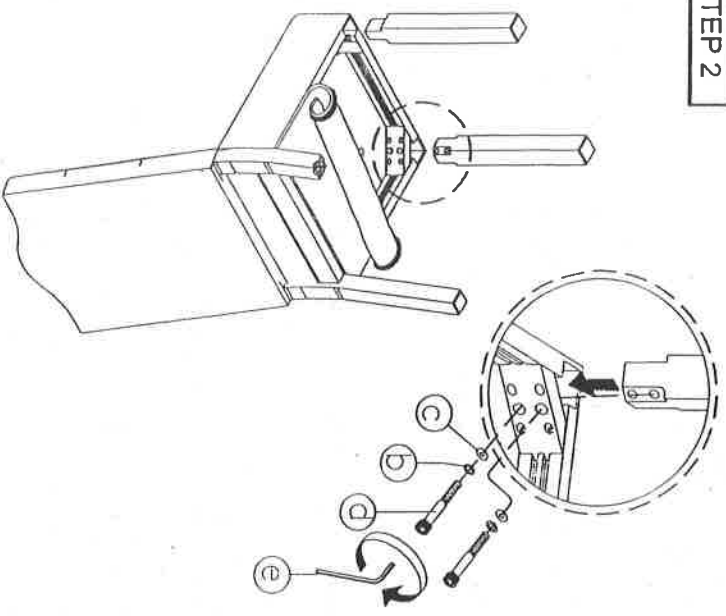
B. Hardware :

- |  |  |  |                       |     |
|--|--|--|-----------------------|-----|
| a.  | b.  | c.  | a. Long Machine Bolt  | 4 X |
| d.  | e.  |  | b. Lock Washer        | 9 X |
|  |  |  | c. Flat washer        | 9 X |
|  |  |  | d. Short Machine Bolt | 5 X |
|  |  |  | e. Allen Key L        | 1 X |

**STEP 1**



**STEP 2**



Assembly Completed

