

Assembly Instruction

A. Components :

- 1. Top
- 2. Legs

1 x
4 x

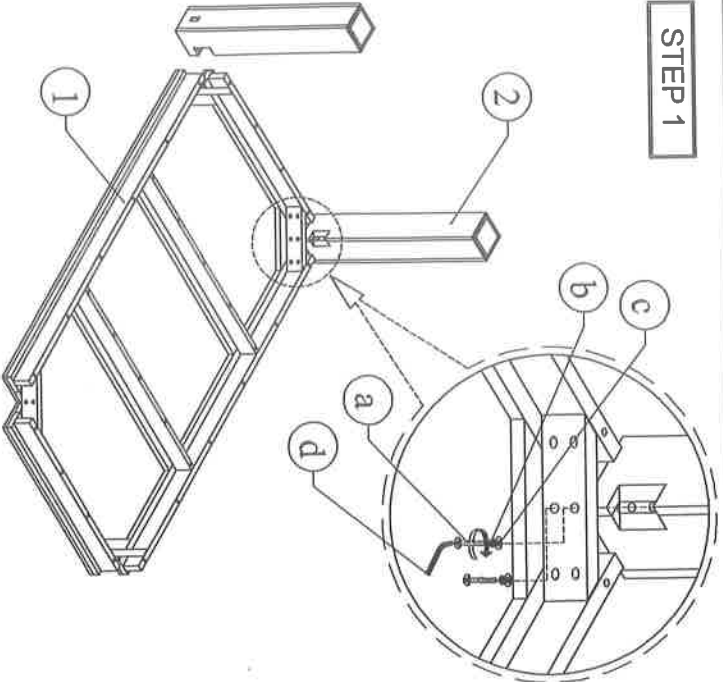


B. Hardware :

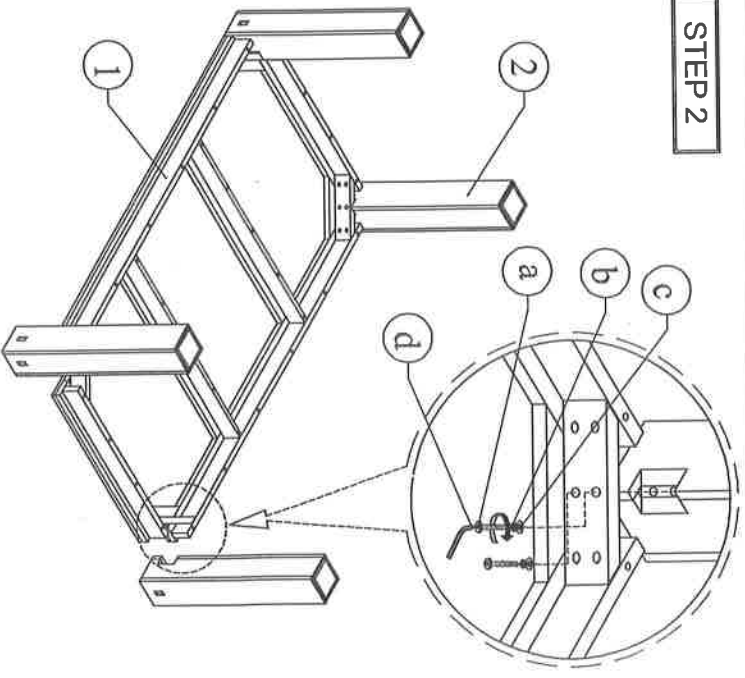
- a. Bolt
- b. Lock Washer
- c. Flat Washer
- d. Allen Key L

8 x
8 x
8 x
1 x

STEP 1



STEP 2



STEP 3

