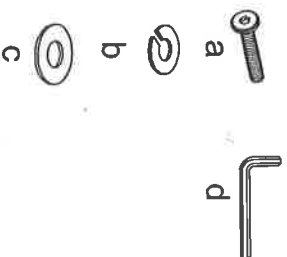


### Assembly Instruction

A. Components :

1. Top
2. Legs

1 x  
4 x

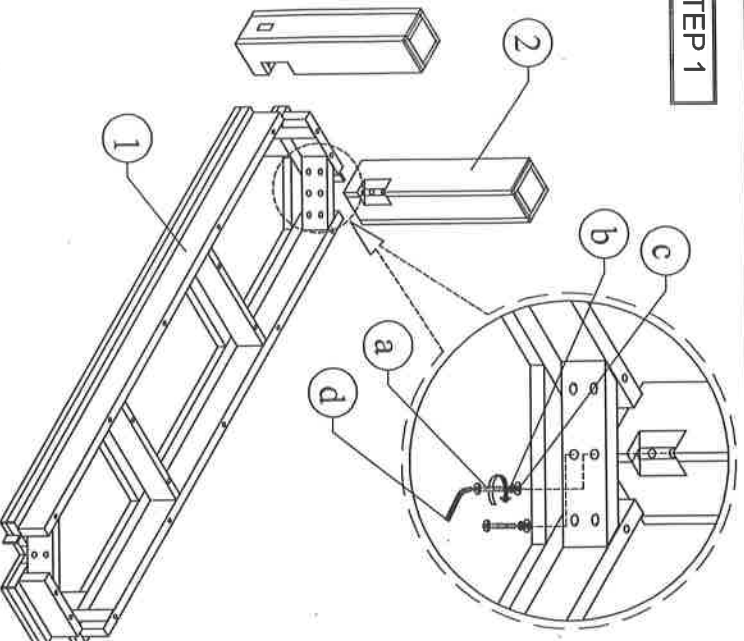


B. Hardware :

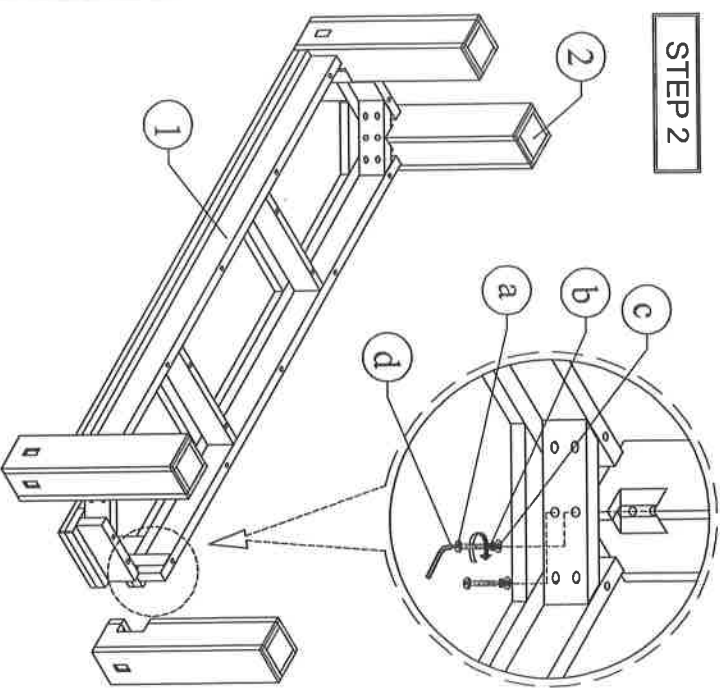
- a. Bolt
- b. Lock Washer
- c. Flat Washer
- d. Allen Key L

8 x  
8 x  
8 x  
1 x

STEP 1



STEP 2



STEP 3

