







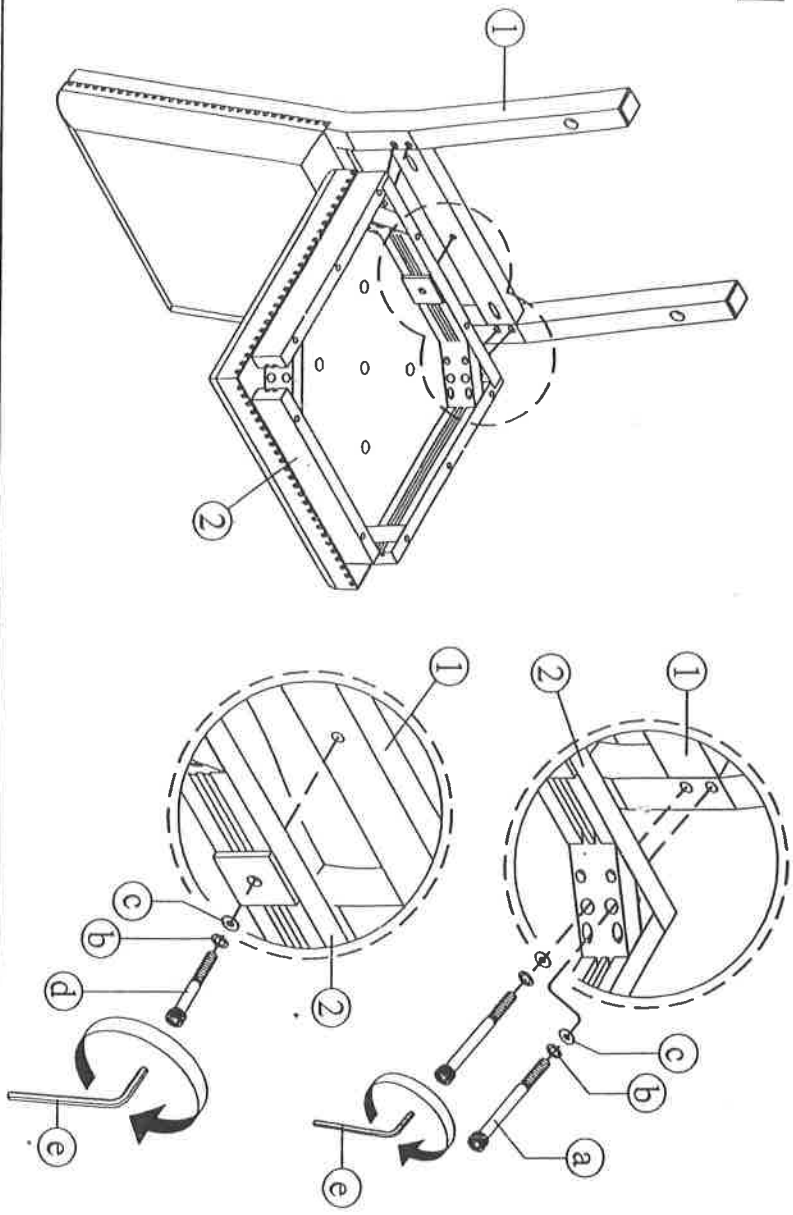
## Assembly Instruction

- A. Components :**
- |                  |     |    |   |    |   |    |   |
|------------------|-----|----|---|----|---|----|---|
| 1. Back frame    | 1 x | a. |  | b. |  | c. |  |
| 2. Cushion       | 1 x | d. |  | e. |  | d. | Short Machine Bolt  |
| 3. Stretcher     | 1 x | f. |  | e. | Allen Key L   | e. | Allen Key L   |
| 4. Leg Front L/R | 2 x |    |   | f. | Screw Dry Wall  | f. | Screw Dry Wall  |
- B. Hardware :**
- |    |                    |     |
|----|--------------------|-----|
| a. | Long Machine Bolt  | 4 x |
| b. | Lock Washer        | 9 x |
| c. | Flat washer        | 9 x |
| d. | Short Machine Bolt | 5 x |
| e. | Allen Key L        | 1 x |
| f. | Screw Dry Wall     | 4 x |

Tools Required  
Phillips ScrewDriver (Not included)



### STEP 1

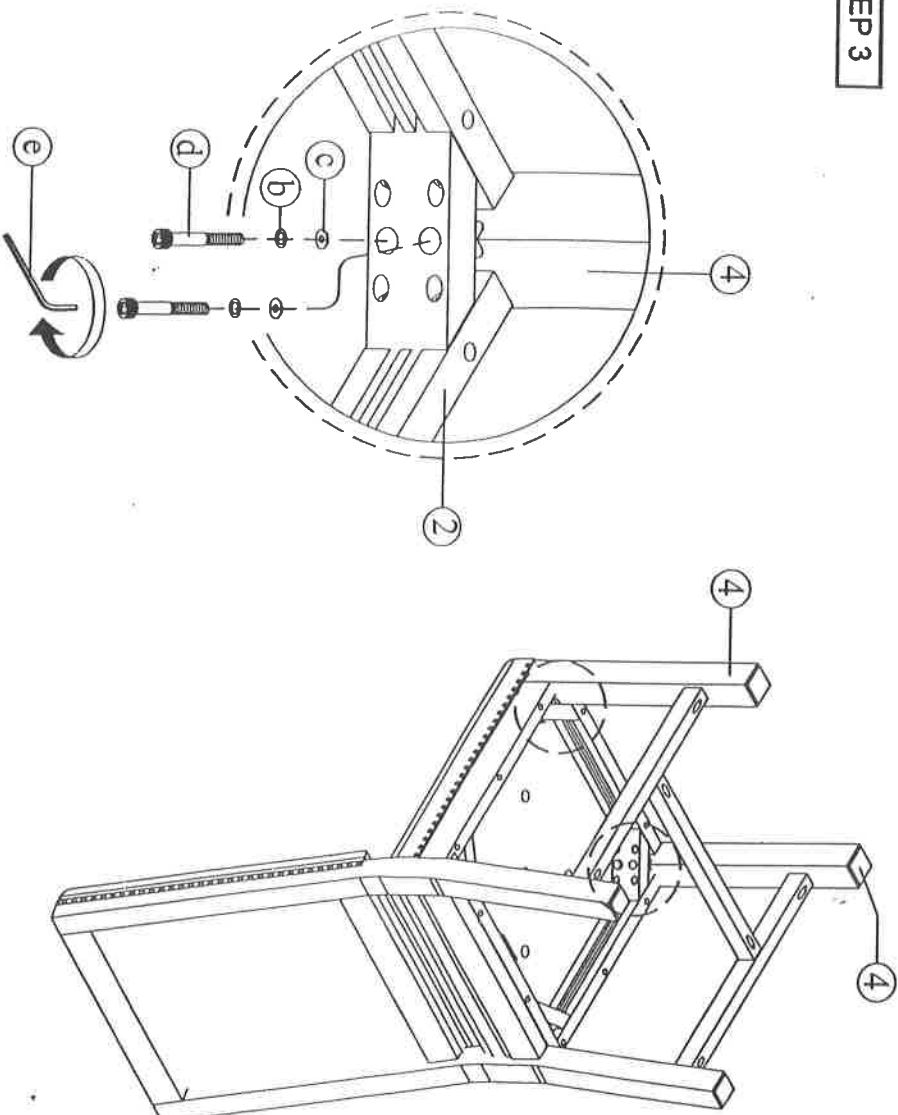


### STEP 2



### Assembly Instruction

STEP 3



Assembly Completed

