

ASSEMBLY INSTRUCTION

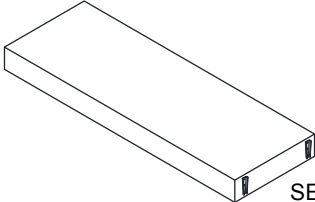
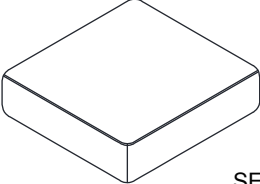
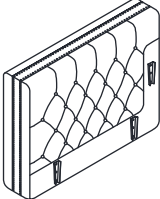
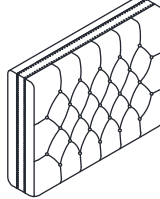
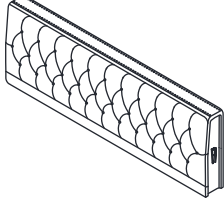
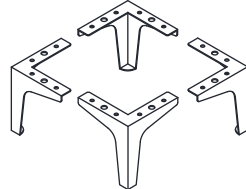
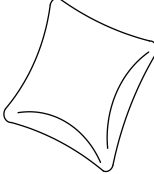
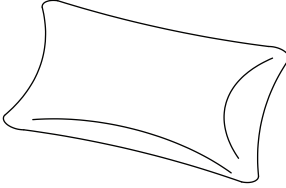
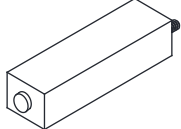

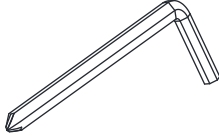
ASSEMBLY TIPS:

1. Remove hardware from box and sort by size.
2. Please check to see that all hardware and parts are present prior to start of assembly.
3. Please follow attached instruction in the same sequence as numbered to assure fast & easy assembly.

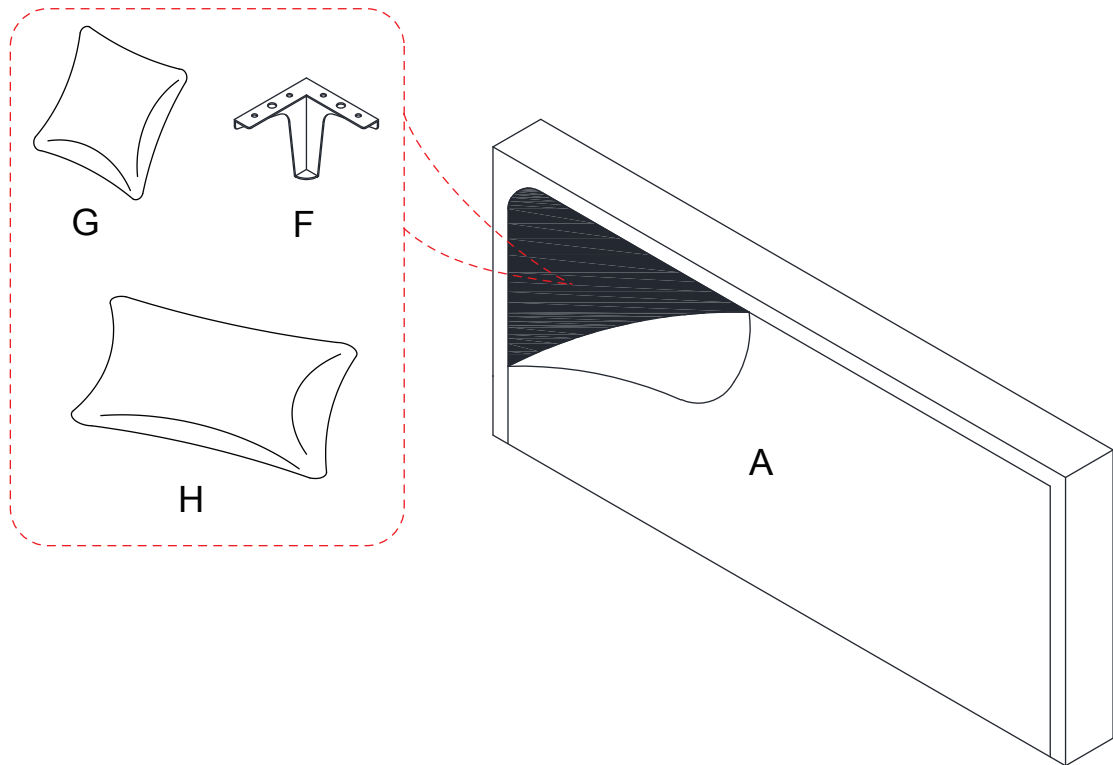
warning!

1. Don't attempt to repair or modify parts that are broken or defective. Please contact the customer service immediately.
2. This product is for home use only and not intended for commercial establishment.

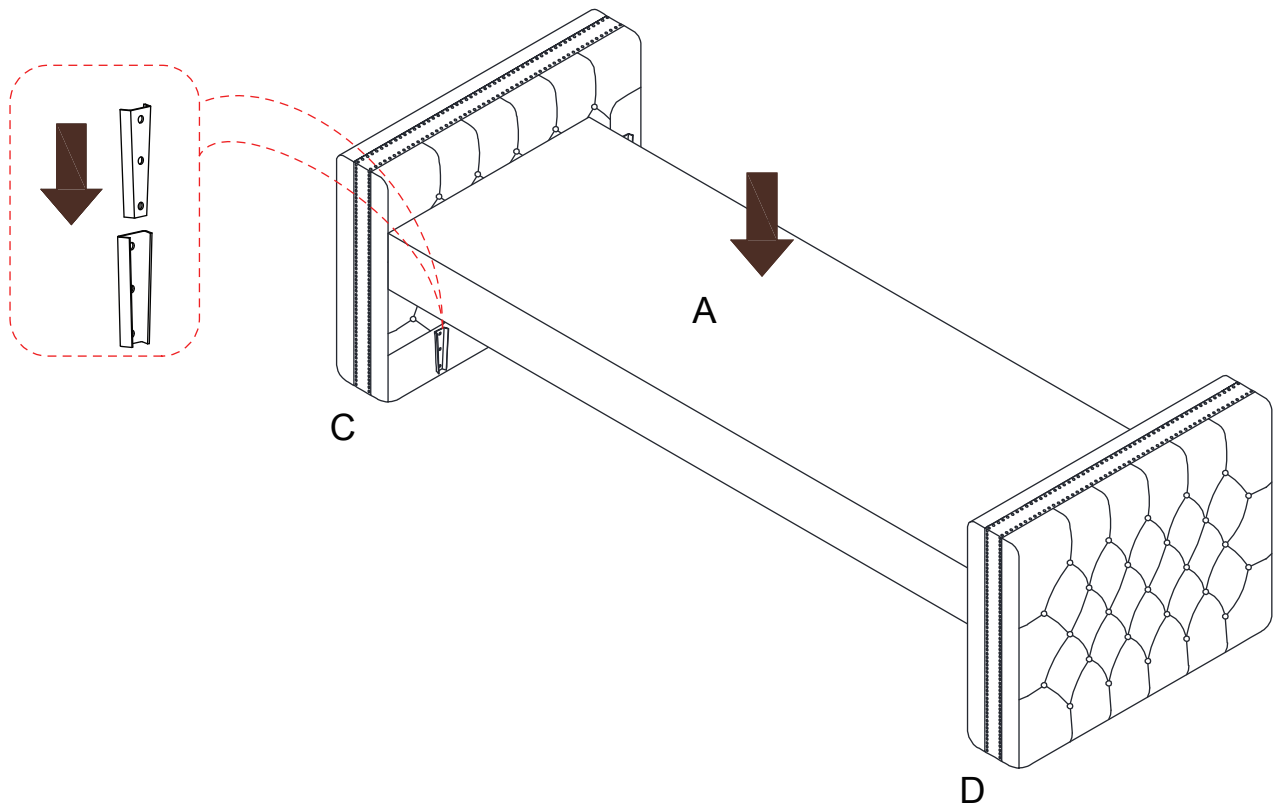
PARTS IDENTIFICATION

A	 <p>SEAT FRAME</p>	1pc	B	 <p>SEAT CUSHION</p>	3pcs
C	 <p>LIFT ARM</p>	1pc	D	 <p>RIGHT ARM</p>	1pc
E	 <p>BACK FRAME</p>	1pc	F	 <p>LEG</p>	4pcs
G	 <p>PILLOW</p>	2pcs	H	 <p>LONG PILLOW</p>	1pc
I	 <p>LEG</p>	1pc	J	 <p>SCREWS</p>	16pcs
K	 <p>ALLEN KEY</p>	1pc			

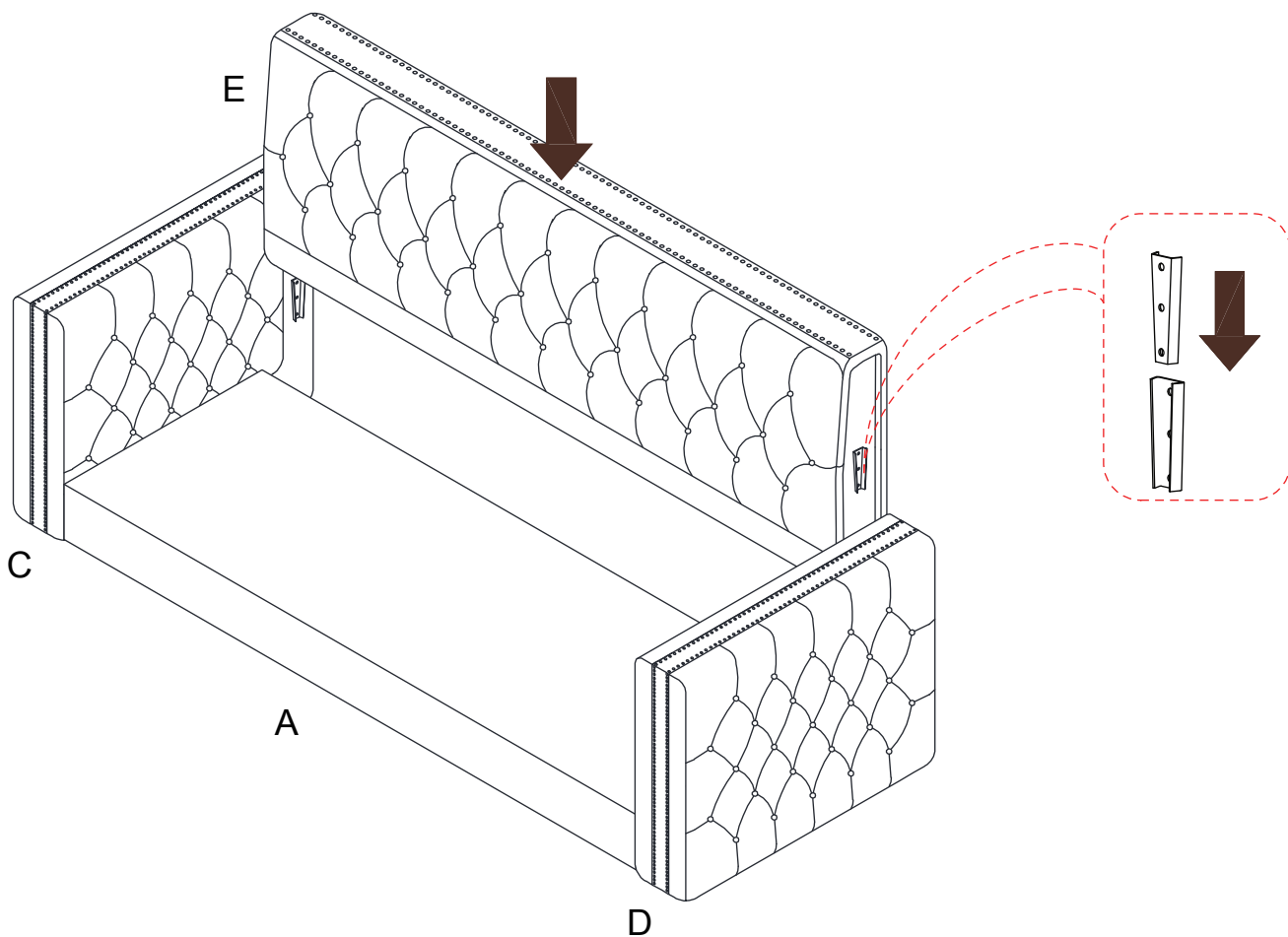
STEP1:



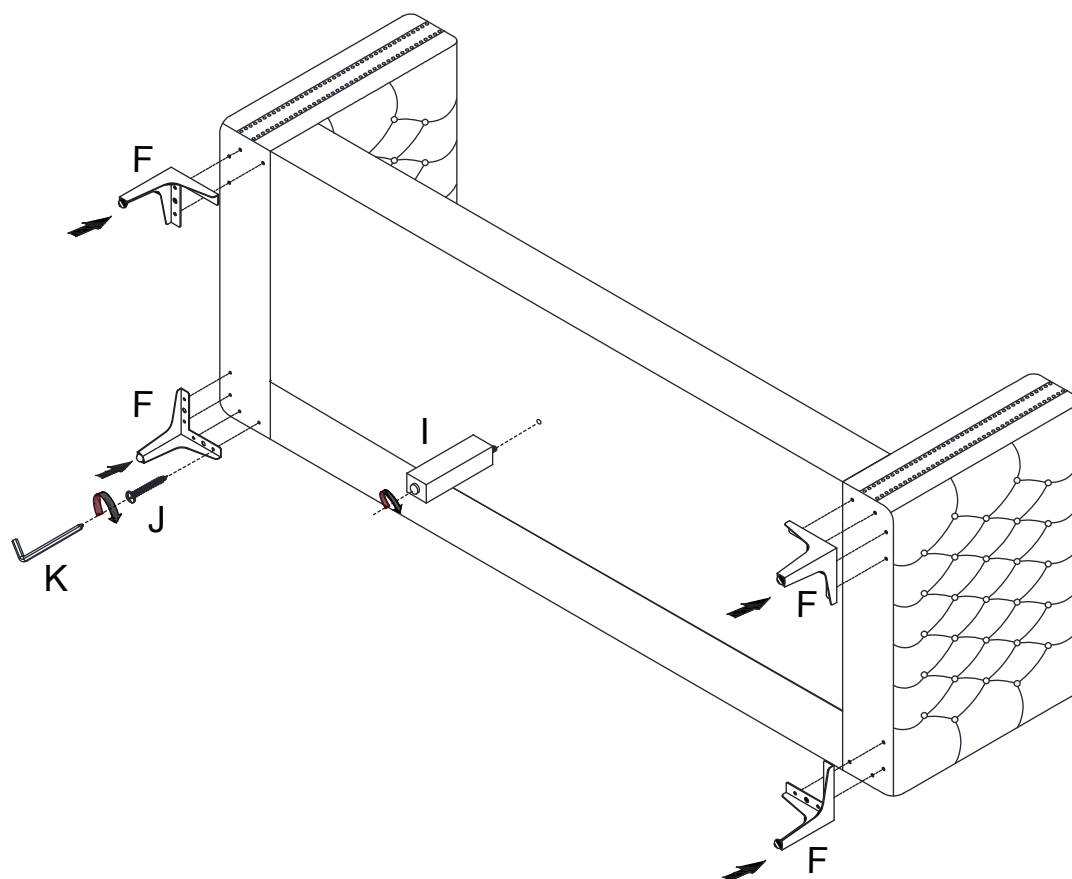
STEP2:



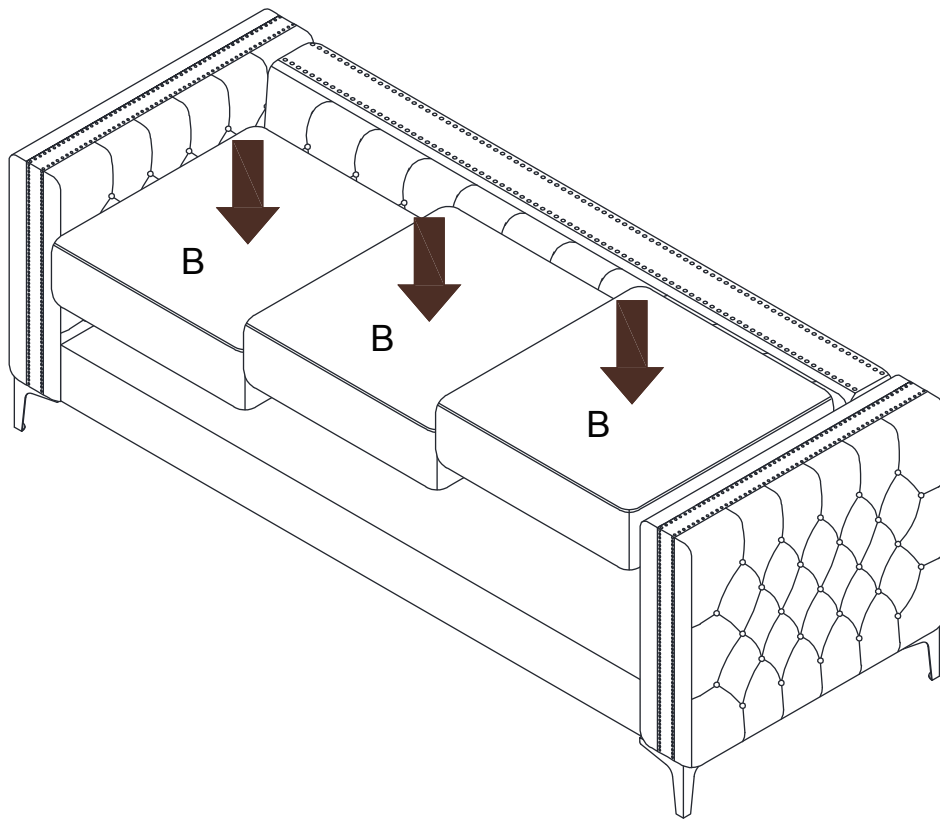
STEP3:



STEP4:



STEP5:



STEP6 :

