

*** ATTENTION ***

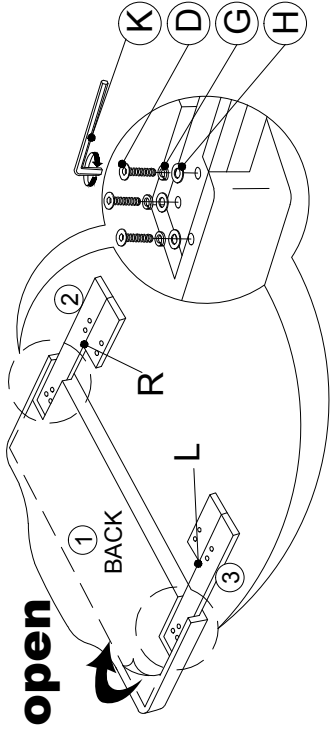
All parts are inside the Headboard

ASSEMBLY INSTRUCTION

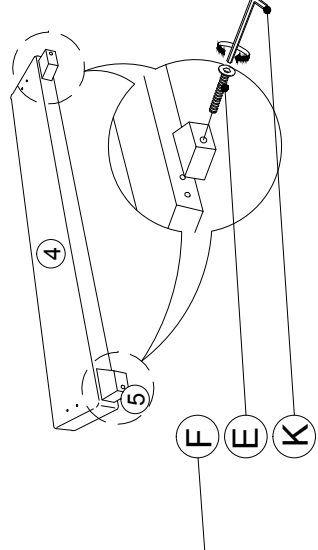
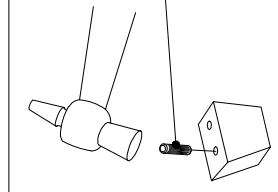
ITEM : B87/B88/B102/B103 FULL SIZE BED, QUEEN BED		QTY
NO	PART LIST	
1	HEAD BOARD CUSHION	1pc
2	RIGHT HEAD BOARD LEG (WITH "R" LABEL)	1pc
3	LEFT HEAD BOARD LEG (WITH "L" LABEL)	1pc
4	FOOT BOARD CUSHION	1pc
5	FOOT BOARD LEG	2pcs
6	(left) SIDE RAIL	2pcs
7	(right) SIDE RAIL	2pcs
8	CLEAT	4pcs
9	SIDE RAIL SUPPORT	2pcs
10	SLAT	4pcs
11	SLAT SUPPORT (with adjustable feet)	4pcs
NO	HARDWARE LIST	QTY
A	JCBB SCREW M8 x 20mm	8pcs
B	JCBC SCREW M6 x 25mm	8pcs
C	JCBC SCREW M6 x 35mm	20pcs
D	JCBC SCREW M6 x 50mm	6pcs
E	JCBC SCREW M6 x 100mm	2pcs
F	DOWEL	2pcs
G	SPRING WASHER	30pcs
H	FLAT WASHER	30pcs
I	SCREW M4 x 32mm	8pcs
J	L - KEY M5 x 65mm	1pc
K	L - KEY M4 x 100mm	1pc

STEP 1

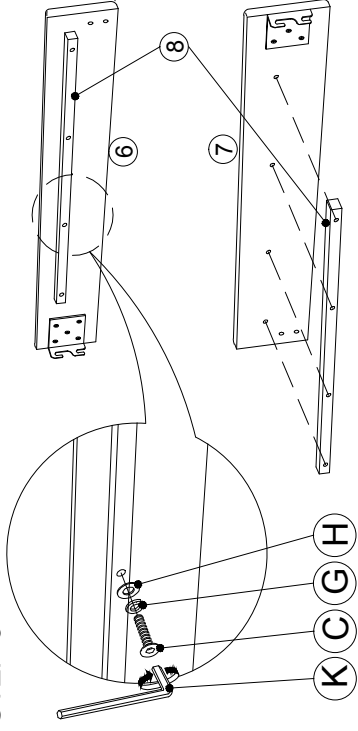
open



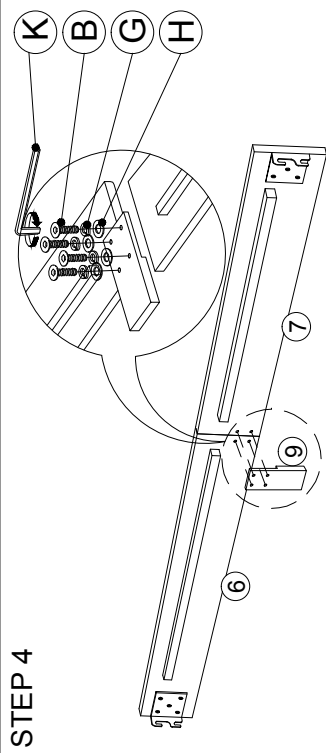
STEP 2



STEP 3

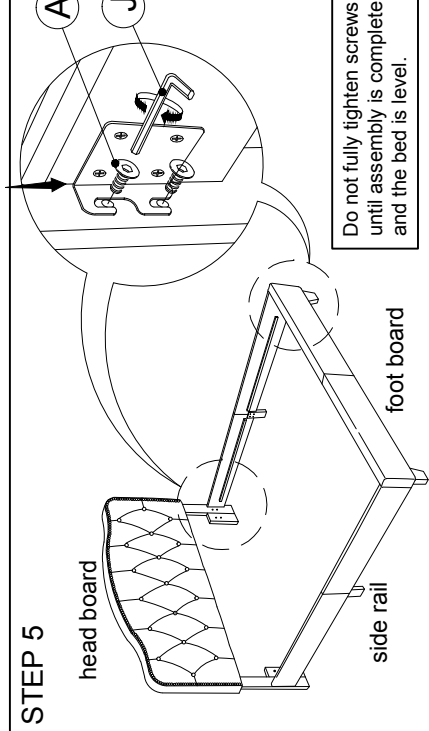


STEP 4



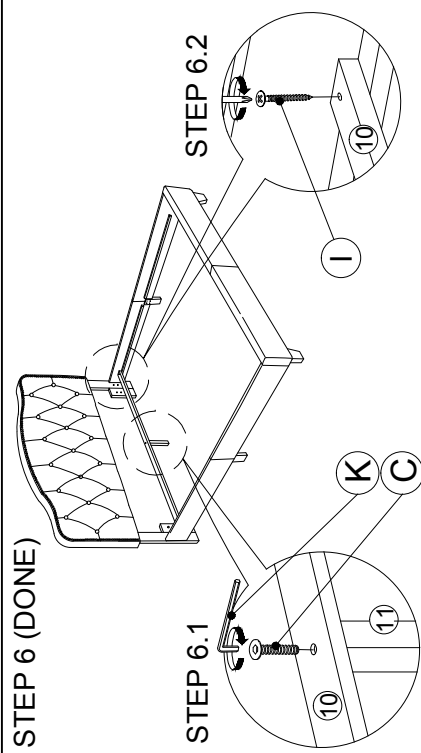
Do not fully tighten screws until assembly is complete and the bed is level.

STEP 5



Do not fully tighten screws until assembly is complete and the bed is level.

STEP 6 (DONE)



NOTE: AFTER A FEW DAYS OF ASSEMBLY, IT WILL HAVE ACCLIMATIZED TO THE ENVIRONMENT. PLEASE TIGHTEN ALL HARDWARE. CHECK TIGHTNESS OF ALL SCREWS EVERY 6-8 WEEKS.