

ATTENTION

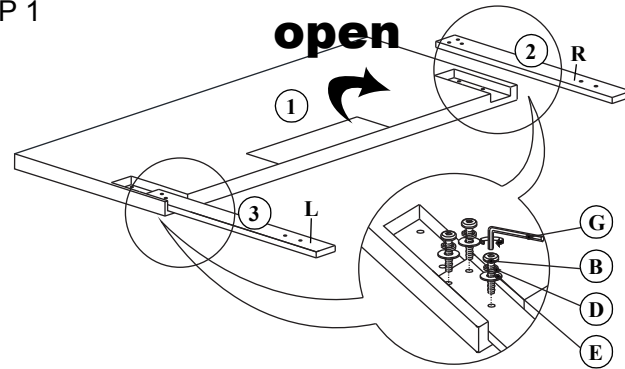
**Parts are inside
the Headboard**

ASSEMBLY INSTRUCTION

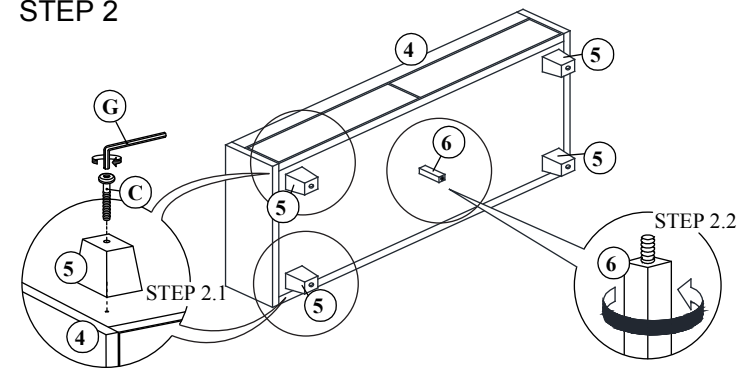
ITEM : B128, B129, B130
FULL BED, QUEEN BED

NO	PARTLIST	QTY
1	HEADBOARD CUSHION	1PC
2	RIGHT HEADBOARD LEG (WITH "R" LABEL)	1PC
3	LEFT HEADBOARD LEG (WITH "L" LABEL)	1PC
4	FOOTBOARD	1PC
5	FOOTBOARD LEG	4PCS
6	FOOTBOARD SUPPORT	1PC
7	BED RAIL	2PCS
8	BED SLAT	1 SET
9	BED SLAT SUPPORT	1PC
10	BED SLAT SUPPORT LEG (with adjustable feet)	3PCS
ITEM	HARDWARE	QTY
A	JCBB SCREW M8 x 20mm	8PCS
B	JCBC SCREW M6 x 45mm	6PCS
C	JCBC SCREW M6 x 50mm	7PCS
D	SPRING WASHER	6PCS
E	FLAT WASHER	6PCS
F	SCREW M4 x 32mm	6PCS
G	SMALL ALLEN WRENCH M4 x 100mm	1PC
H	BIG ALLEN WRENCH M5 x 65mm	1PC

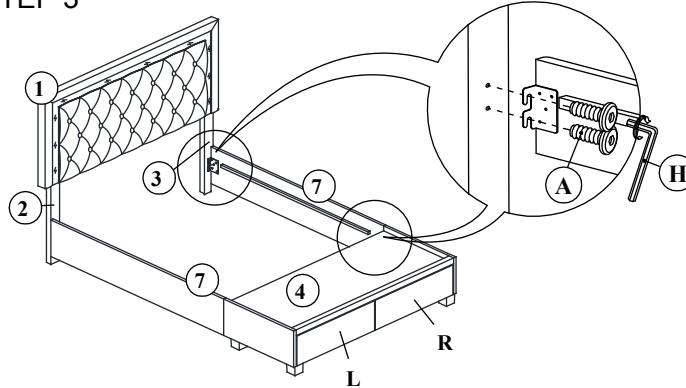
STEP 1



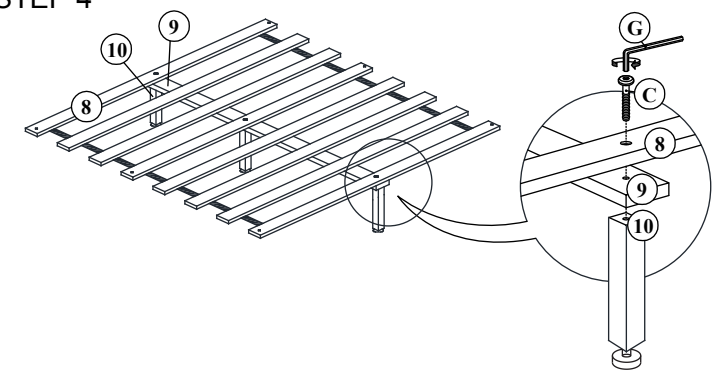
STEP 2



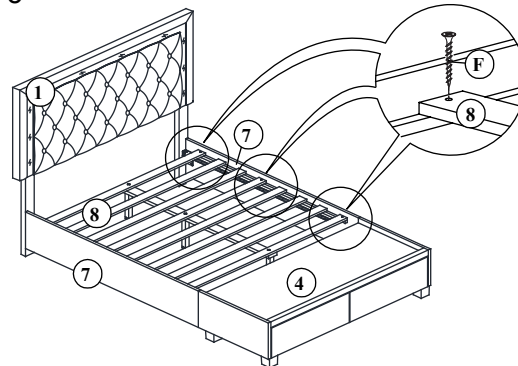
STEP 3



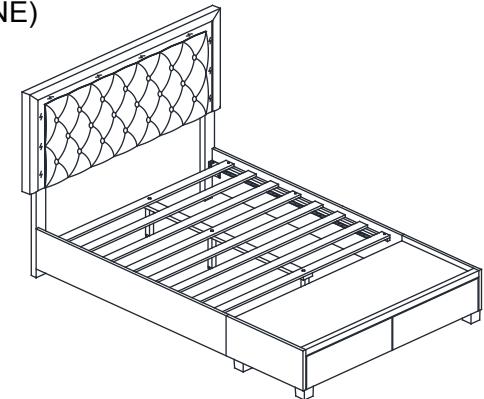
STEP 4



STEP 5



STEP 6 (DONE)



NOTE: AFTER A FEW DAYS OF ASSEMBLY, IT WILL HAVE ACCLIMATIZED TO THE ENVIRONMENT. PLEASE TIGHTEN ALL HARDWARE. CHECK TIGHTNESS OF ALL SCREWS EVERY 6-8 WEEKS.