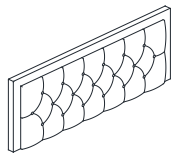
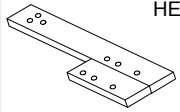





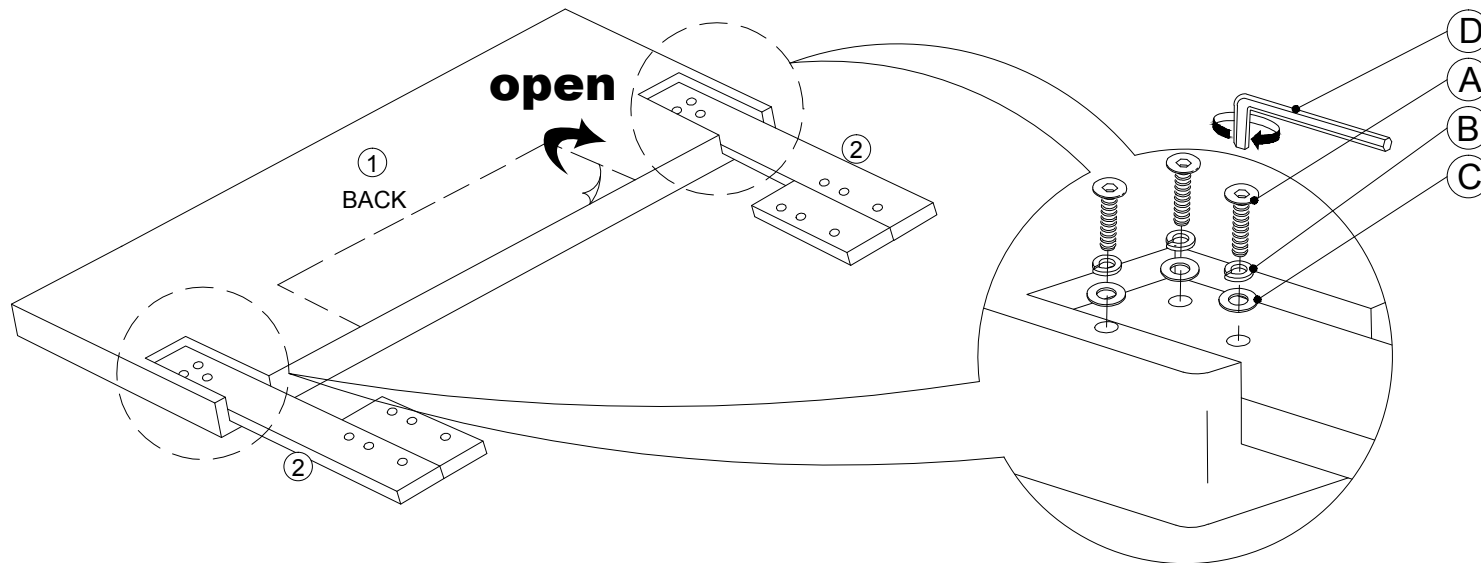


ASSEMBLY INSTRUCTION

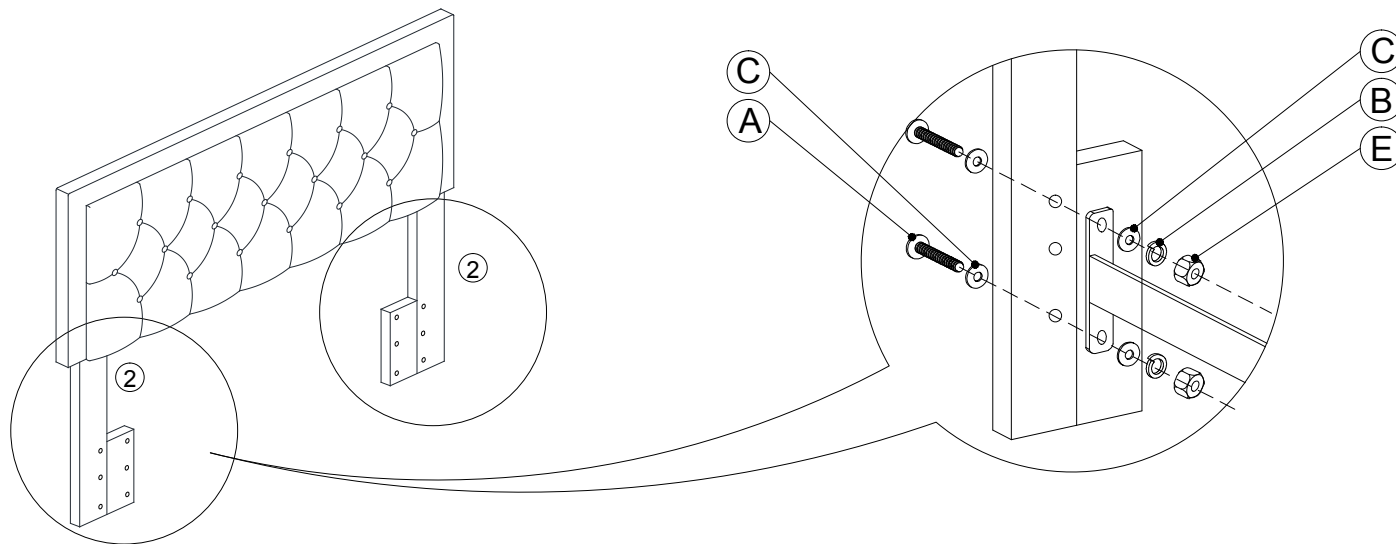
ITEM : B132/B133/B134
 FULL SIZE BED, QUEEN BED
 (HEAD BOARD ONLY)

NO	PART LIST	QTY
HEAD BOARD		
1		1pc
2		2pcs
HARDWARE LIST		
A	 JCBC SCREW M6 x 50mm	10pcs
B	 SPRING WASHER	10pcs
C	 FLAT WASHER	14pcs
D	 L - KEY M4 x 65mm	1pc
E	 HEX NUT	4pcs

STEP 1



STEP 2



ATTENTION
 All parts are
 inside the Headboard

NOTE: AFTER A FEW DAYS OF ASSEMBLY, IT WILL HAVE ACCLIMATIZED TO THE ENVIRONMENT. PLEASE TIGHTEN ALL HARDWARE. CHECK TIGHTNESS OF ALL SCREWS EVERY 6-8 WEEKS.