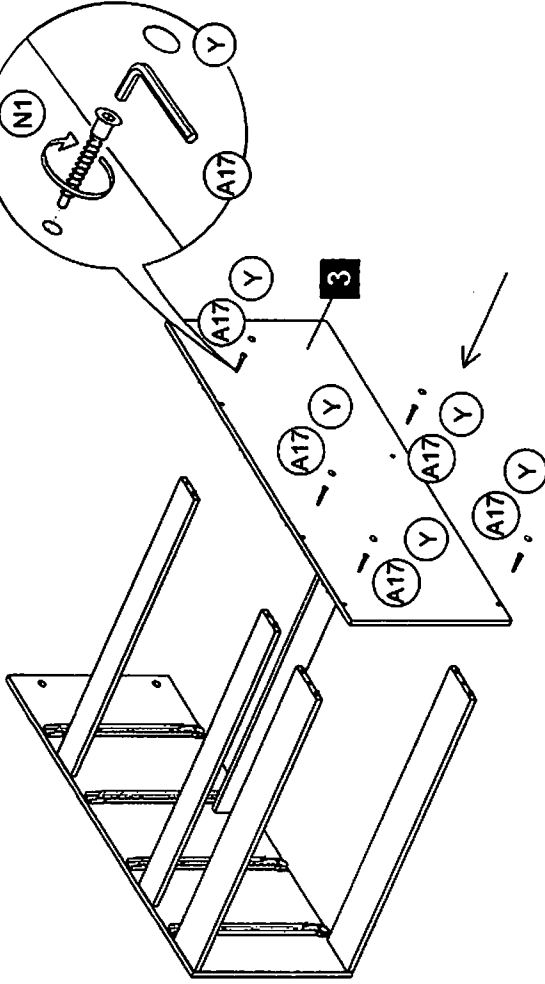


# ASSEMBLY INSTRUCTION

MODEL : WC-4

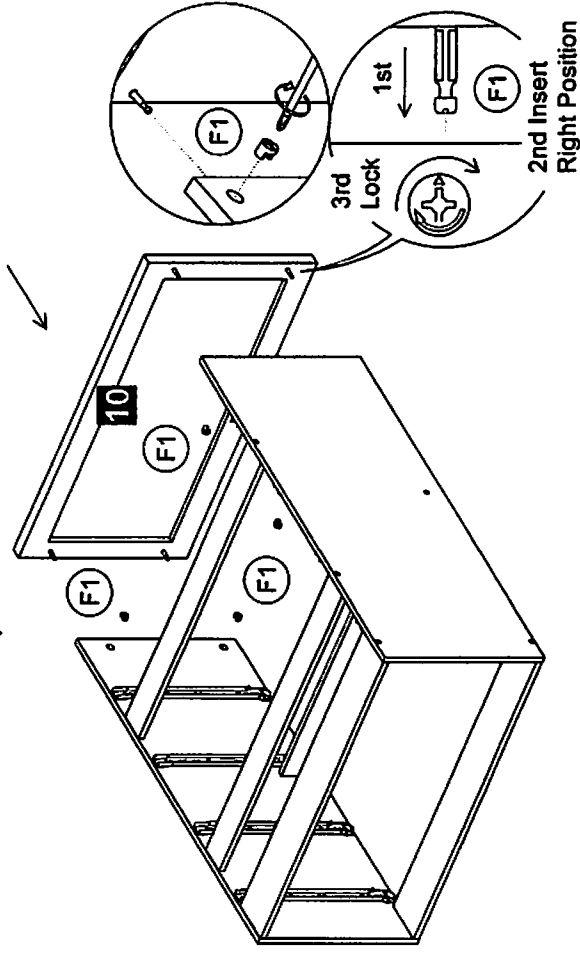
PAGE : 5/5

**STEP 9** Use Allen Key (N1) to tighten a Crosshead Screw (A17) & button the screw head with Crosshead Cover (Y).

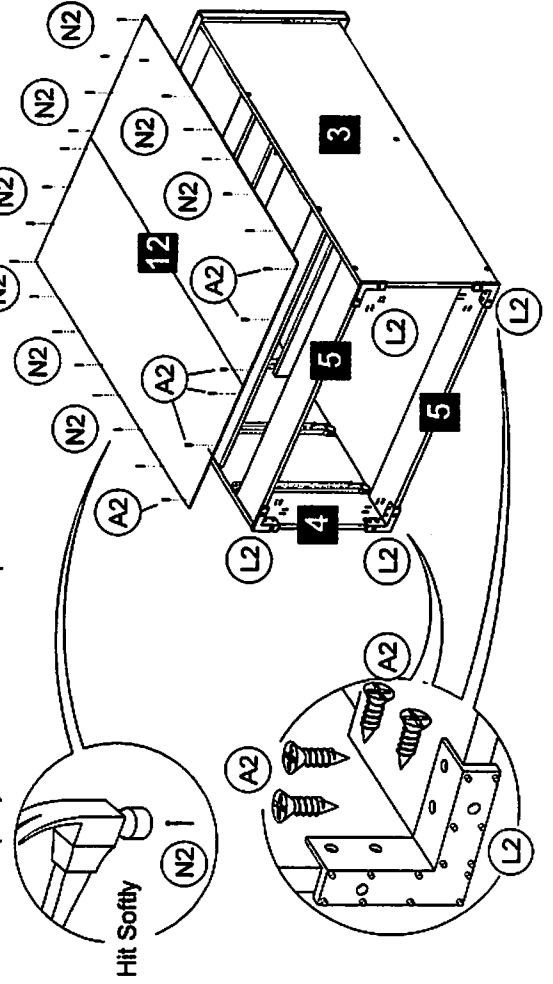


**STEP 10**

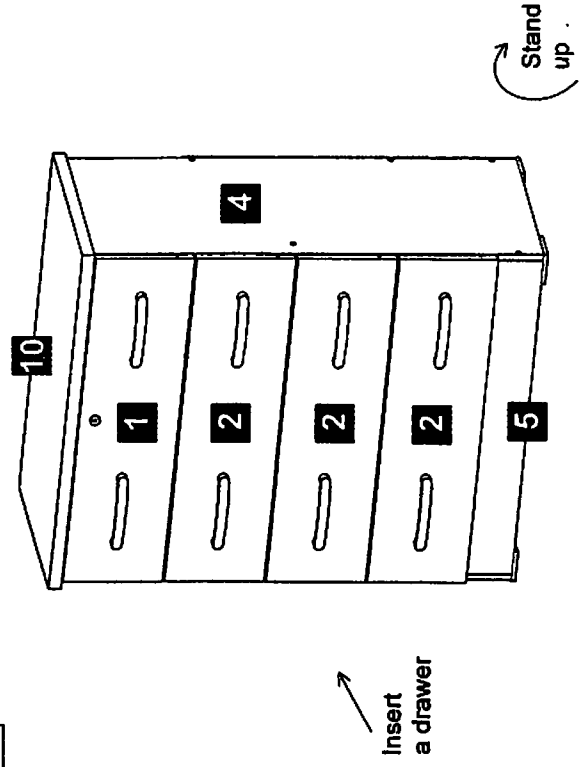
Attach panel no. 10 in right position and secure with Mini Fix 12mm (F1) at both side panel.



**STEP 11** Screw the Plastic Leg L Shape (L2) at between panel no. 5 & both side panel. Assemble the back panel with secure by Nail (N2). Use screw (A2) to secure bottom panel.

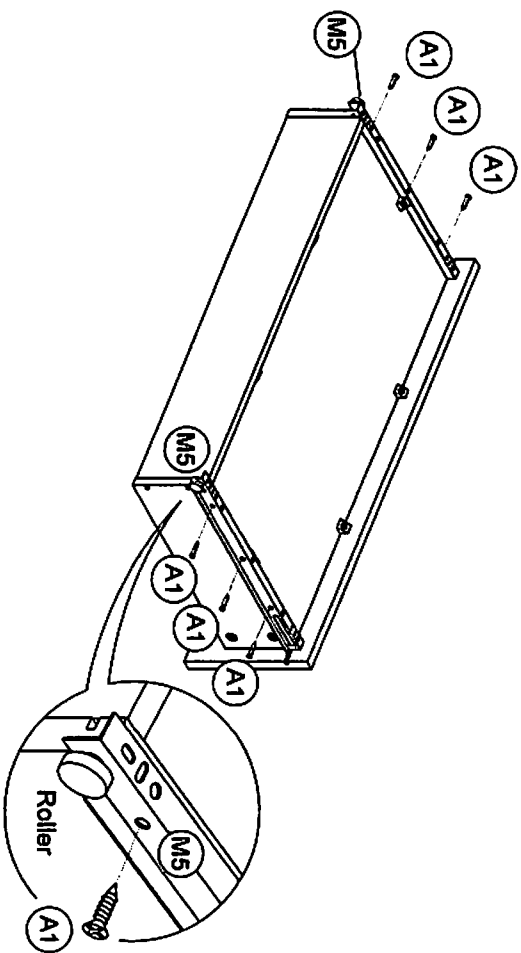


**COMPLETE**



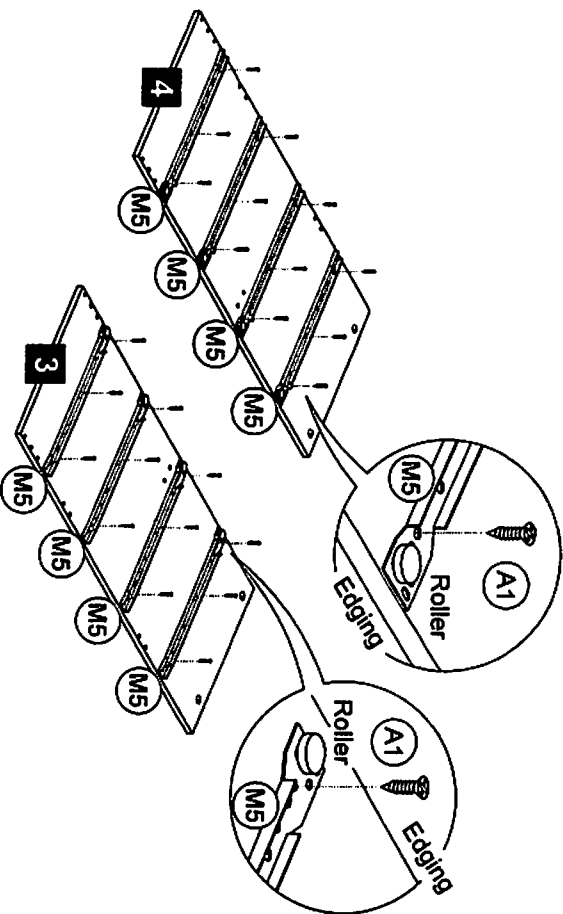
**STEP 5**

Use Screw (A1) to assemble the Drawer Metal Slide 350mm (M5) at both side drawer panel. Assemble 4 sets of drawer in repeated at step 5.



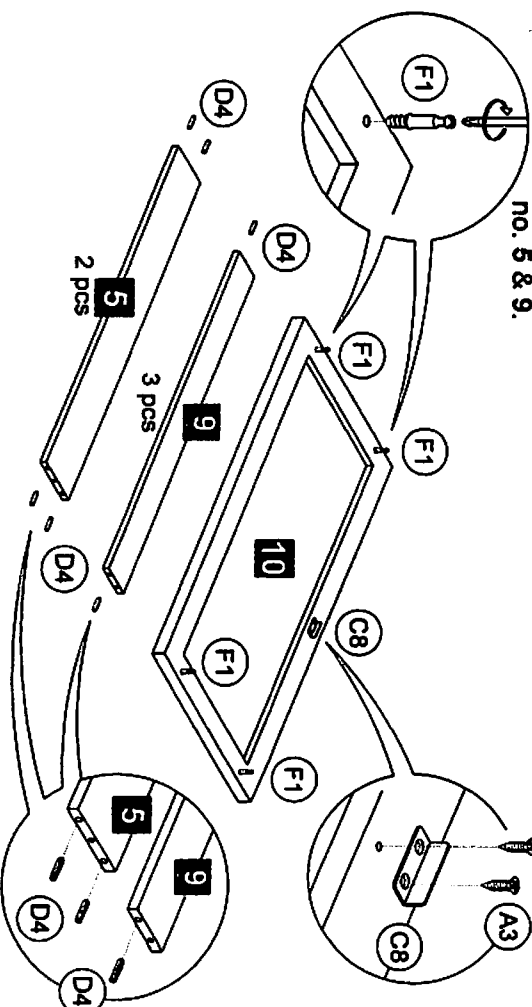
**STEP 7**

Use Screw (A1) to assemble left & right Drawer Metal Slide 350mm (M5) at marking hole no. 3 & 4.



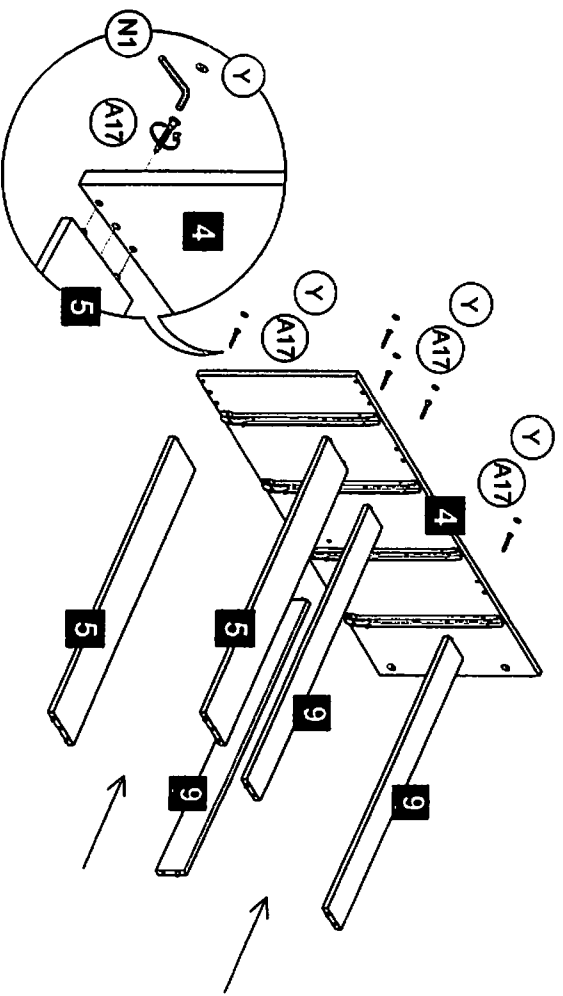
**STEP 6**

Screw the Mini Fix Bolt (F1) at marking hole panel no. 10 and use Screw (A3) to assemble the Square Lock L Bracket (C8) in right position. Then insert the Wood Dowel (D4) at both side panel no. 5 & 9.



**STEP 8**

Use Allen Key (N1) to tighten a Crosshead Screw (A17) & button the screw head with Crosshead Cover (Y).

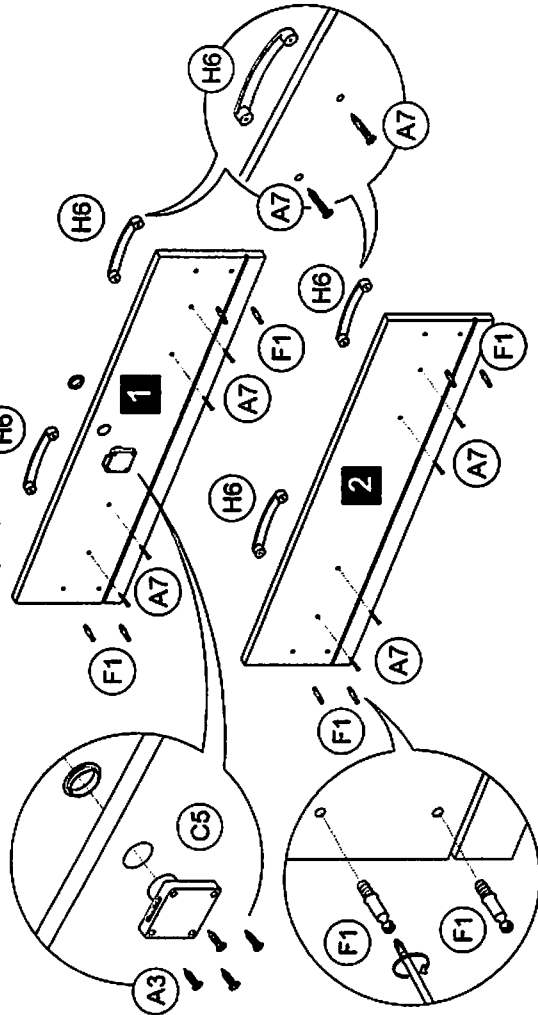


# ASSEMBLY INSTRUCTION

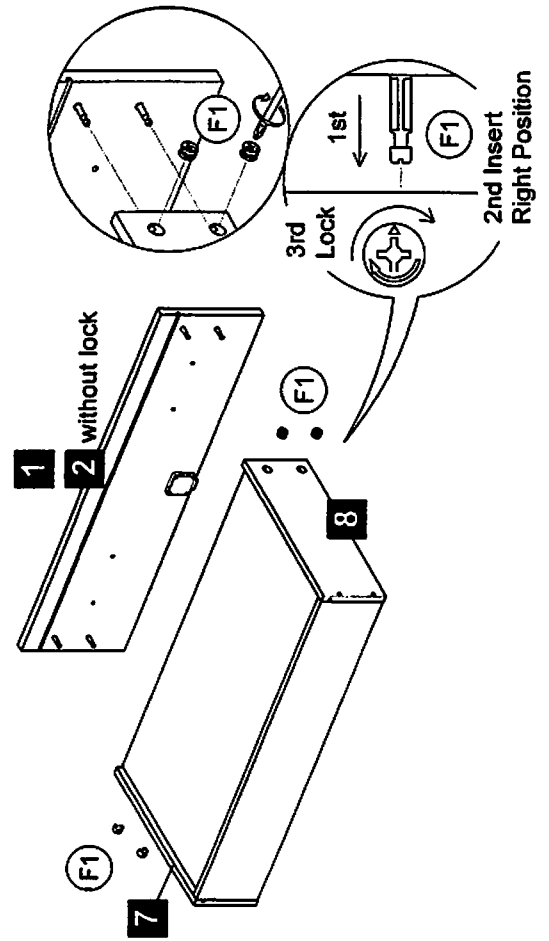
MODEL : WC-4

PAGE : 3/5

**STEP 1** Use Screw (A3) to screw the Square Lock Set (C5) at panel no. 1. Then fix the Mini Fix Bolt (F1) at panel no. 1 & 2 and use Screw (A7) to assemble the Handle (H6).

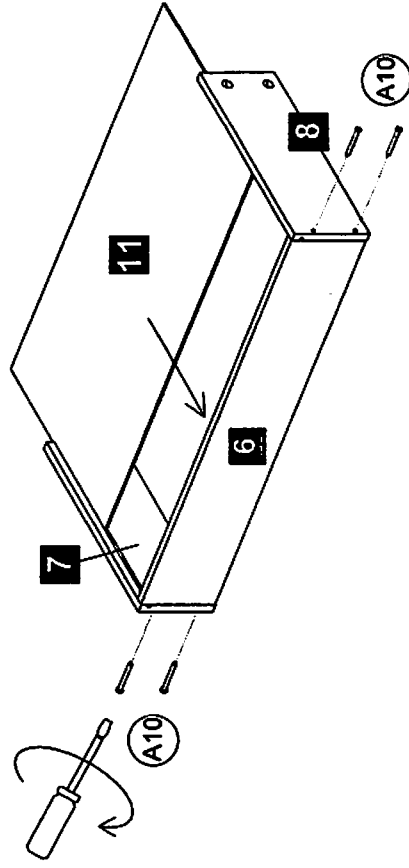


**STEP 3** Attach the drawer head with secure by Mini Fix 12mm (F1). Assemble 4 sets of drawer in repeated at step 3.



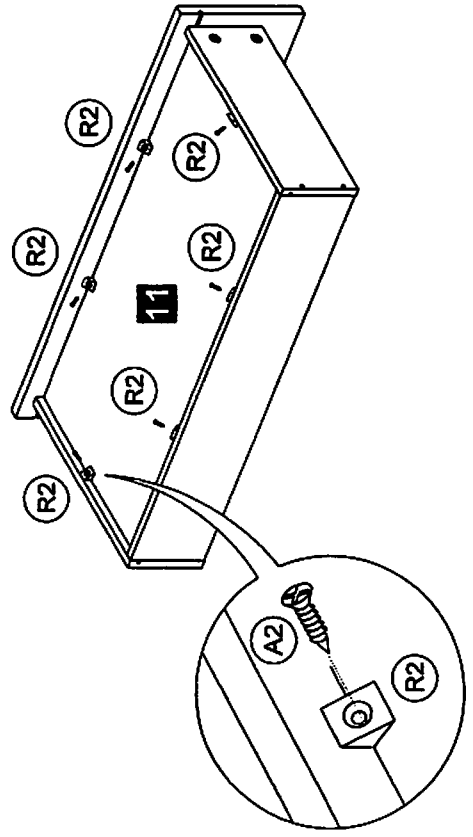
**STEP 2**

Assemble 4 sets of drawer in repeated at step 2.



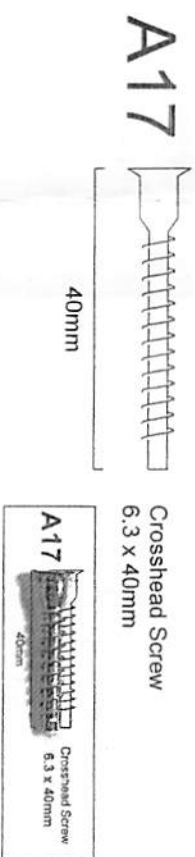
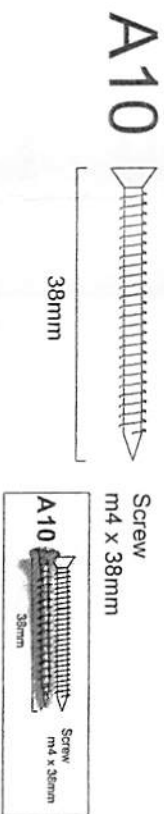
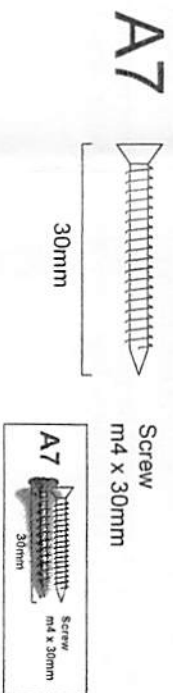
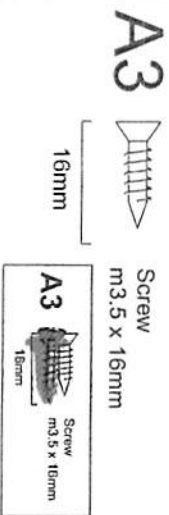
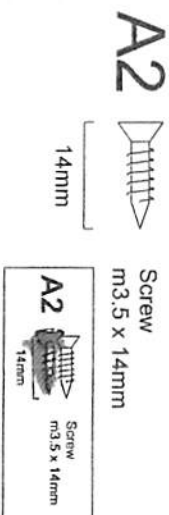
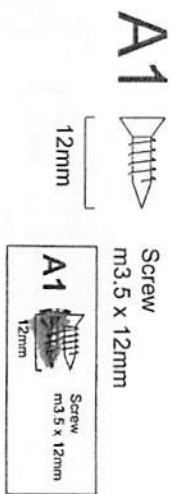
**STEP 4**

Use Screw (A2) to assemble the Single Plastic Cap (R2) to secure a bottom drawer panel. Assemble 4 sets of drawer in repeated at step 4.



Reference Screw Size.

Place your screw on top to identify the size.



# ASSEMBLY INSTRUCTION

MODEL : WC-4




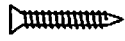
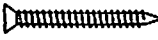
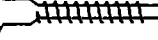


PAGE : 1/5

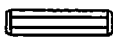


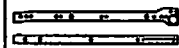


**Before you begin, please follow assembly instruction carefully, then follow step by step.**

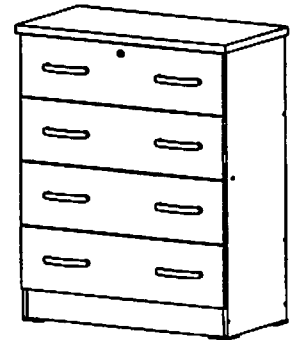
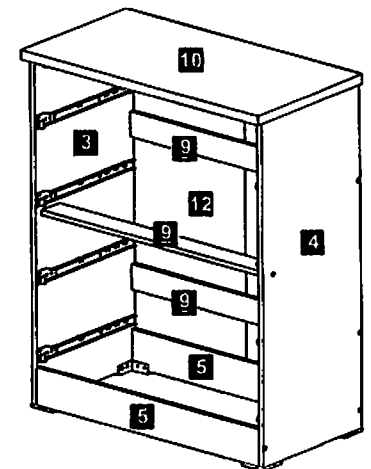
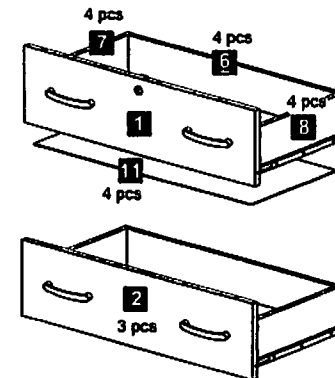
Read instruction carefully. See furniture Parts List and Hardware List for guidance. Be sure you have all parts before you start assembling. Place and assemble furniture on a clean flat soft surface, such as carpet, rug or carton to prevent being scratched.

## Reminder :

Please ensure that all surface and edges with colours / laminations are facing forward / outward.

HARDWARE LIST			QTY
A1		Screw m3.5 x 12mm	48
A2		Screw m3.5 x 14mm	46
A3		Screw m3.5 x 16mm	6
A7		Screw m4 x 30mm	16
A10		Screw m4 x 38mm	16
A17		Crosshead Screw 6.3 x 40mm	10
C5		Square Lock Set	1 set
C8		Square Lock L Bracket	1

D4		Wood Dowel 6 x 25mm	14
F1		Mini Fix 12mm	20 sets
H6		Handle 128mm (Silver)	8
L2		Plastic Leg L Shape	4
M5		Drawer Metal Slide 350mm	4 sets
N1		Allen Key	1
N2		Nail	16
R2		Single Plastic Cap	24
Y		Crosshead Cover	10



Each pack have contain different type hardware and size of screw for easy assemble.  
Please refer to page 2, check a screw size.

## CAUTION

MATERIAL USE LAMINATED PARTICLE BOARD, TO CLEAN USE SOFT, DRY CLOTH. DO NOT USE DETERGENT OR CHEMICAL AVOID CONTACT WITH WATER AND DIRECT SUNLIGHT. TO BE ASSEMBLED ON A SOFT, DRY, CLEAN SMOOTH SURFACE.



USE OF POWER TOOLS TO ASSEMBLE THIS PRODUCT WILL INVALIDATE ANY CLAIM AND MAY DAMAGE THIS PRODUCT MAKING IT UNSAFE.