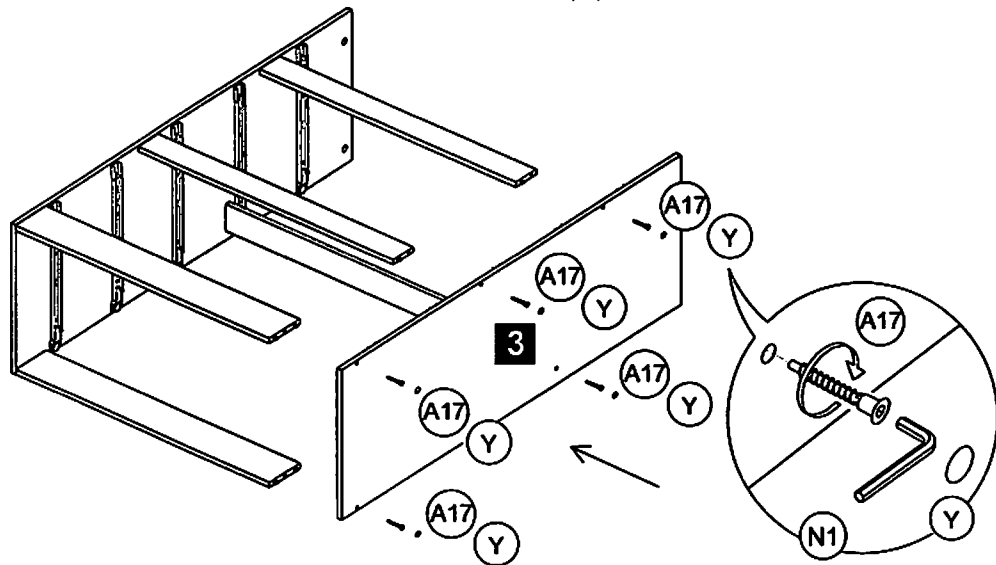
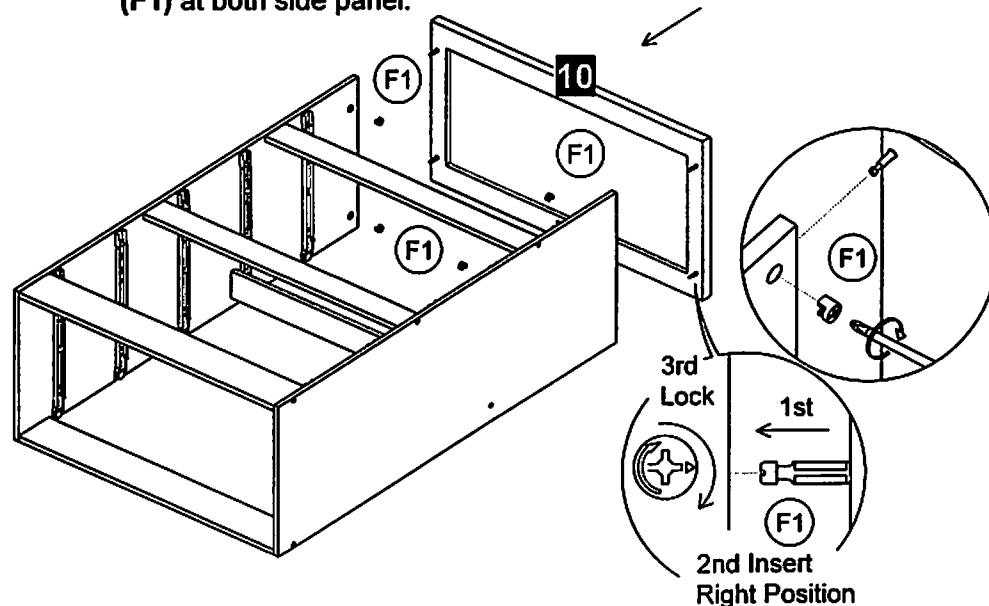


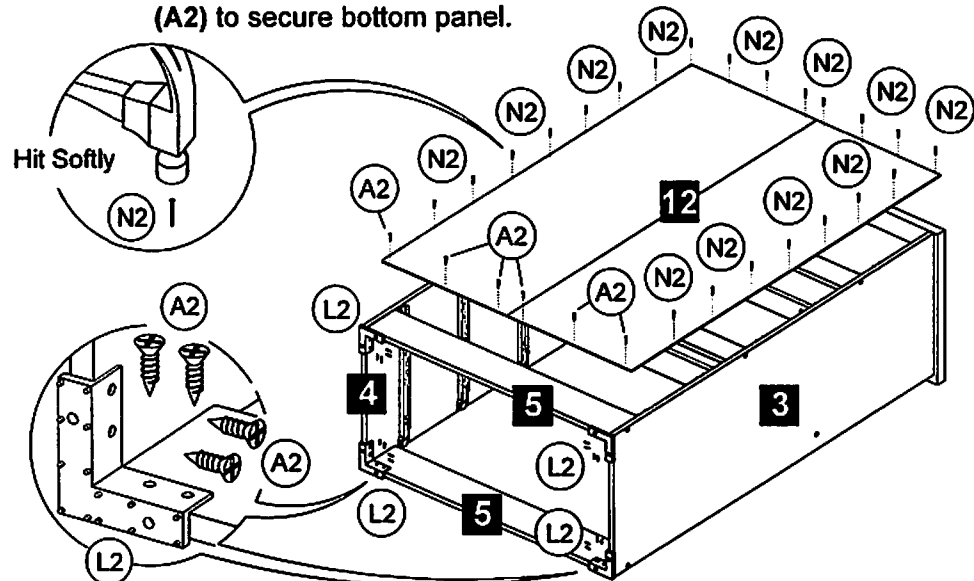
STEP 9 Use Allen Key (N1) to tighten a Crosshead Screw (A17) & button the screw head with Crosshead Cover (Y).



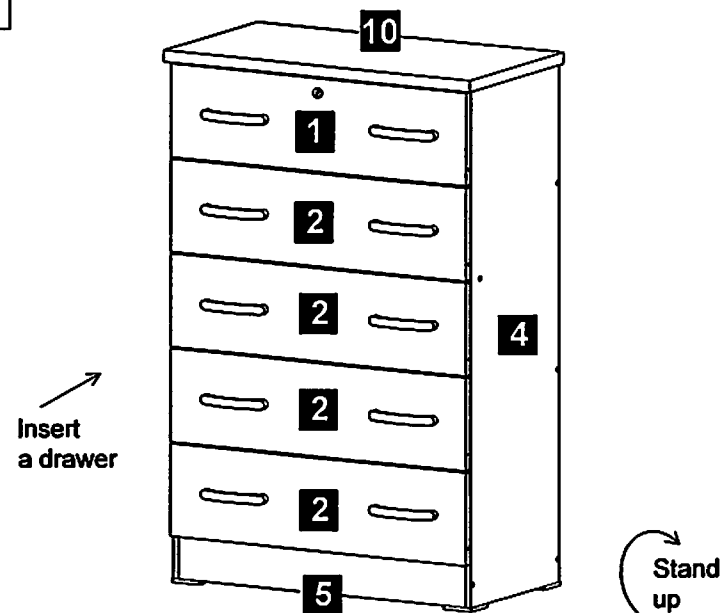
STEP 10 Attach panel no. 10 in right position and secure with Mini Fix 12mm (F1) at both side panel.



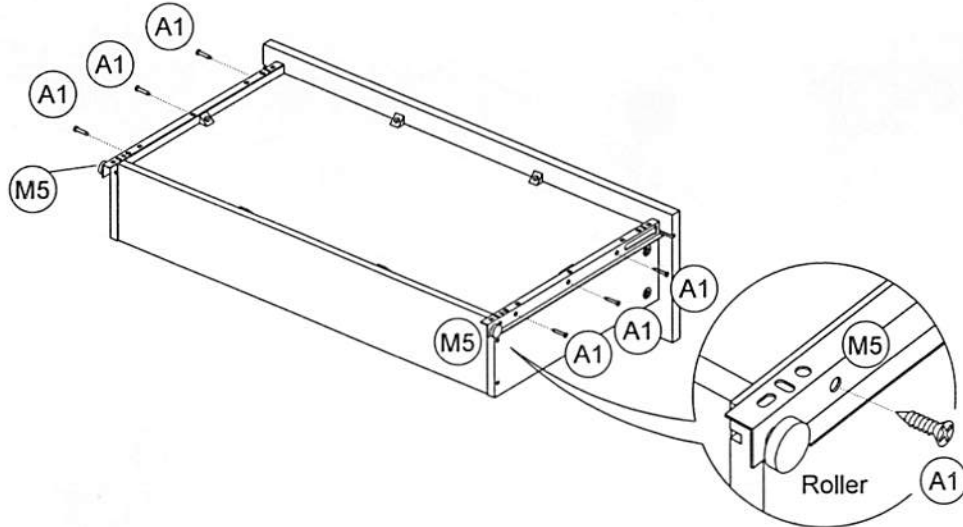
STEP 11 Screw the Plastic Leg L Shape (L2) at between panel no. 5 & both side panel. Assemble the back panel with secure by Nail (N2). Use screw (A2) to secure bottom panel.



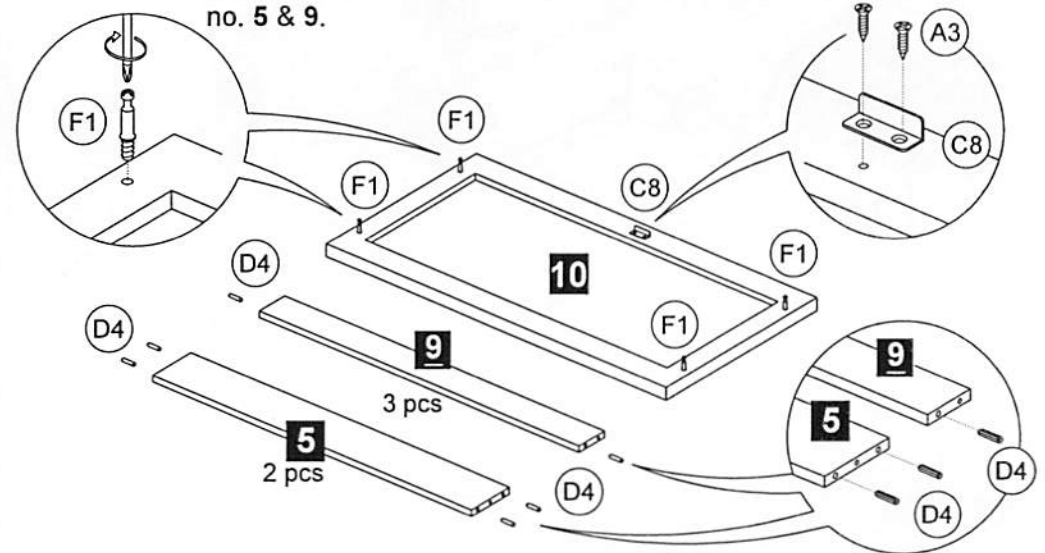
COMPLETE



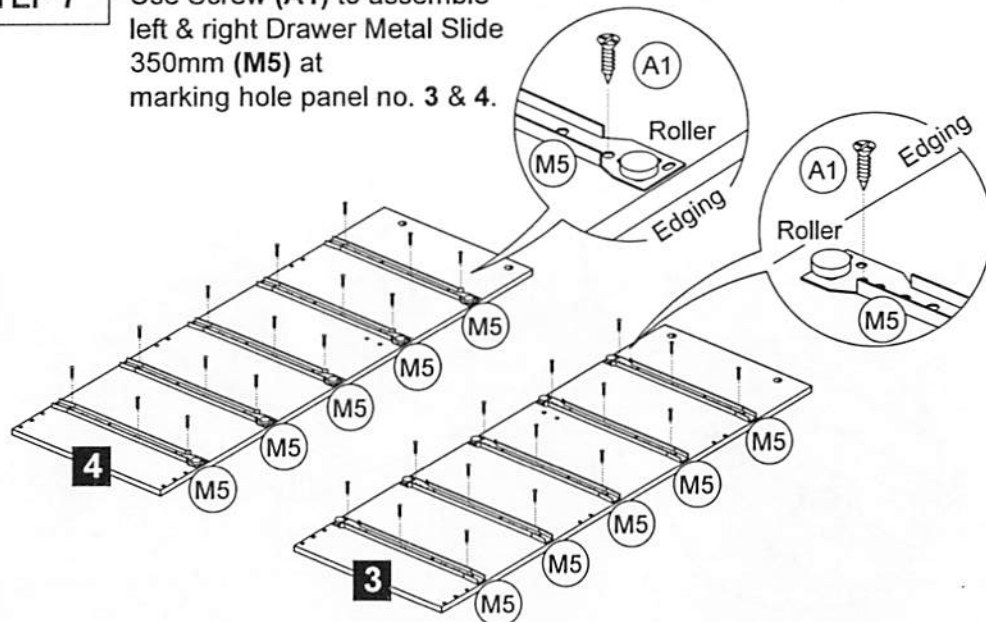
STEP 5 Use Screw (A1) to assemble the Drawer Metal Slide 350mm (M5) at both side drawer panel. Assemble 5 sets of drawer in repeated at step 5.



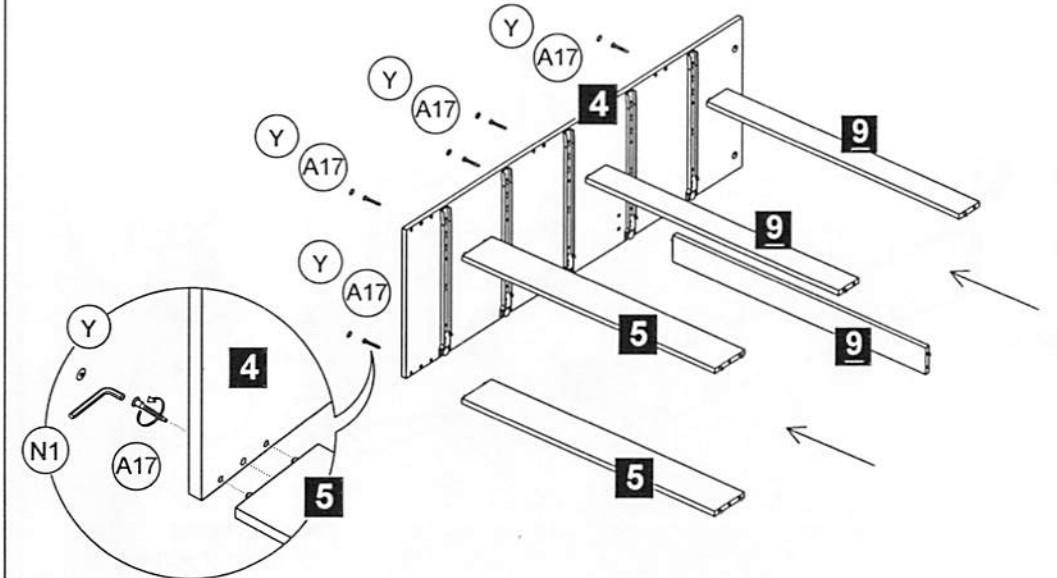
STEP 6 Screw the Mini Fix Bolt (F1) at marking hole panel no. 10 and use Screw (A3) to assemble the Square Lock L Bracket (C8) in right position. Then insert the Wood Dowel (D4) at both side panel no. 5 & 9.



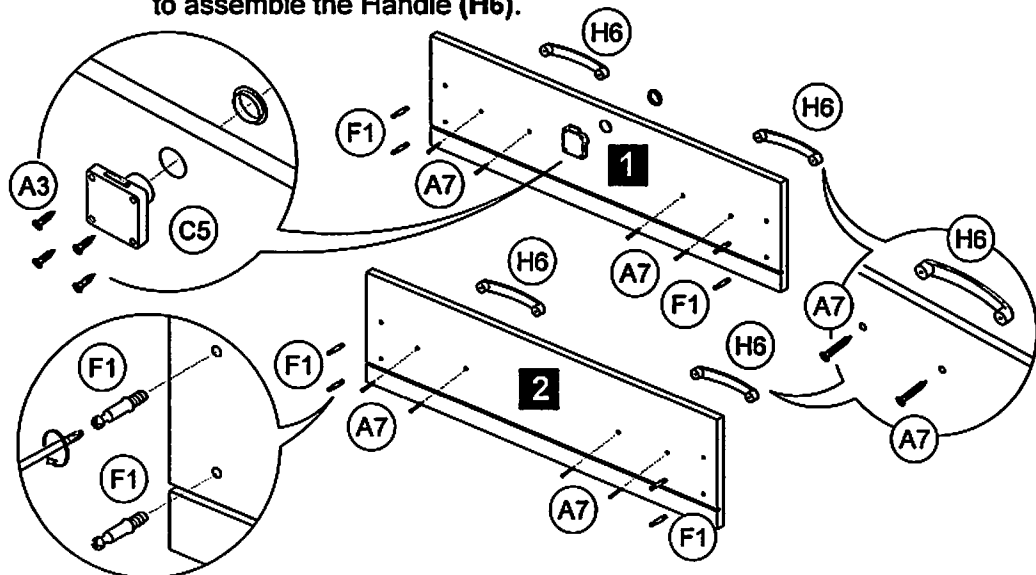
STEP 7 Use Screw (A1) to assemble left & right Drawer Metal Slide 350mm (M5) at marking hole panel no. 3 & 4.



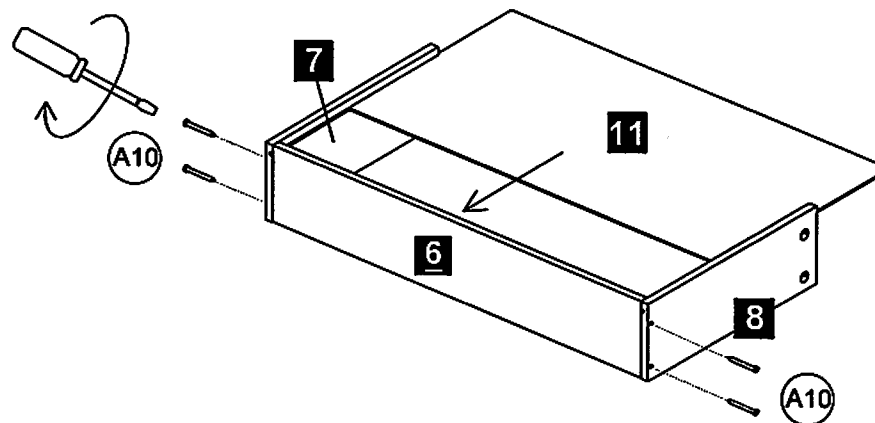
STEP 8 Use Allen Key (N1) to tighten a Crosshead Screw (A17) & button the screw head with Crosshead Cover (Y).



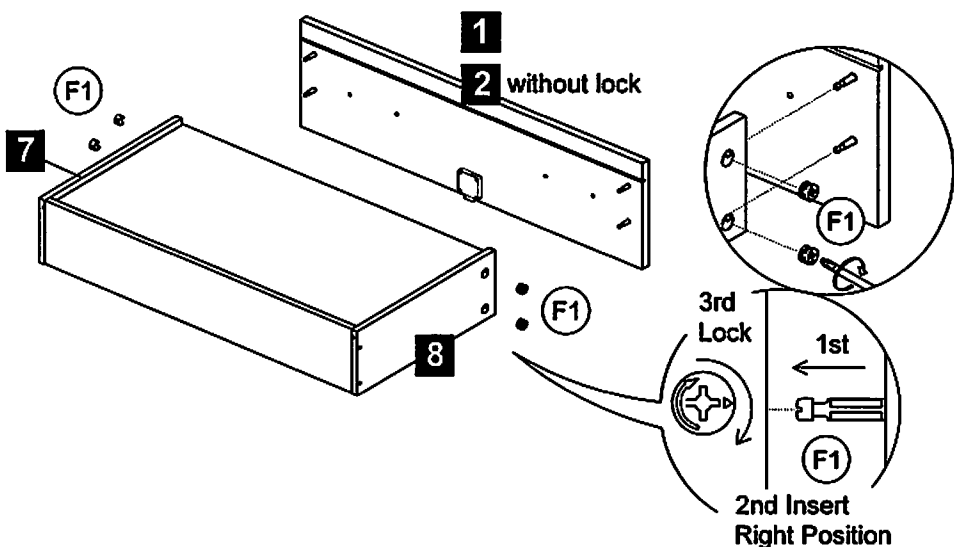
STEP 1 Use Screw (A3) to screw the Square Lock Set (C5) at panel no. 1. Then fix the Mini Fix Bolt (F1) at panel no. 1 & 2 and use Screw (A7) to assemble the Handle (H6).



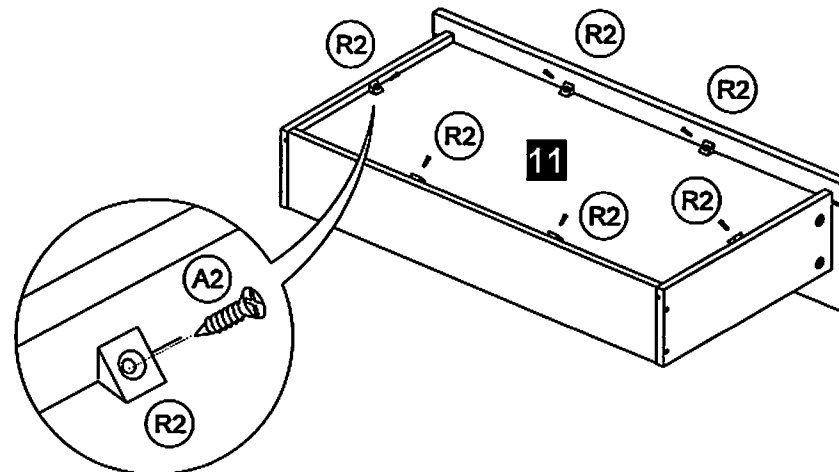
STEP 2 Assemble 5 sets of drawer in repeated at step 2.



STEP 3 Attach the drawer head with secure by Mini Fix 12mm (F1). Assemble 5 sets of drawer in repeated at step 3.



STEP 4 Use Screw (A2) to assemble the Single Plastic Cap (R2) to secure a bottom drawer panel. Assemble 5 sets of drawer in repeated at step 4.



Reference Screw Size.

Place your screw on top to identify the size.

A1



12mm

Screw
m3.5 x 12mm



A1

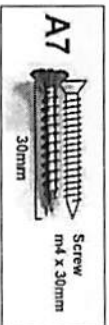
Screw
m3.5 x 12mm

A7



30mm

Screw
m4 x 30mm



A7

Screw
m4 x 30mm

A2



14mm

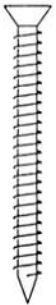
Screw
m3.5 x 14mm



A2

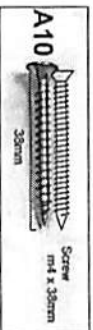
Screw
m3.5 x 14mm

A10



38mm

Screw
m4 x 38mm



A10

Screw
m4 x 38mm

A3



16mm

Screw
m3.5 x 16mm



A3

Screw
m3.5 x 16mm

A17



40mm

Crosshead Screw
6.3 x 40mm



A17









Crosshead Screw
6.3 x 40mm

Before you begin, please follow assembly instruction carefully, then follow step by step.

Read instruction carefully. See furniture Parts List and Hardware List for guidance. Be sure you have all parts before you start assembling. Place and assemble furniture on a clean flat soft surface, such as carpet, rug or carton to prevent being scratched.

Reminder :

Please ensure that all surface and edges with colours / laminations are facing forward / outward.

HARDWARE LIST			QTY
A1		Screw m3.5 x 12mm	60
A2		Screw m3.5 x 14mm	52
A3		Screw m3.5 x 16mm	6
A7		Screw m4 x 30mm	20
A10		Screw m4 x 38mm	20
A17		Crosshead Screw 6.3 x 40mm	10
C5		Square Lock Set	1 set
C8		Square Lock L Bracket	1

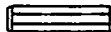
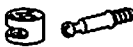


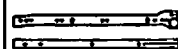
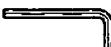



Each pack have contain different type hardware and size of screw for easy assemble.
Please refer to page 2, check a screw size.

CAUTION

MATERIAL USE LAMINATED PARTICLE BOARD, TO CLEAN USE SOFT, DRY CLOTH. DO NOT USE DETERGENT OR CHEMICAL AVOID CONTACT WITH WATER AND DIRECT SUNLIGHT. TO BE ASSEMBLED ON A SOFT, DRY, CLEAN SMOOTH SURFACE.



USE OF POWER TOOLS TO ASSEMBLE THIS PRODUCT WILL INVALIDATE ANY CLAIM AND MAY DAMAGE THIS PRODUCT MAKING IT UNSAFE.

D4		Wood Dowel 6 x 25mm	14
F1		Mini Fix 12mm	24 sets
H6		Handle 128mm (Silver)	10
L2		Plastic Leg L Shape	4
M5		Drawer Metal Slide 350mm	5 sets
N1		Allen Key	1
N2		Nail	20
R2		Single Plastic Cap	30
Y		Crosshead Cover	10

