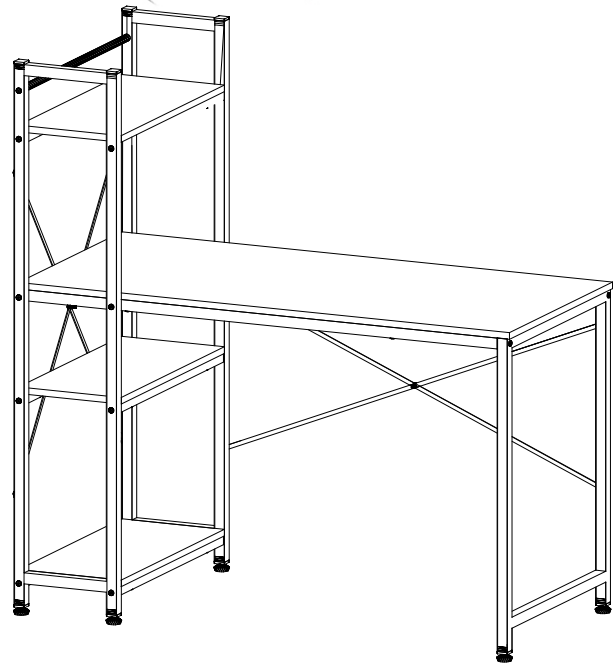


# ASEMSABLE INSTRUCMENT


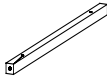
















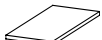

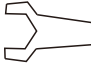
MODEL : RH901T



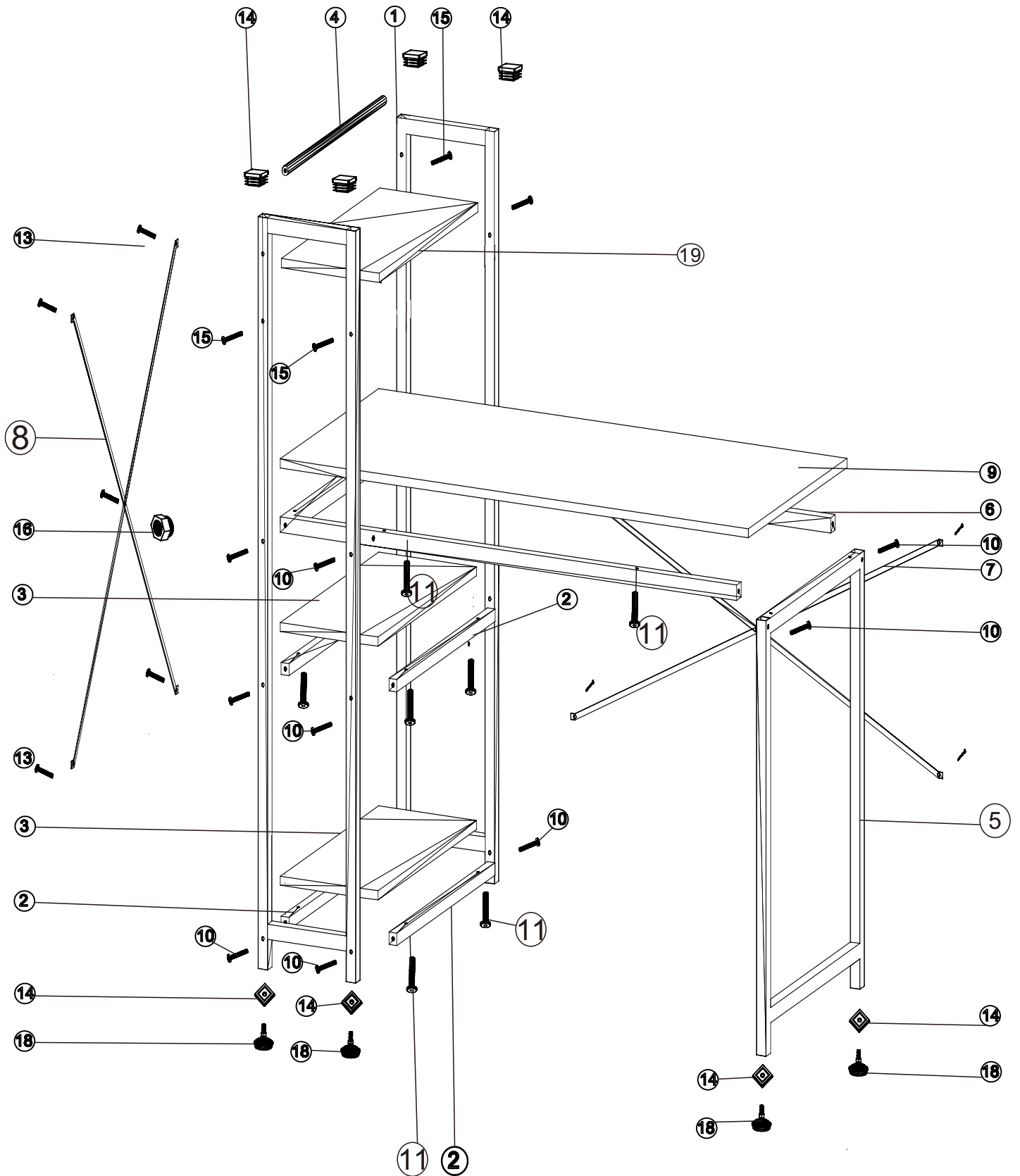
**WARNING**

○Please don't tighteen all screns until allin stalled

## ACCESSORIES

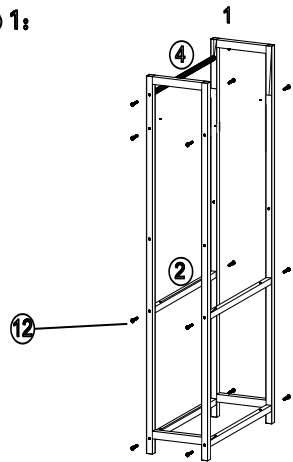
①  x1	②  x1	③  x3
④  x1	⑤  x1	⑥  x1
⑦  x1	⑧  x1	⑨  x1
⑩  6x40 x12	⑪  6x30 x18	⑫  6x35 x8
⑬  6x16 x10	⑭  x4	⑮  5 x 50
⑯  x4	⑰  x1	⑱  x6
⑲  x1	A  x1	B  x1

# TOTAL VIEW



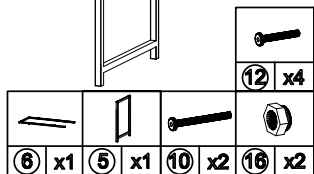
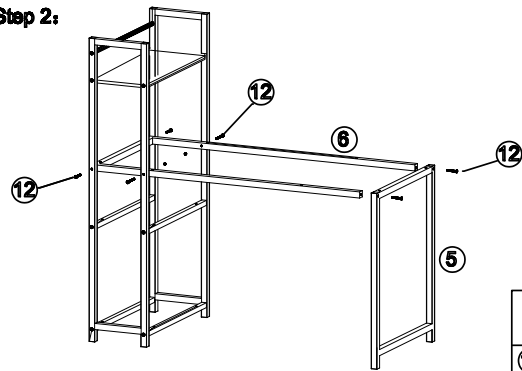
# ASSEMBLE

Step 1:

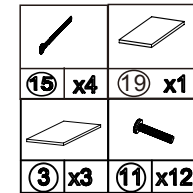
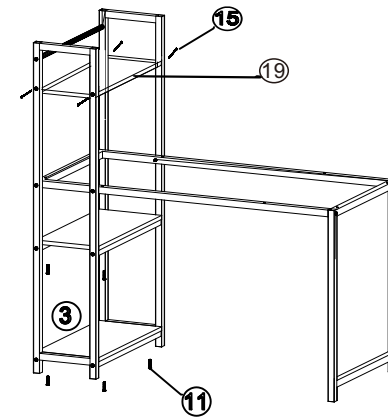


12 x14

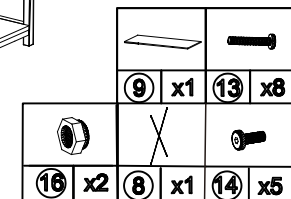
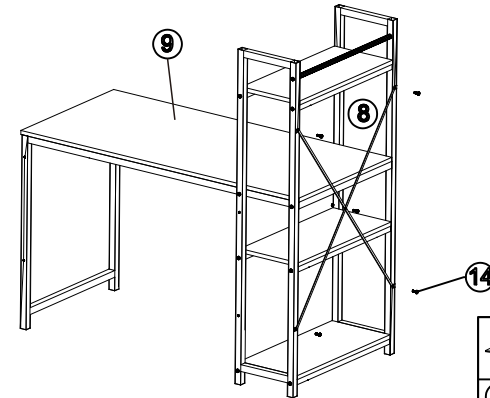
Step 2:



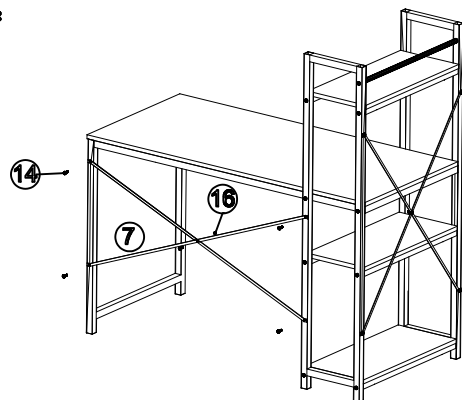
Step 3:



Step 4:

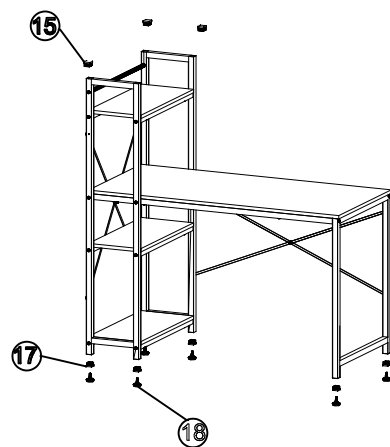


Step 5:



7 x1	14 x5	16 x2

Step 7:



15 x4	18 x6
17 x6	18 x6

FINAL:

