


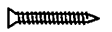

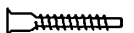
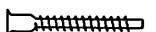


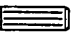



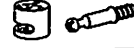



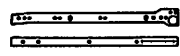

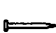
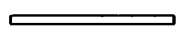




Before you begin, please follow assembly instruction carefully, then follow step by step.

Read instruction carefully. See furniture Parts List and Hardware List for guidance. Be sure you have all parts before you start assembling. Place and assemble furniture on a clean flat soft surface, such as carpet, rug or carton to prevent being scratched.

Reminder :

Please ensure that all surfaces and edges with colours / laminations are facing forward / outward.

HARDWARE LIST			QTY
A1		Screw m3.5 x 12mm	2
A2		Screw m3.5 x 14mm	114
A4		Screw m3.5 x 20mm	8
A7		Screw m4 x 30mm	10
A10		Screw m4 x 38mm	8
A17		Crosshead Screw 6.3 x 40mm	28
A18		Crosshead Screw 6.3 x 50mm	6
C5		Square Lock Set	2 Sets
C8		Square Lock L Bracket	2
D4		Wood Dowel 6 x 25mm	16
E5		Soft Closing Hinge 5/8	7

F2		Mini Fix 15mm	8 Sets
M6		Handle 128mm (Silver)	5
L1		Leg Pin	2
L2		Plastic Leg L Shape	4
M6		Drawer Metal Slide 40mm	2 Sets
N1		Allen Key	1
N2		Nail	70 (+-3)
P		Hanging Steel Pipe 18mm x 581mm	1
R1		L Bracket	2
R2		Single Plastic Cap	12
S2		Door Stopper	2
Y		Crosshead Cover	26

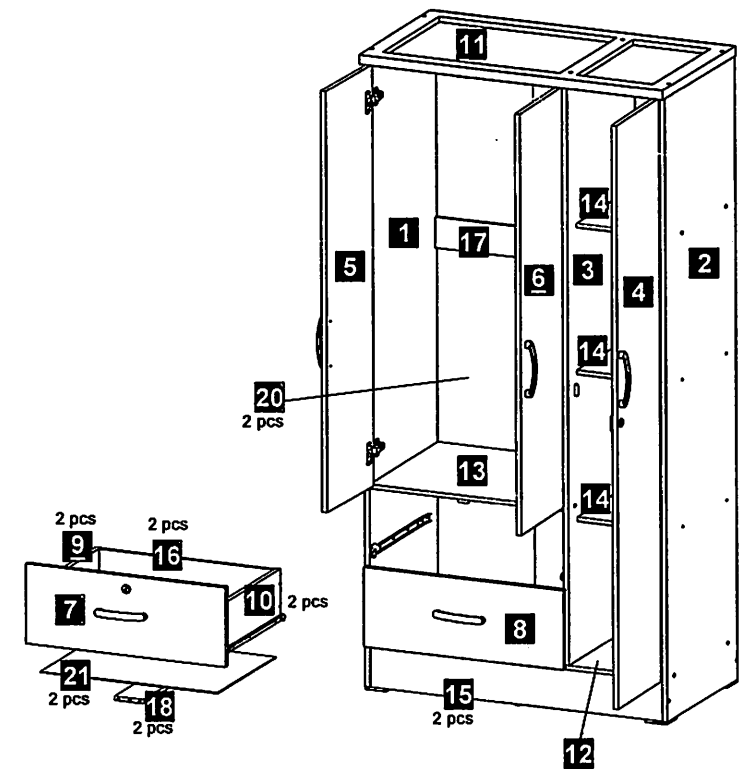
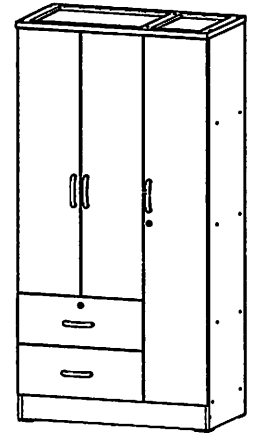
Each pack have contain different types hardware and sizes of screw for easy assemble. Please refer to page 2, check a screw size.

CAUTION

MATERIAL USE LAMINATED PARTICLE BOARD, TO CLEAN USE SOFT, DRY CLOTH. DO NOT USE DETERGENT OR CHEMICAL. AVOID CONTACT WITH WATER AND DIRECT SUNLIGHT. TO BE ASSEMBLED ON A SOFT, DRY, CLEAN SMOOTH SURFACE.




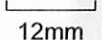
USE OF POWER TOOLS TO ASSEMBLE THIS PRODUCT WILL INVALIDATE ANY CLAIM AND MAY DAMAGE THIS PRODUCT MAKING IT UNSAFE.




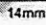
Reference Screw Size.

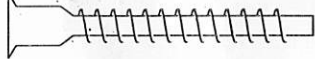
Place your screw on top to identify the size.

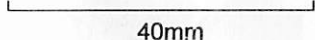
A1  Screw
m3.5 x 12mm

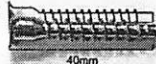
 12mm

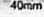
A1  Screw
m3.5 x 14mm


 14mm

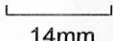
A17  Crosshead Screw
6.3 x 40mm


 40mm

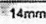
A17  Crosshead Screw
6.3 x 40mm

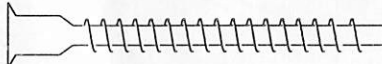
 40mm

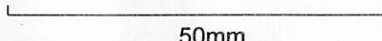
A2  Screw
m3.5 x 14mm


 14mm

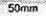
A2  Screw
m3.5 x 14mm

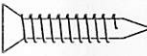
 14mm

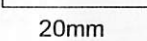
A18  Crosshead Screw
6.3 x 50mm


 50mm

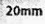
A18  Crosshead Screw
6.3 x 50mm


 50mm

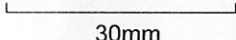
A4  Screw
m3.5 x 20mm

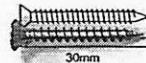
 20mm

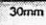
A4  Screw
m3.5 x 20mm

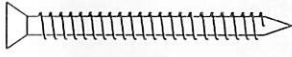
 20mm

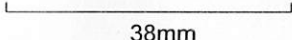
A7  Screw
m4 x 30mm


 30mm

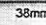
A7  Screw
m4 x 30mm

 30mm

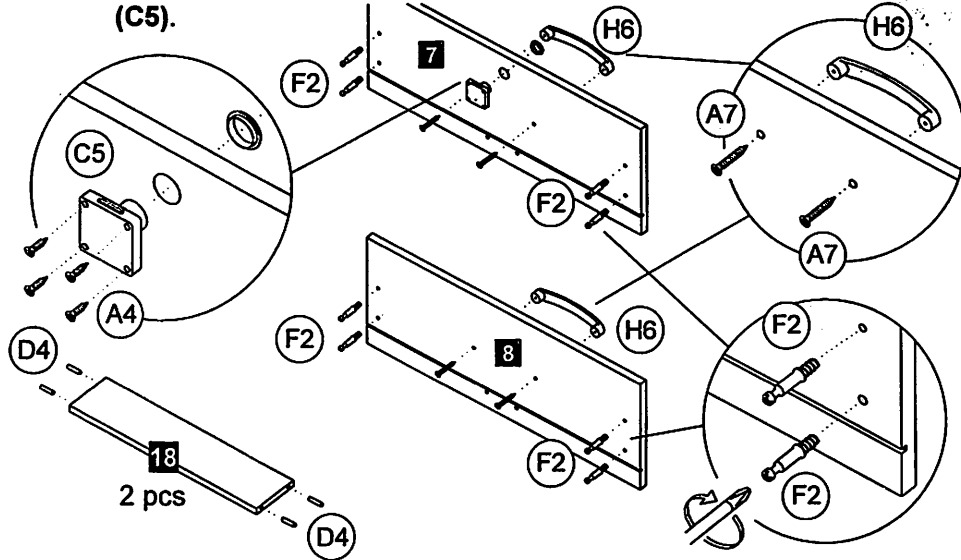
A10  Screw
m4 x 38mm

 38mm

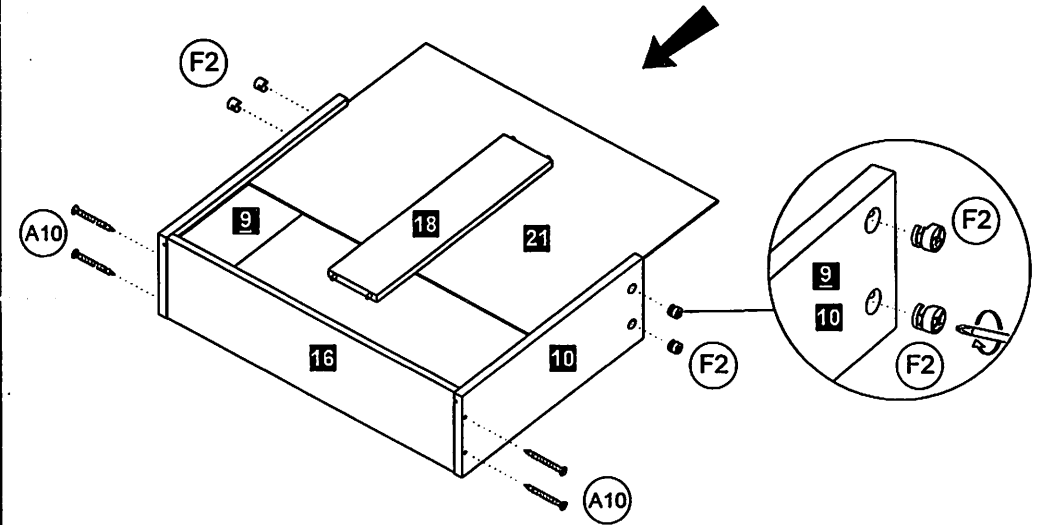
A10  Screw
m4 x 38mm

 38mm

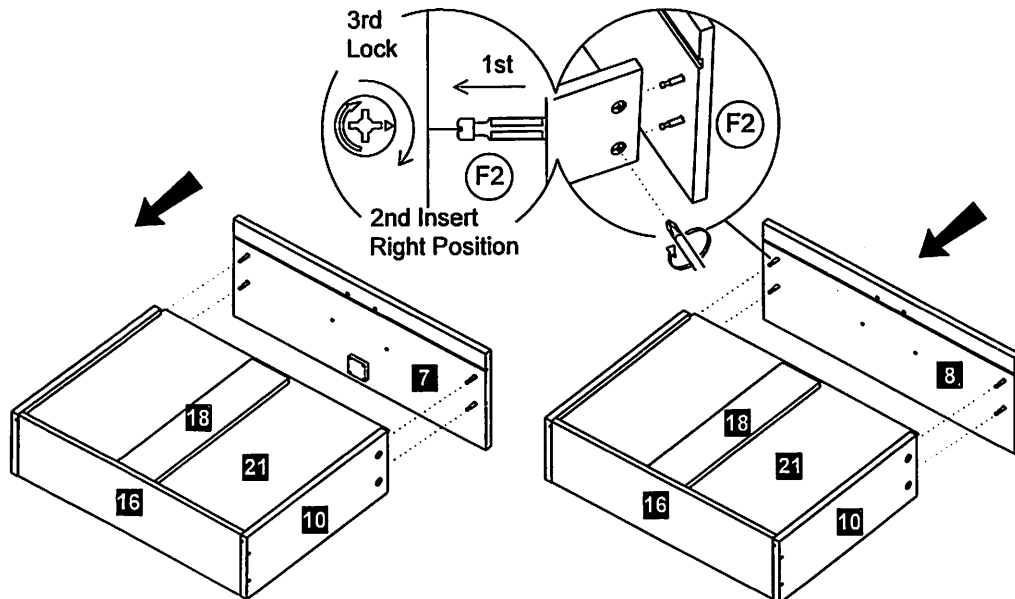
STEP 1 First, fix a Mini Fix Bolt 15mm (F2) at all panel no. 7 & 8. Insert a Wood Dowel (D4) at both panels no. 18. Use Screw (A7) to assemble the Handle (H6). Use Screw (A4) to assemble the Square Lock Set (C5).



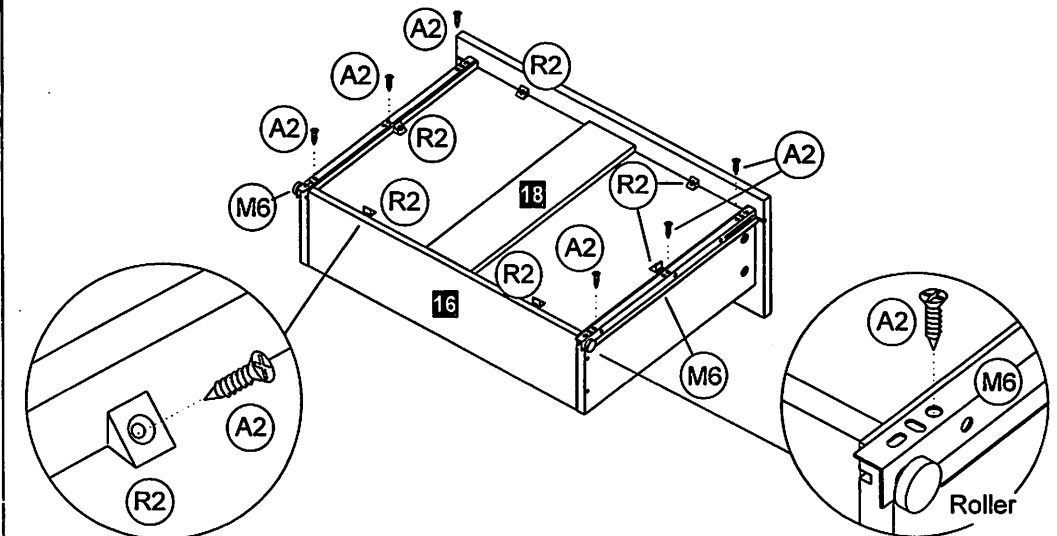
STEP 2 Assemble 2 sets of drawer using Screw (A10) in repeated at step 2.



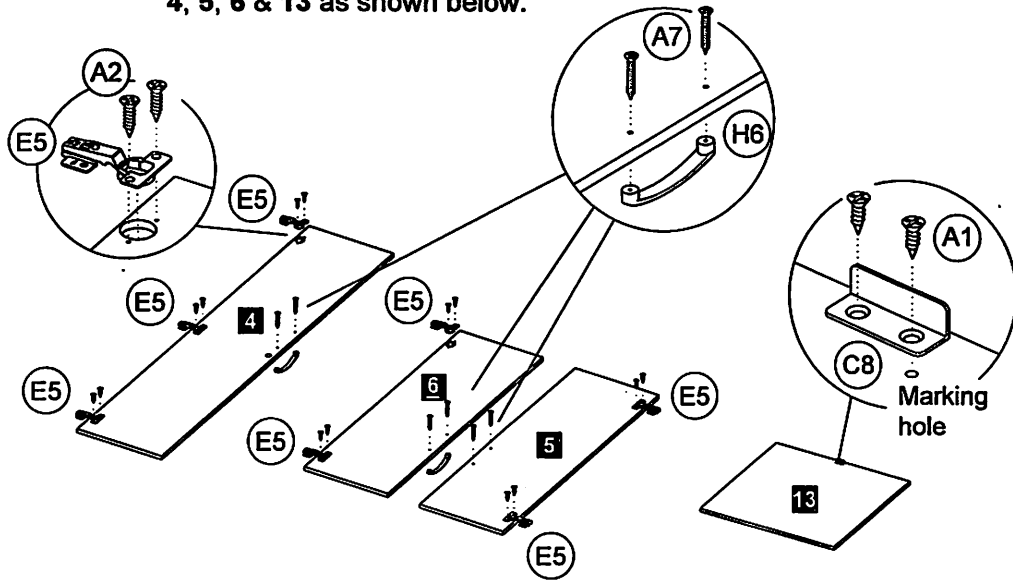
STEP 3 Assemble 2 sets drawer head panel using Mini Fix 15mm (F2).



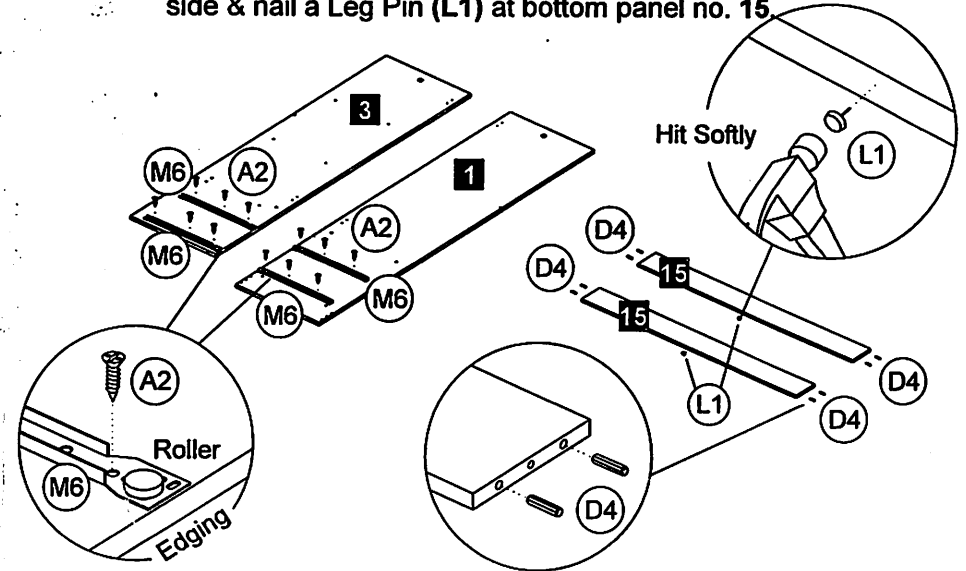
STEP 4 Use Screw (A2) to assemble Single Plastic Cap (R2) & Drawer Metal Slide 400mm (M6) at panels no. 9 & 10. Assemble 2 sets of drawer in repeated at step 4.



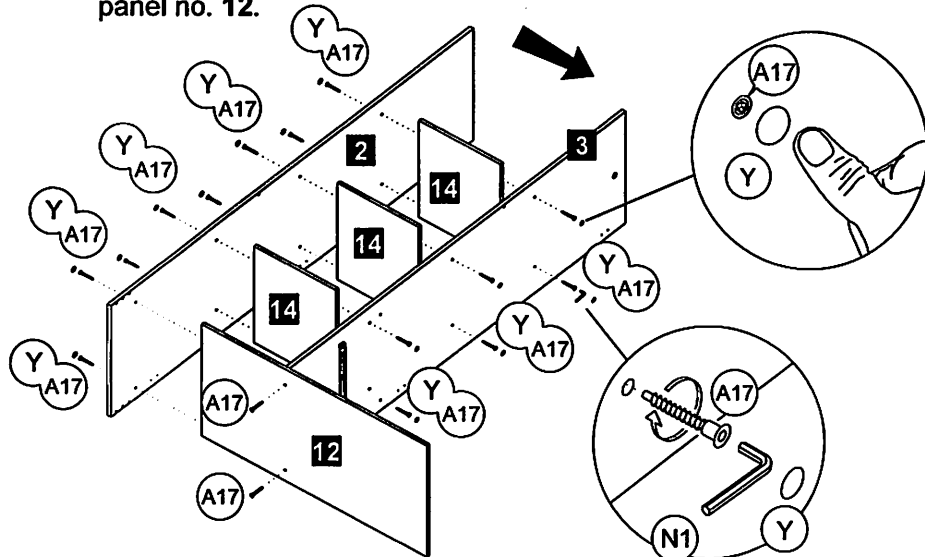
STEP 5 Assemble the hardware items with different sizes screw at panel no. 4, 5, 6 & 13 as shown below.



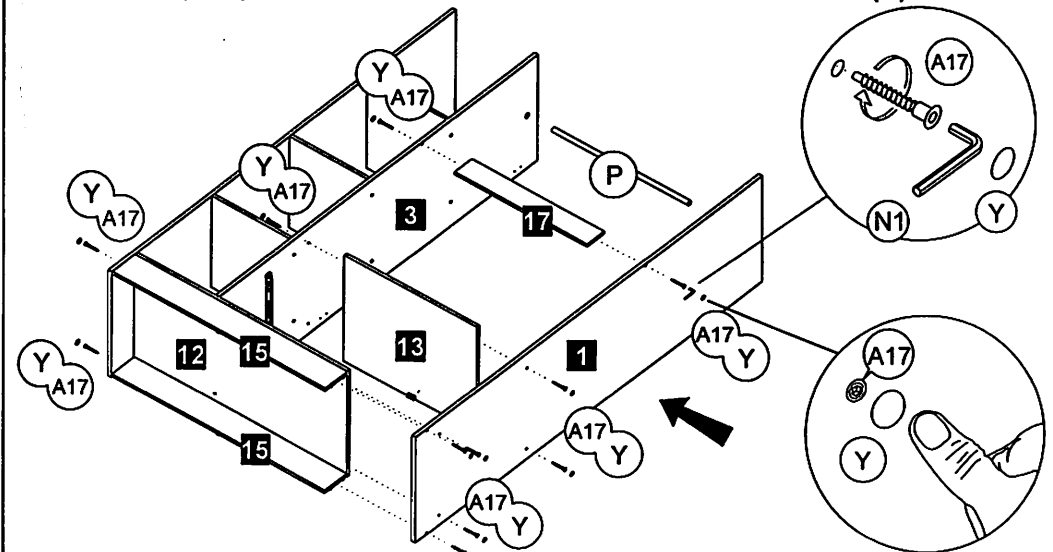
STEP 6 Use Screw (A2) to assemble Drawer Metal Slide 400mm (M6) at marking holes of panel no. 1 & 3. Insert a Wood Dowel (D4) at the side & nail a Leg Pin (L1) at bottom panel no. 15.



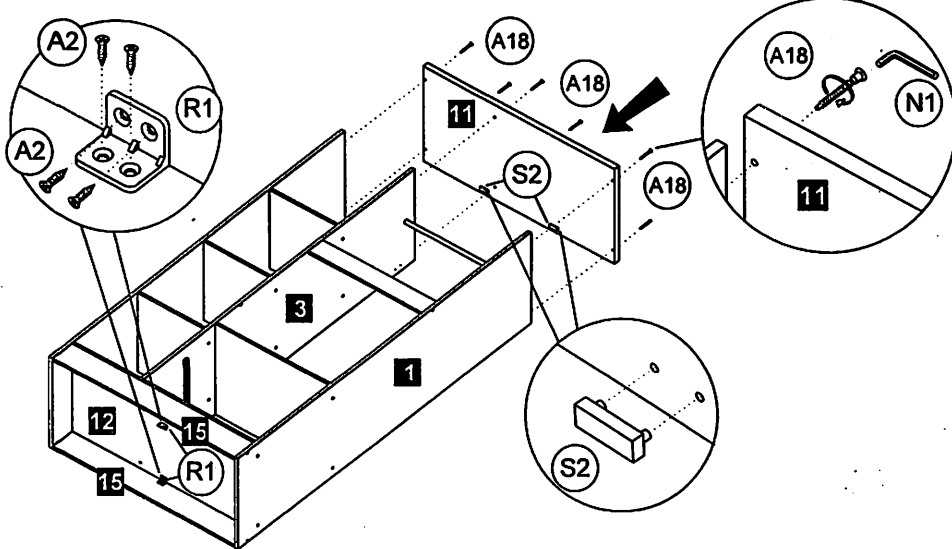
STEP 7 Use Allen Key (N1) to tighten a Crosshead Screw (A17) & button the screw heads with Crosshead Cover (Y) except crosshead screw at panel no. 12.



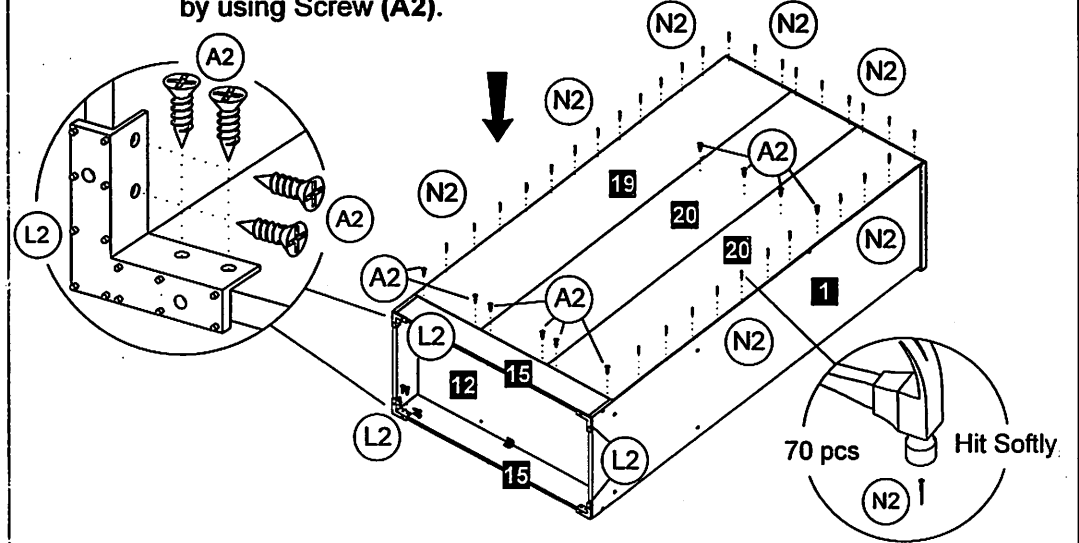
STEP 8 Insert the Hanging Steel Pipe (P) until large marking hole between panel no. 1 & 3. Use Allen Key (N1) to tighten the Crosshead Screw (A17) & button the screw heads with Crosshead Cover (Y).



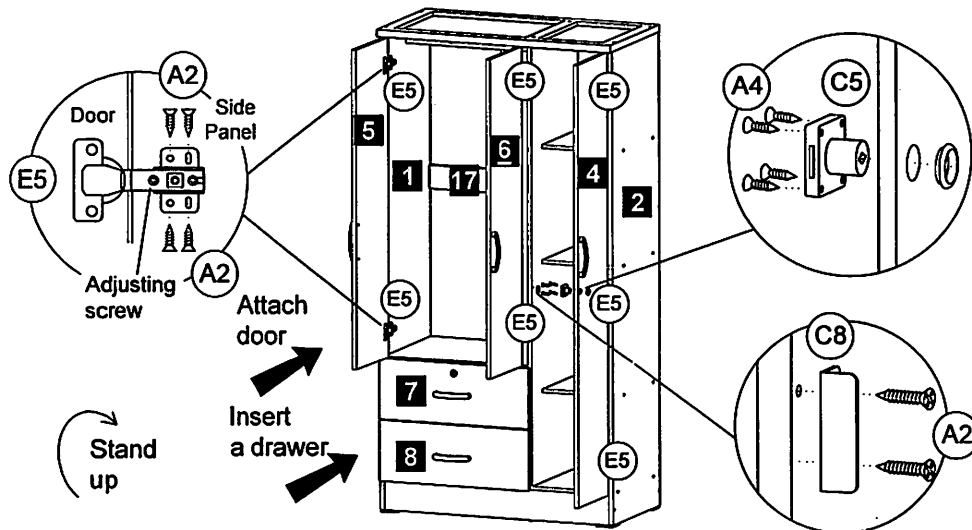
STEP 9 Attach panel no. 11 in right position then screw it with Crosshead Screw (A18) and tighten by Allen Key (N1). Use Screw (A2) to secure L Bracket (R1) at connecting edges of panel no. 12 & 13.



STEP 10 Use Screw (A2) to screw Plastic Leg L Shape (L2) at connecting corner of panel no. 15 & both side panel. Assemble panels no. 19 & 20 with Nail (N2). Secure bottom of back panel and panel no. 12 & 17 by using Screw (A2).



STEP 11 Use Screw (A4) to attach Square Lock Set (C5) at panel no. 4. Use Screw (A2) to attach the Square Lock L Bracket (C8) at panel no. 3. Attach the Door Hinges (E5) of door panel no. 4, 5 & 6 to panel no. 1, 2 & 3 then adjust the hinges screw to ensure the parallel of door gaps.



COMPLETE

