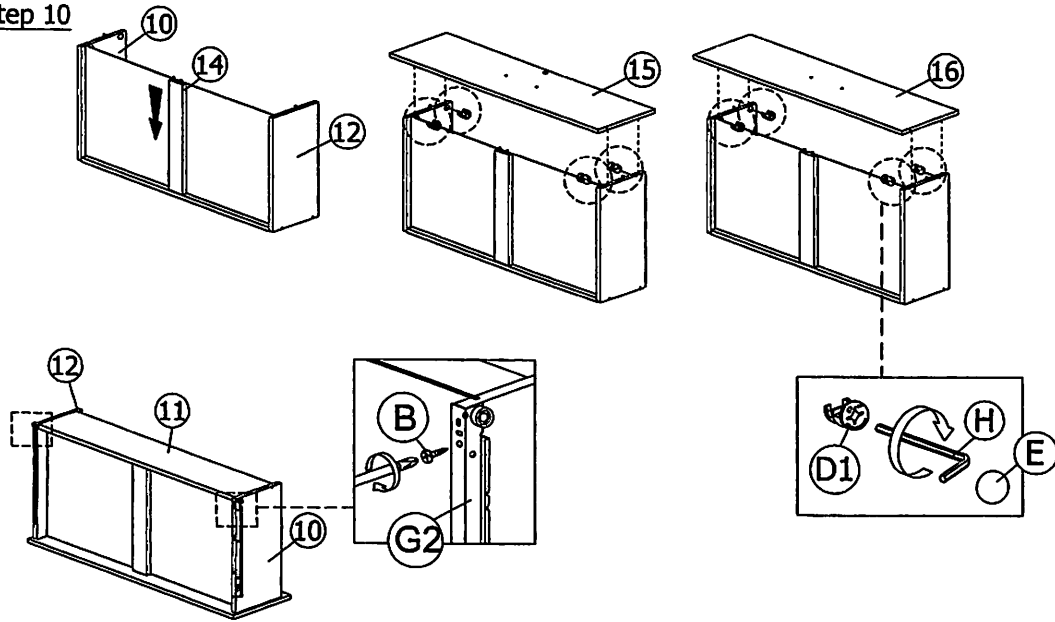


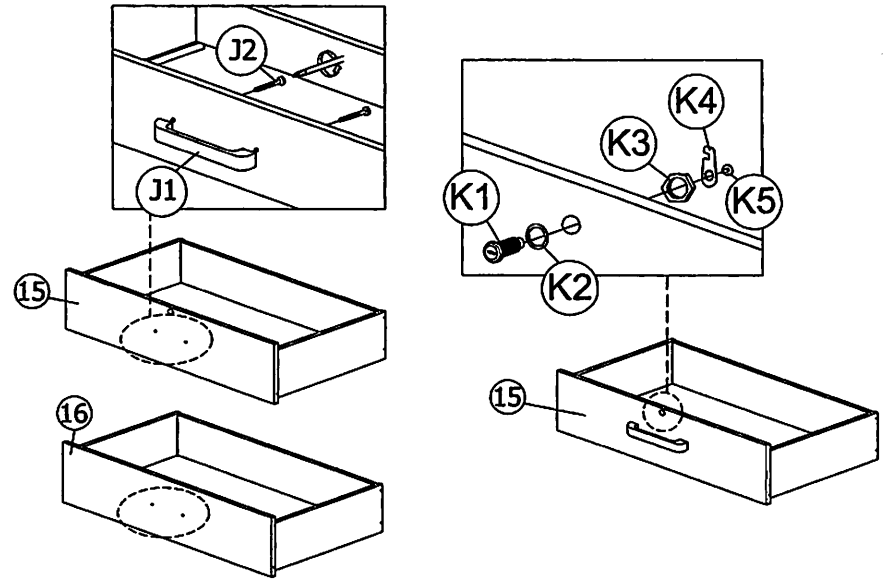
ASSEMBLY INSTRUCTION

MODEL : COD 5936- 4 DRAWERS CHEST WITH 1 LOCK

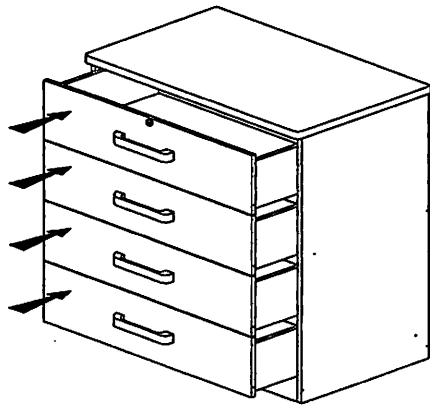
Step 10



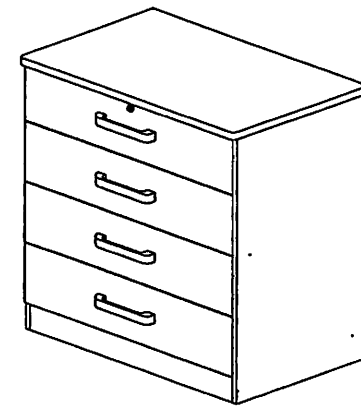
Step 11

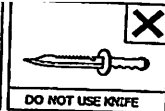
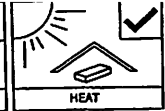
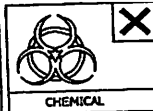


Step 12



Completed

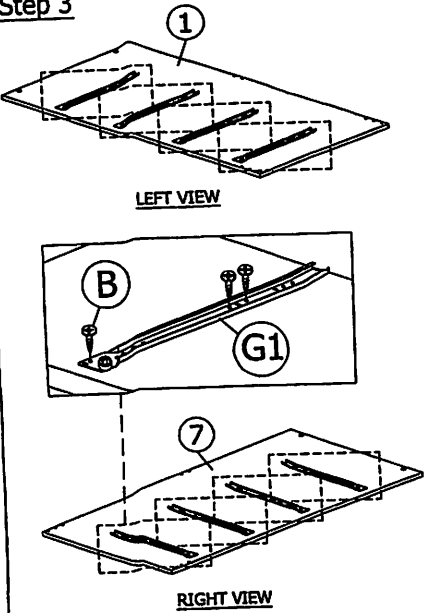




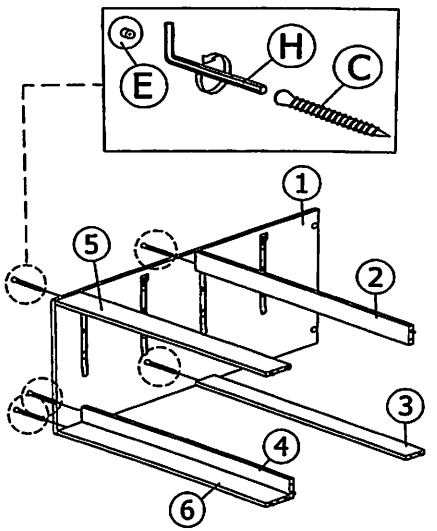
ASSEMBLY INSTRUCTION

MODEL : COD 5936- 4 DRAWERS CHEST WITH 1 LOCK

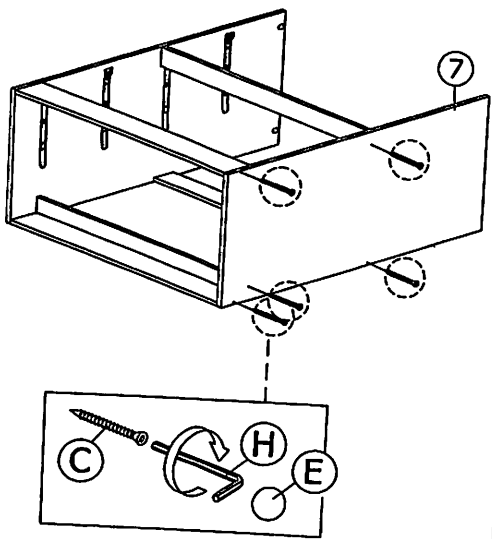
Step 3



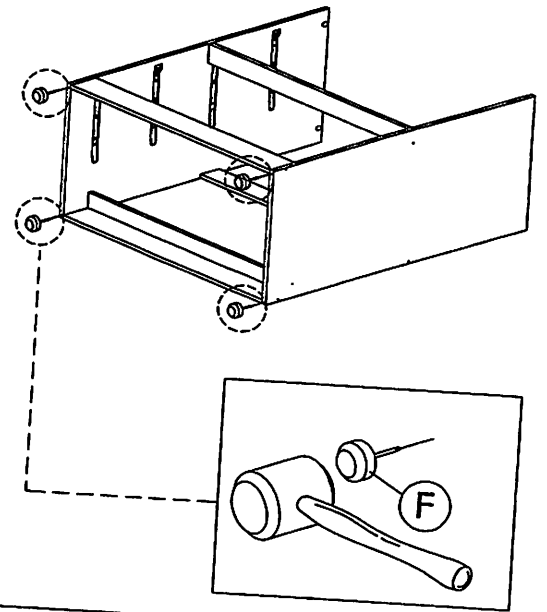
Step 4



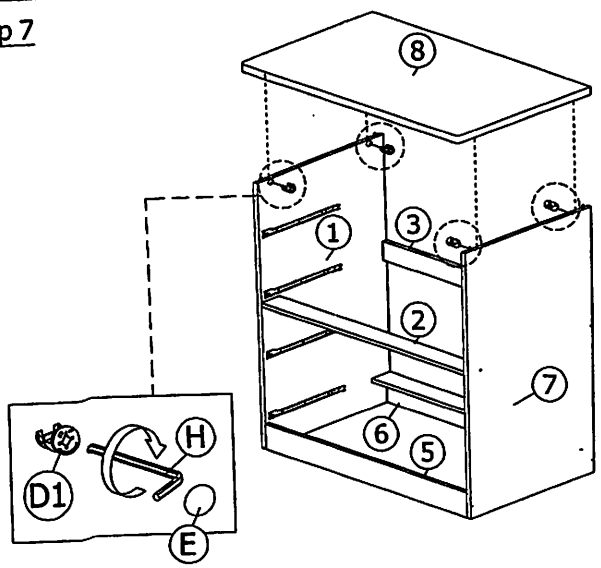
Step 5



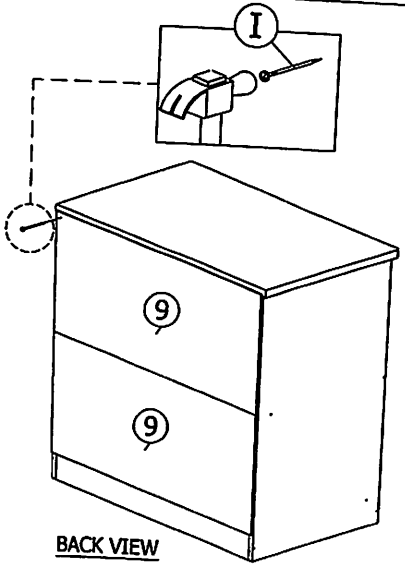
Step 6



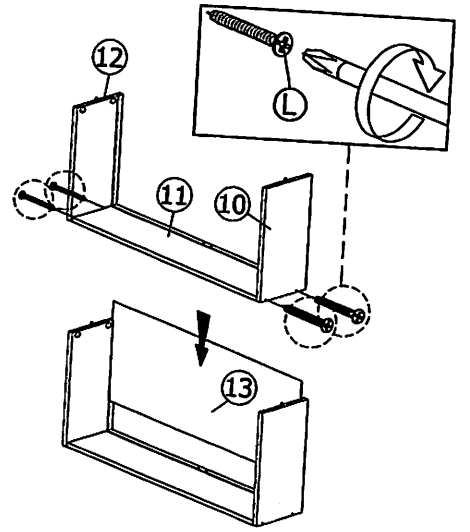
Step 7

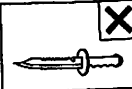


Step 8



Step 9





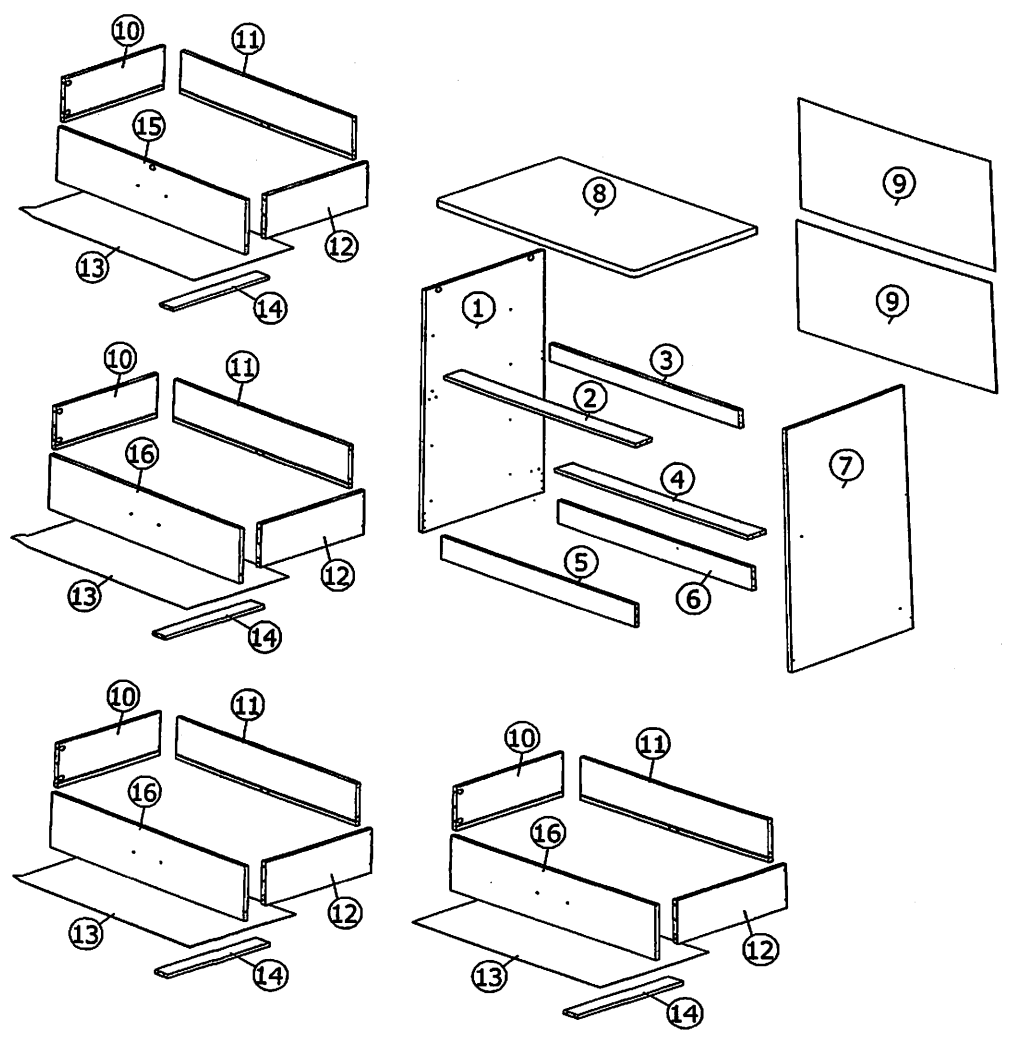
ASSEMBLY INSTRUCTION

MODEL : COD 5936- 4 DRAWERS CHEST WITH 1 LOCK

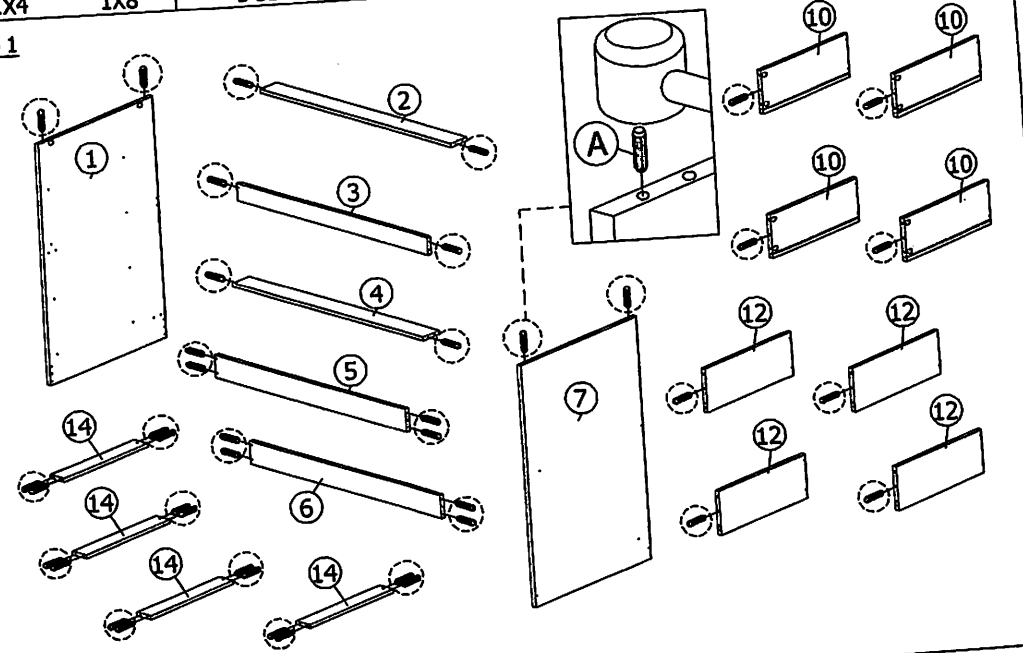
A PLASTIC DOWEL Ø25 1X42	B CS SCREW M3.5X32 1X48	C CSK CAP M4X10 1X10	D D1 D2 MINIFIX 5654 20 SETS	E CAP (M4) 1X30	F PLASTIC PIN 1X4	G G1 G2 DRAWER SLIDE 18" 4 SETS	H ALLEN KEY 1X1	I POWER NAIL 5/8" 1X98
---------------------------------------	--------------------------------------	-----------------------------------	---	------------------------------	--------------------------------	--	------------------------------	-------------------------------------

J J1 HANDLE VSC18 (224MM)-SILVER GREY 1X4	J2 P/H SCREW M4X20/24M 1X8	K K1 K2 K3 K4 K5 CAM LOCK 1 SET	L CS SCREW M4X38 1X16
---	---	---	------------------------------------

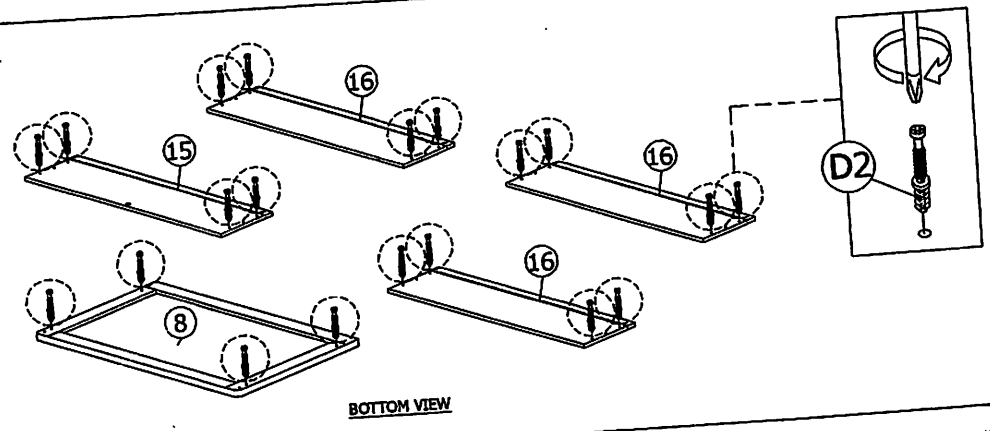
Part List



Step 1



Step 2



BOTTOM VIEW