

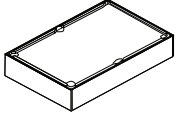
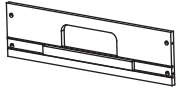
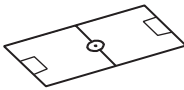
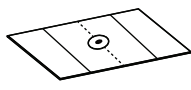
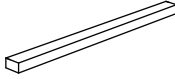
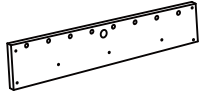
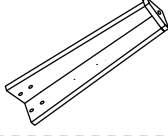
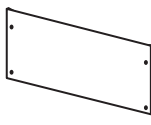






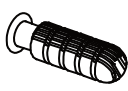
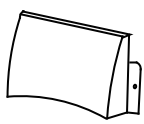

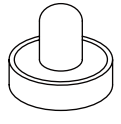


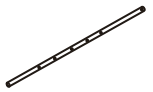
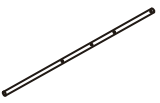
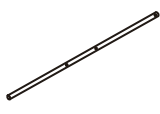


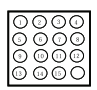

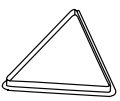
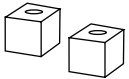
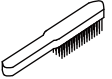




USER'S MANUAL

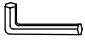
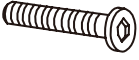

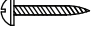
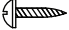
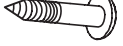

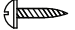
48" 3 in 1 Multi-game Table

SP37328





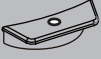
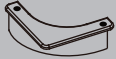

SP37328 PARTS LIST

1  x1 Billiard Mainframe	2  x2 End Apron	3  x1 Soccer Playfield	4  x1 Hockey Playfield
5  x3 Support Brace	6  x2 Side Apron	7  x4 Leg	8  x2 Leg Panel
9  x2 Hockey Goal	10  x13 Player - Red	11  x13 Player - Ivory	12  x16 Rod Washer
13  x16 Foam Bumper	14  x8 Rod End Cap	15  x8 Handle	16  x2 Goal Box-Top
17  x2 Goal Box-Bottom	18  x2 Pusher	19  x2 Felt Pad	20  x1 Round Puck
21  x2 5-Hole Rod	22  x4 3-Hole Rod	23  x2 2-Hole Rod	24  x4 Bottom Locking Clasp
25  x8 Top Locking Clasp	26  x1 Billiard Ball Set	27  x2 Cue	28  x1 Triangle
29  x2 Chalk	30  x1 Brush	31  x2 Soccer Ball	32  x4 Leg Leveler

SP37328 PARTS LIST

<p>A1</p>  <p>x1</p> <p>Allen key</p>	<p>A2</p>  <p>x16</p> <p>1/4" x 1-1/8" Bolt</p>	<p>A3</p>  <p>x16</p> <p>1/4" Washer</p>	<p>A4</p>  <p>x14</p> <p>4x35mm Screw</p>
<p>A5</p>  <p>x12</p> <p>4x12mm Screw</p>	<p>A6</p>  <p>x26</p> <p>3x18mm Screw</p>	<p>A7</p>  <p>x24</p> <p>3x12mm Screw</p>	<p>A8</p>  <p>x8</p> <p>4x15mm Screw</p>

SP37328 PRE-INSTALLED PARTS

<p>P1</p>  <p>x4</p> <p>5/16" T - Nut</p>	<p>P2</p>  <p>x16</p> <p>Plastic Rod Bushing</p>	<p>P3</p>  <p>x2</p> <p>Plastic Ball Entry Rim</p>	<p>P4</p>  <p>x6</p> <p>Pocket</p>
<p>P5</p>  <p>x2</p> <p>Side Pocket Cap</p>	<p>P6</p>  <p>x4</p> <p>Corner Pocket Cap</p>	<p>P7</p>  <p>x16</p> <p>1/4" T - Nut</p>	

ASSEMBLY INSTRUCTIONS:

1. Find a clean, level place to begin the assembly of your Multi Game. The table will be assembled upside down and then turned over on its legs once the assembly is completed. This game table is heavy, and turning it over will require at least two strong adults.
2. Remove all the parts from the box and verify that you have all of the listed parts as shown on the parts list pages. Carefully cut or tear the four corners of the box so that the bottom of the box can be used as your work surface.

①		X 1
⑦		X 4
③③		X 4
Ⓐ①		X 1
Ⓐ②		X 16
Ⓐ③		X 16
Ⓟ①		X 4
Ⓟ④		X 6
Ⓟ⑦		X 16

FIG.1

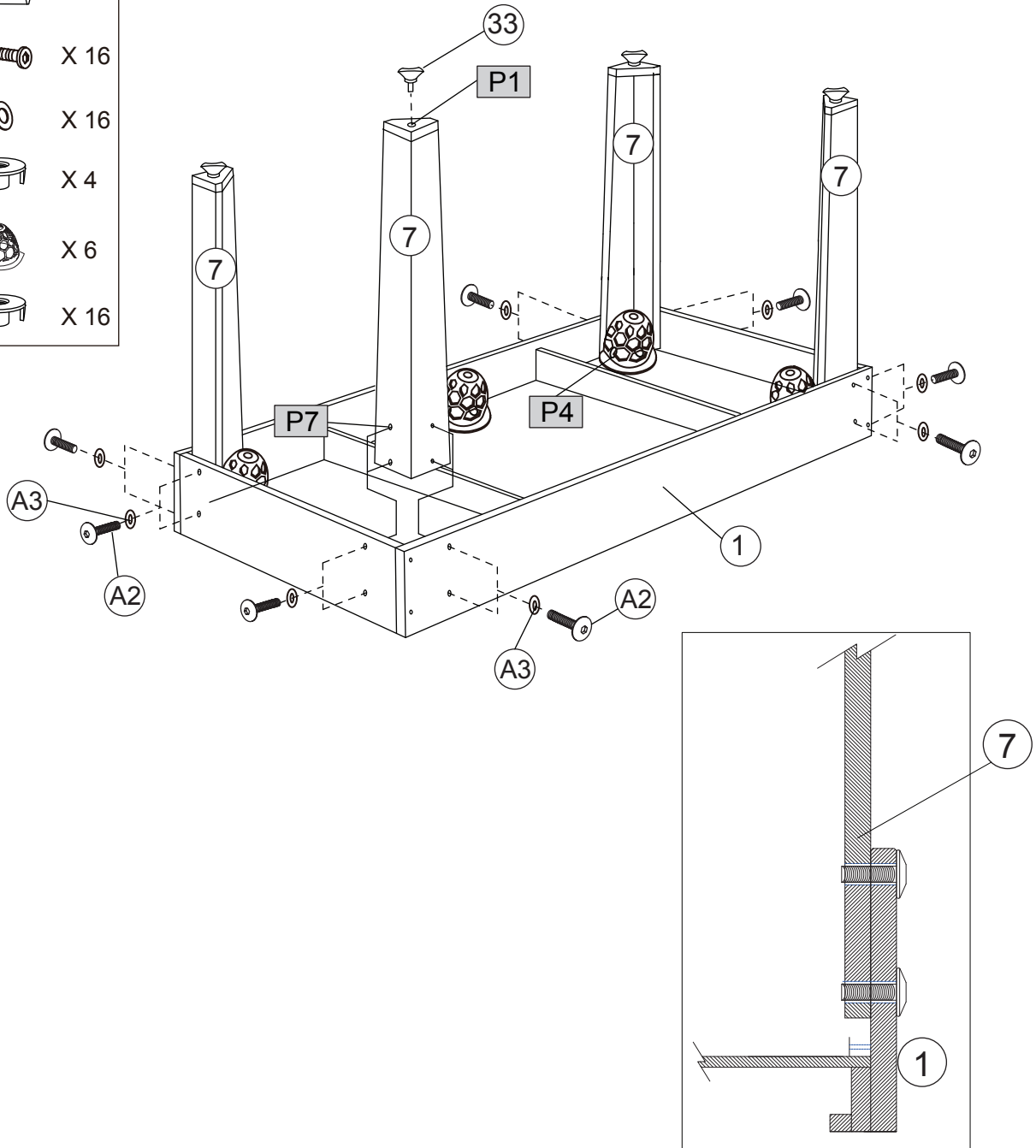






FIG.1

3. Attach the Legs (#7) to the Billiard Mainframe (#1) using four Bolts (#A2) and four Washers (#A3) per Leg.

4. Screw the Leg Levelers (#33) into the bottom of each Leg.

8		X 2
A8		X 8
P5		X 2
P6		X 4

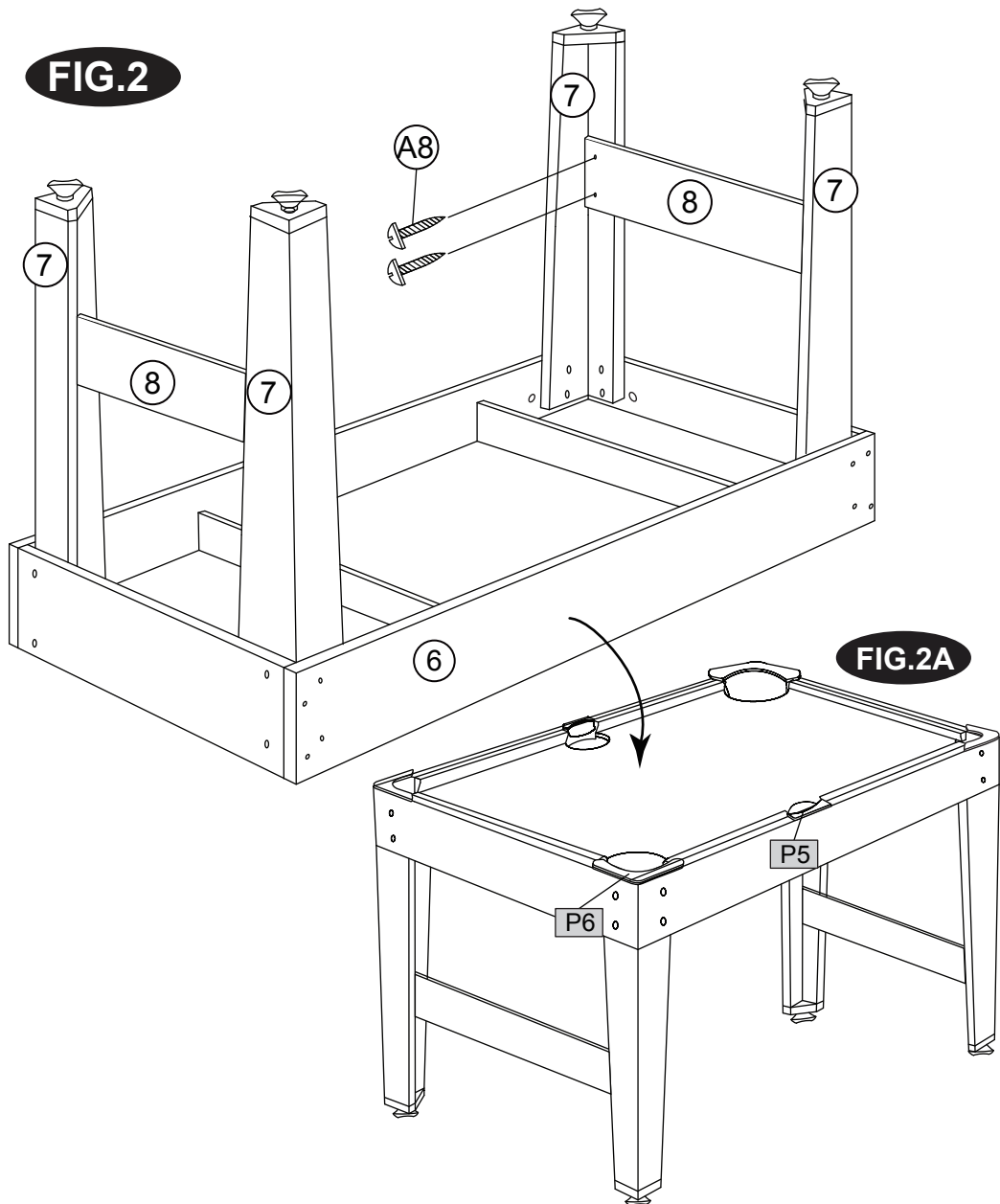
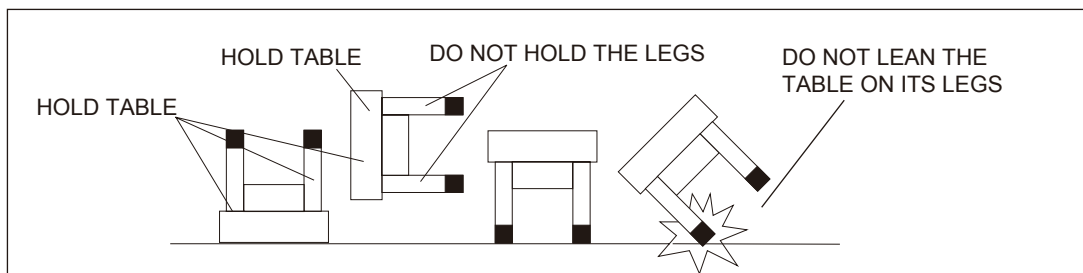


FIG. 2

5. Attach the Leg Panels (#8) to the Legs using four Screws (#A8) per Leg Panel. **See FIG. 2.**

6. Lift the table assembly from the floor with two strong adults, turn it over, and set table on its legs in the location where you play. **See FIG. 2A.**
Go back and make sure that all connections are tight.



CAUTION: Two strong adults are recommended to turn the table over as shown.

1. Lift the table off of the ground.
2. Turn the table over.
3. Place it on all four feet at the same time on the ground.

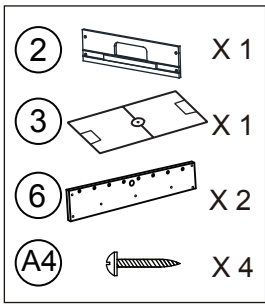


FIG.3

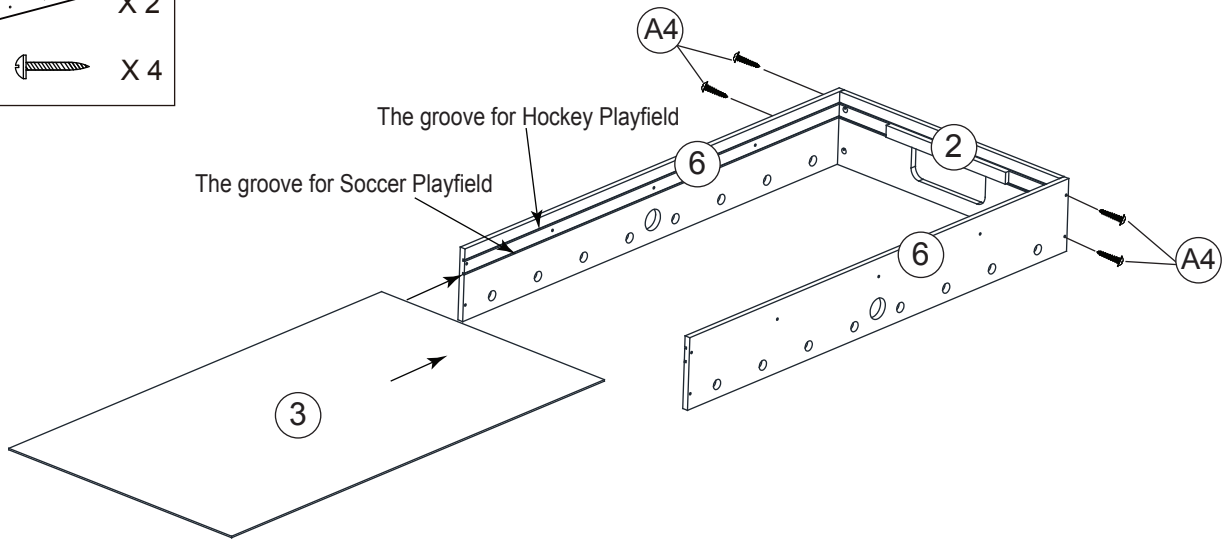


FIG.3

7. Attach two Side Aprons (#6) to the one End Apron (#2) using four Screws (#A4). **See FIG. 3.**

Note: Do not tighten the Screws at this step.

8. Slide the Soccer Playfield (#3) (drawing upside-down) into the grooves of Side and End Aprons (#6 and #2).

Note: Make sure the Soccer Playfield slide into the right groove.

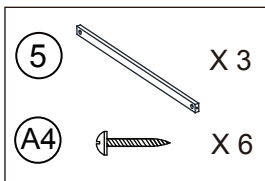


FIG.4

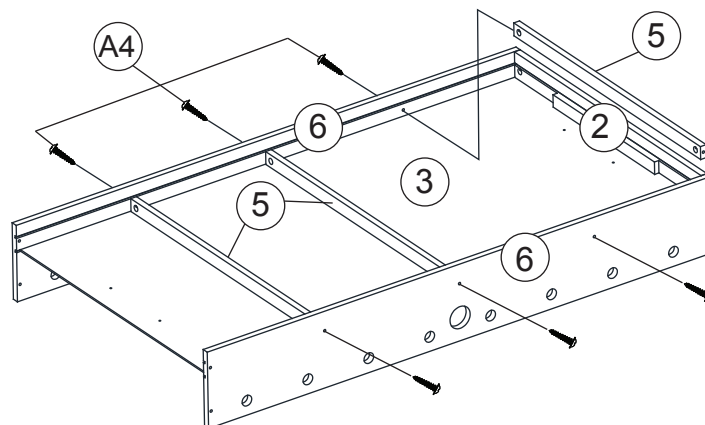


FIG.4

9. Place the Support Braces (#5) on the Soccer Playfield (#3), and then attach them to the Side Aprons (#6) using two Screws (#A4) per Support Brace. **See FIG. 4.**

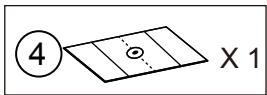


FIG.5

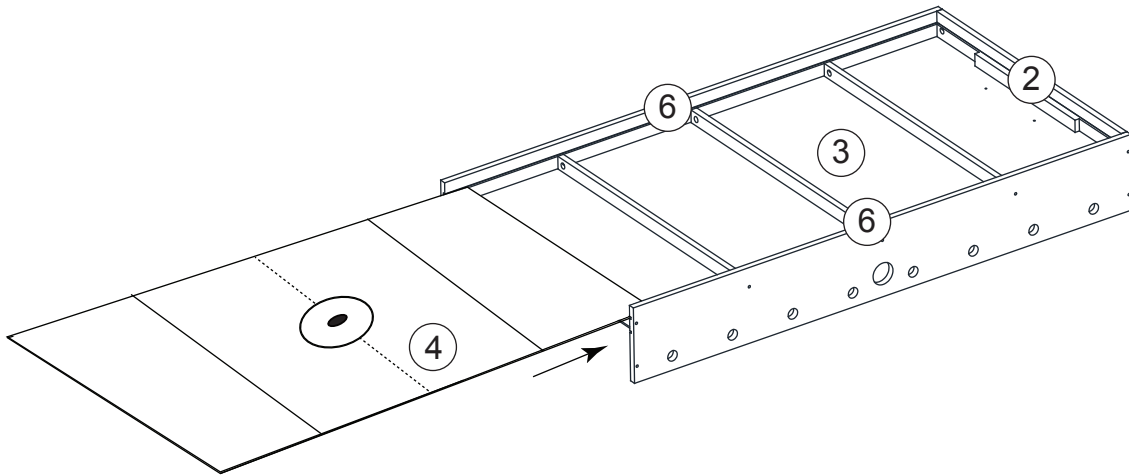


FIG.5

10. Slide the Hockey Playfield (#4), with graphics facing up, into the grooves of Side and End Aprons (#6 & #2).
See FIG. 5.

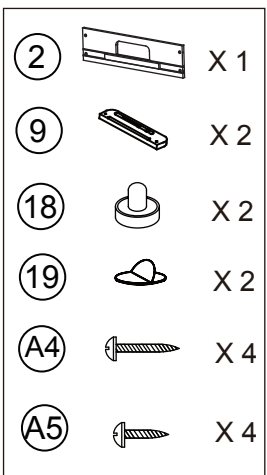


FIG.6

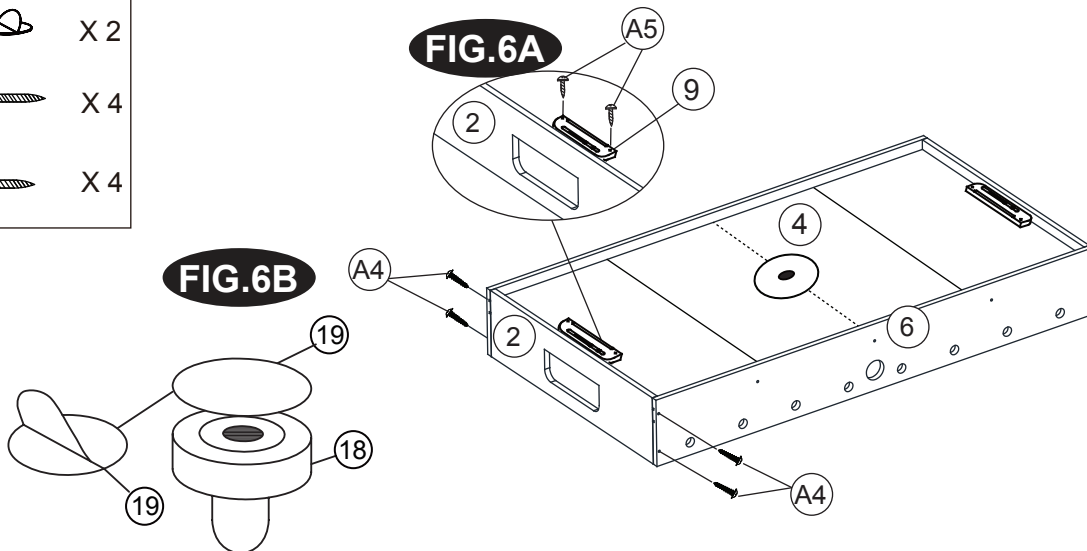


FIG.6

11. Attach the other End Apron (#2) to the Side Aprons (#6) using four Screws(#A4). See FIG. 6.

12. Attach the Hockey Goals (#9) to the Hockey Playfield (#4) using two Screws (#A5) per Hockey Goal.
See FIG. 6A.

13. Tear off the back side papers of the Felt Pads (#19) and stick them at the bottom of the Pushers (#18).
See FIG. 6B.







(16)		X 2
(17)		X 2
(24)		X 4
(25)		X 8
(A5)		X 8
(A7)		X 24

FIG.7

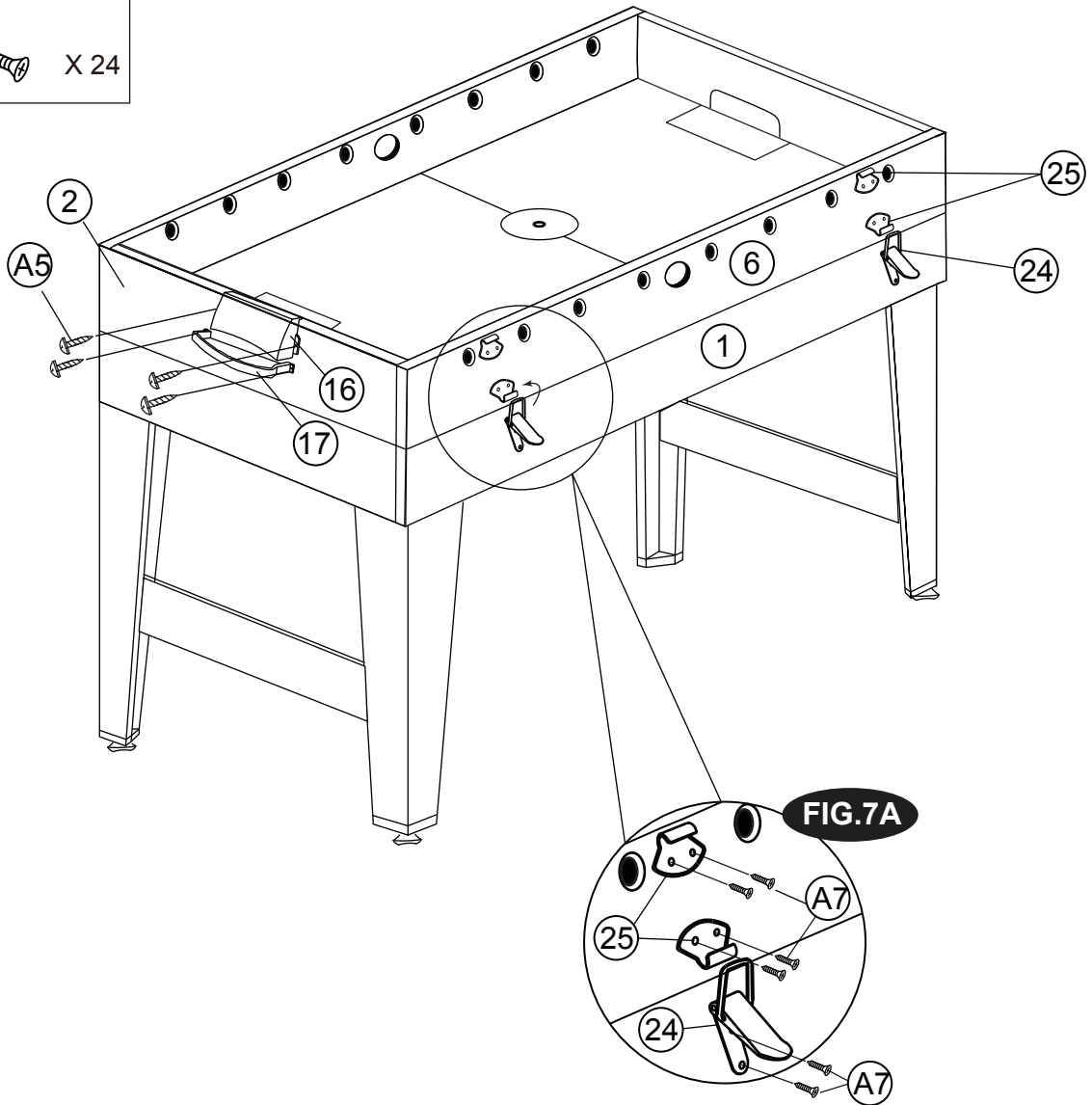
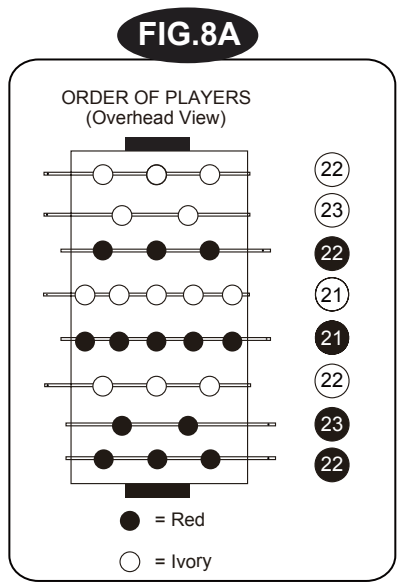
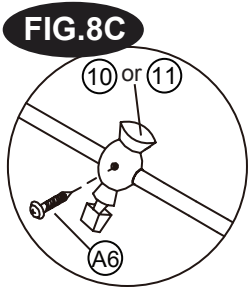
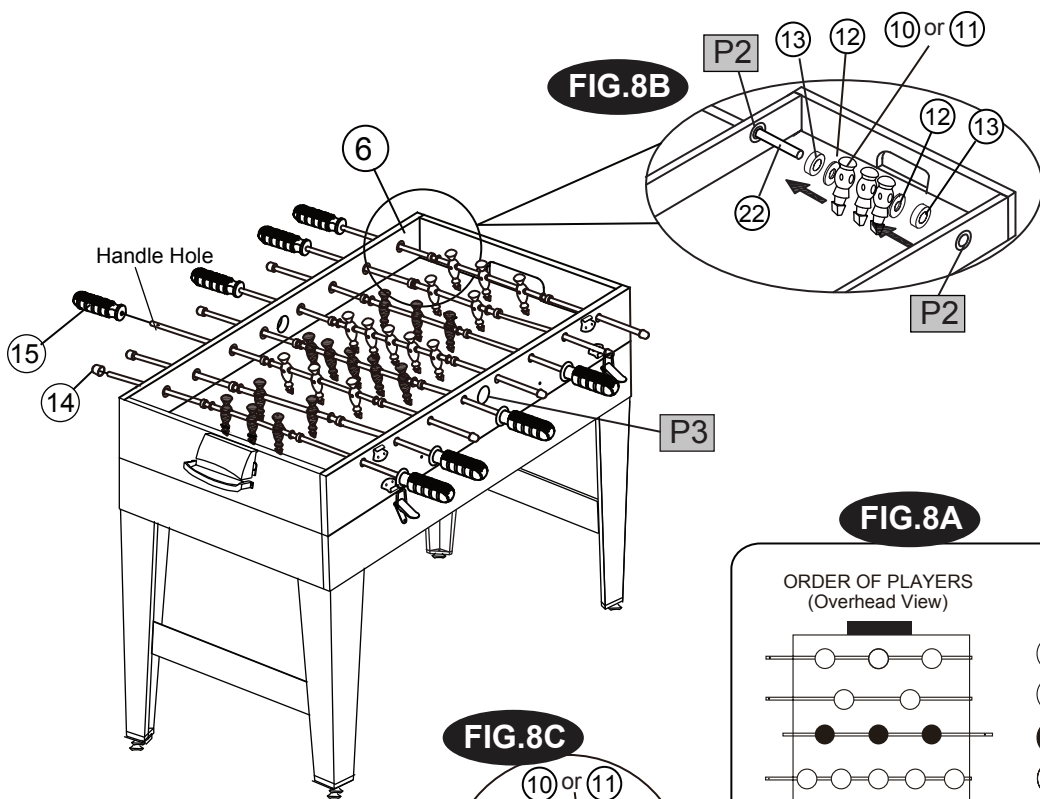


FIG.7

14. Turn the Soccer Table (See FIG. 6) over and then place it on the top of the Billiard Mainframe (#1).
15. Attach the Top and Bottom Goal Boxes (#16 and #17) to the End Aprons (#2) using two Screws (#A5) per Goal Box.
16. Attach the Top Locking Clasps (#25) to the Soccer Side Aprons (#6) using two Screws (#A7) per Top Locking Clasp. Attach the Bottom Locking Clasps (#24) to the Billiard Mainframe (#1) using two Screws (#A7) per Bottom Locking Clasp. See FIG. 7A.

(10)		X 13
(11)		X 13
(12)		X 16
(13)		X 16
(14)		X 8
(15)		X 8
(21)		X 2
(22)		X 4
(23)		X 2
(A6)		X 26
(P2)		X 16
(P3)		X 2

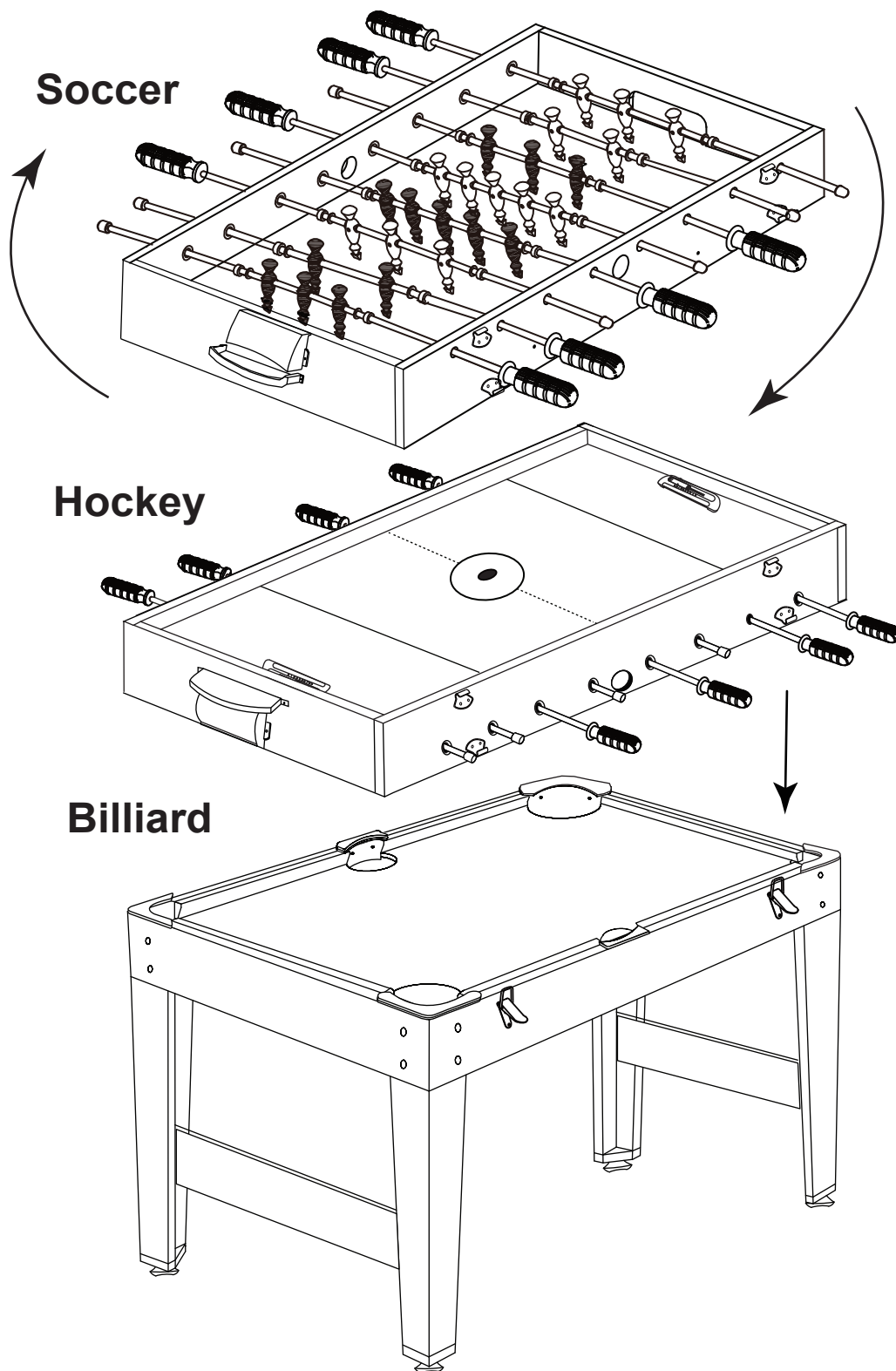
FIG.8



Note: *Players of the same team color should have Handles (#15) on the same side, and each team's players should be facing their opponent.*

FIG.8

- Slide the Rods (#21, #22 and #23) through the Rod Bushings (#P2) on one Side Apron (#6) in the order as shown in Fig. 8A and 8B.
Note: *The Rods have a hole at the end where their Handles will go.*
- Place the Rod Washers (#12), Foam Bumpers (#13) and Players (#10 and #11) onto the Rods (#21, #22 and #23) in the order as shown in Fig. 8, 8A and 8B.
- Now insert the Player Rods (#21, #22 and #23) through the Rod Bushings (P2) on the opposite Side Apron (#6).
- Attach the Players (#10 or #11) to the Rods (#21, #22 and #23) using one Screw (A6) per Player. **See FIG. 8C.**
Note: *The goalie should be at the left side of each player.*
- Place the Handles (#15) onto the ends of the Rods (#21, #22 and #23) with the holes. Then place the Rod End Caps (#14) onto the other side of the Rods. **See FIG. 8.**



DIRECTIONS FOR PLAYING VARIOUS GAMES

- 1) Billiard - Play the game as assembled using the Billiard Ball Set (#26), Cue (#27), Triangle (#28).
- 2) Soccer - Place the Soccer table on the top of the Billiard Frame. Play the game using the Soccer Ball (#31).
- 3) Glide Hockey - Reverse the Soccer table and then place on the top of the Billiard Frame. Play the game using Pushers (#18) and Hover Pucks (#20).

YOU ARE NOW READY TO PLAY!



TIPS:

Your suggestions and comments for Costway are really important to us!

We sincerely solicit you to go back to our shop and leave a good rating in just a simple click. It would be quite encouraging if you could kindly do so like below:

Great products so far

February 24, 2018

Great product so far. Fast delivery, easy setup, and working without any issues.



With your inspiring rating, Costway will be more consistent to offer you EASY SHOPPING EXPERIENCE, GOOD PRODUCTS and EFFICIENT SERVICE!

US office:Fontana UK

office:lpswich

