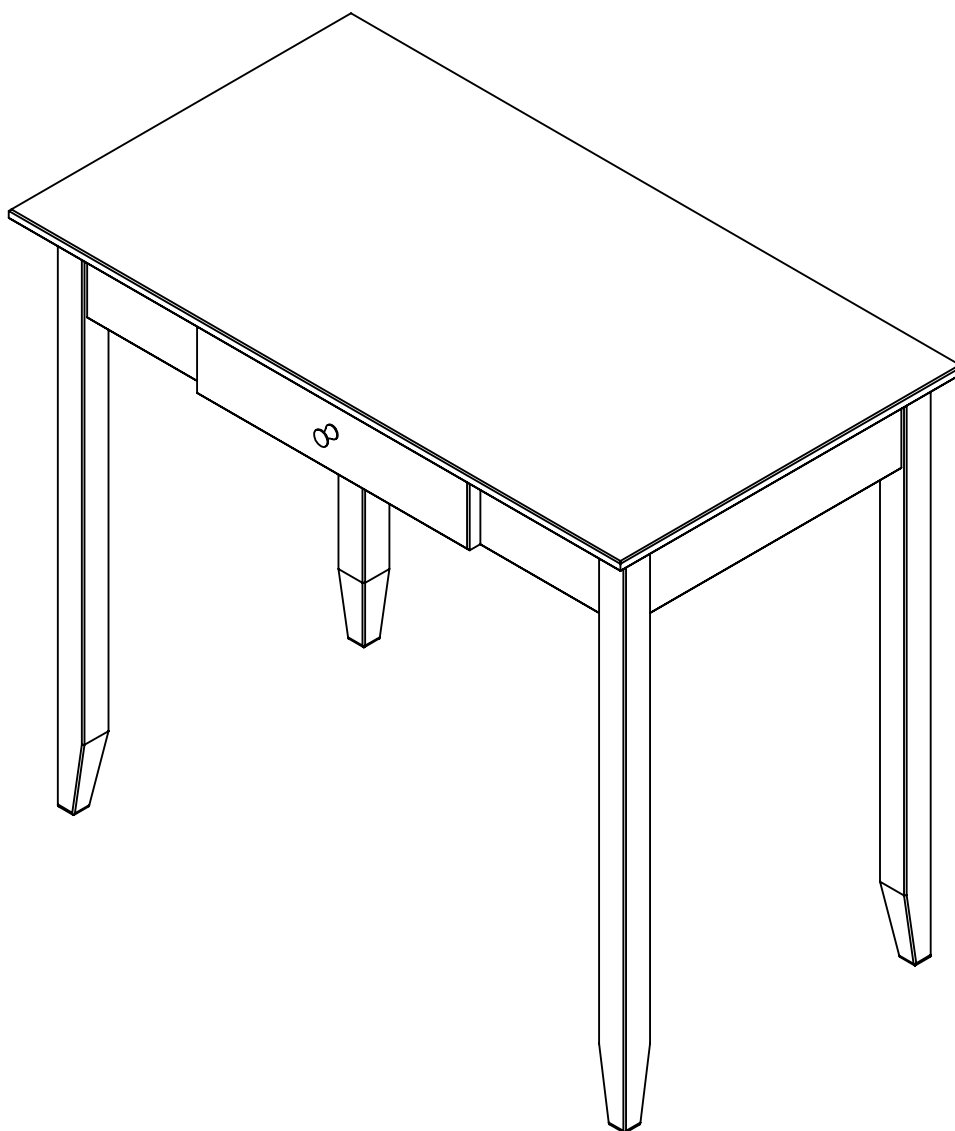

ASSEMBLY INSTRUCTIONS



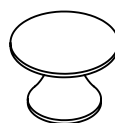
HARDWARE INCLUDED



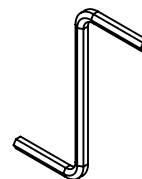
A - 1/4 x 50 Screw
Qty. 8



B - M4 x 25 Screw
Qty. 1

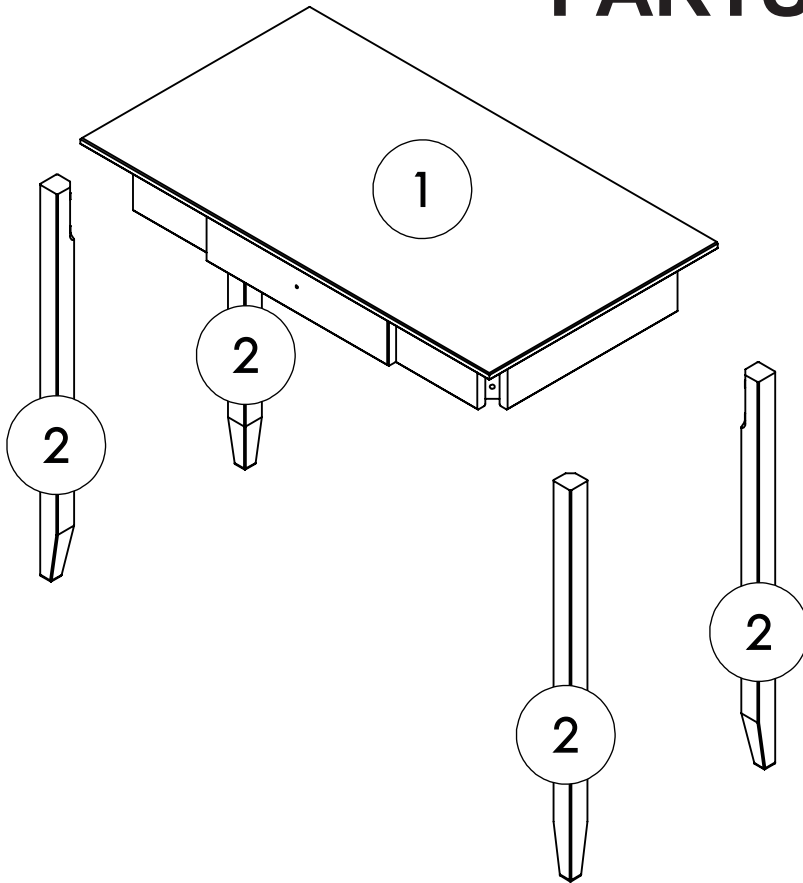


C - Door Knob
Qty. 1

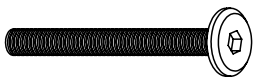


D - Key
Qty. 1

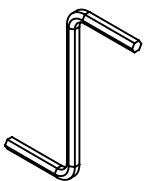
PARTS INCLUDED



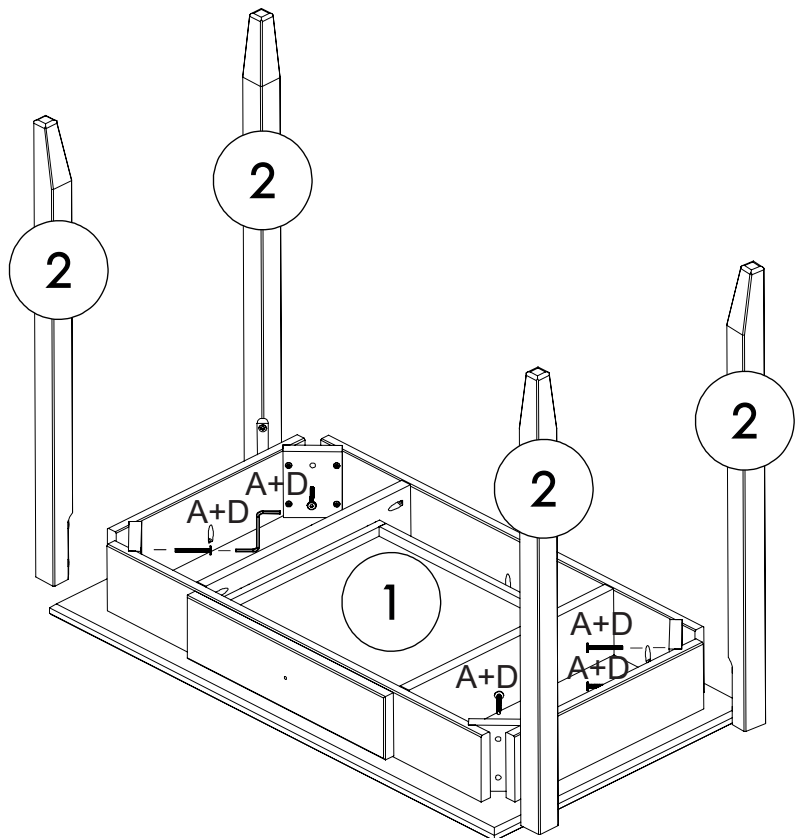
STEP 1



A - 1/4 x 50 Screw
Qty. 8



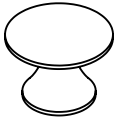
D - Key
Qty. 1



STEP 2



B - M4 x 25 Screw
Qty. 1



C - Door Knob
Qty. 1

