

REPLACEMENT PARTS

Dear Customer,

If you have any questions or issues with your furniture, we will help you.

For fastest service, please contact us via e-mail or phone call, we will ship the parts directly to you free of charge.

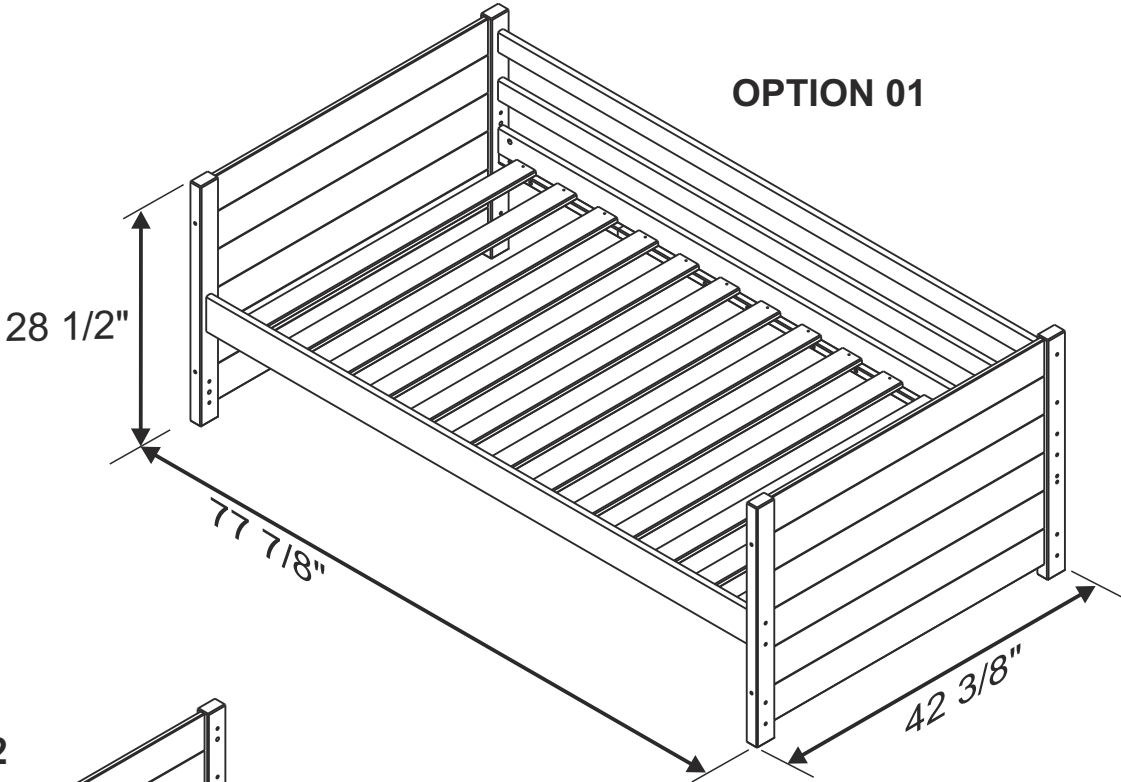
To speak with us:

E-mail: service@themesandrooms.com

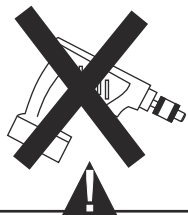
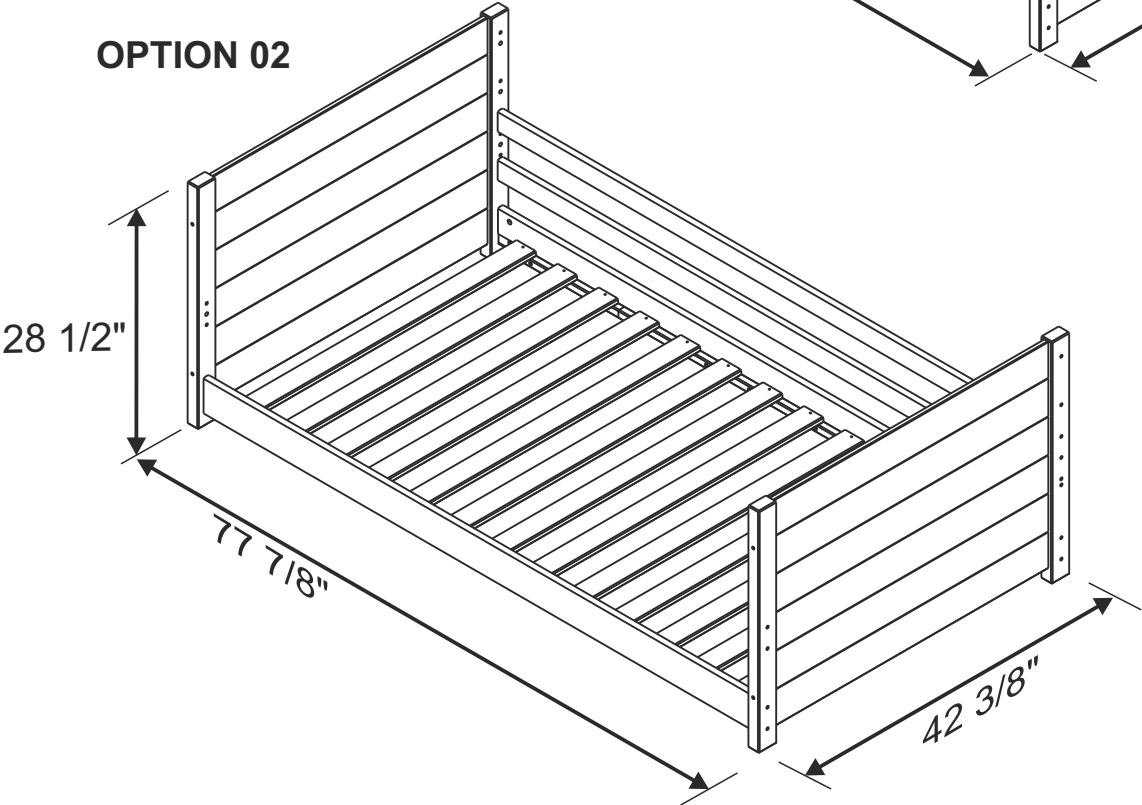
Call.: (866) 966- 6060 - Monday – Friday 9:00 am – 5:00 pm EST

DAY BED TWIN TR1055

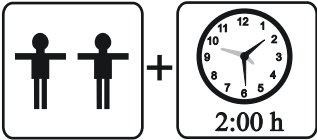
OPTION 01



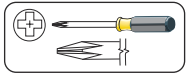
OPTION 02



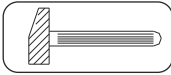
* Use of power tool to assemble this product will invalidate any claim and damage this product making unsafe !!!
* Please assemble on a clean soft surface to avoid damage.



Tools Required

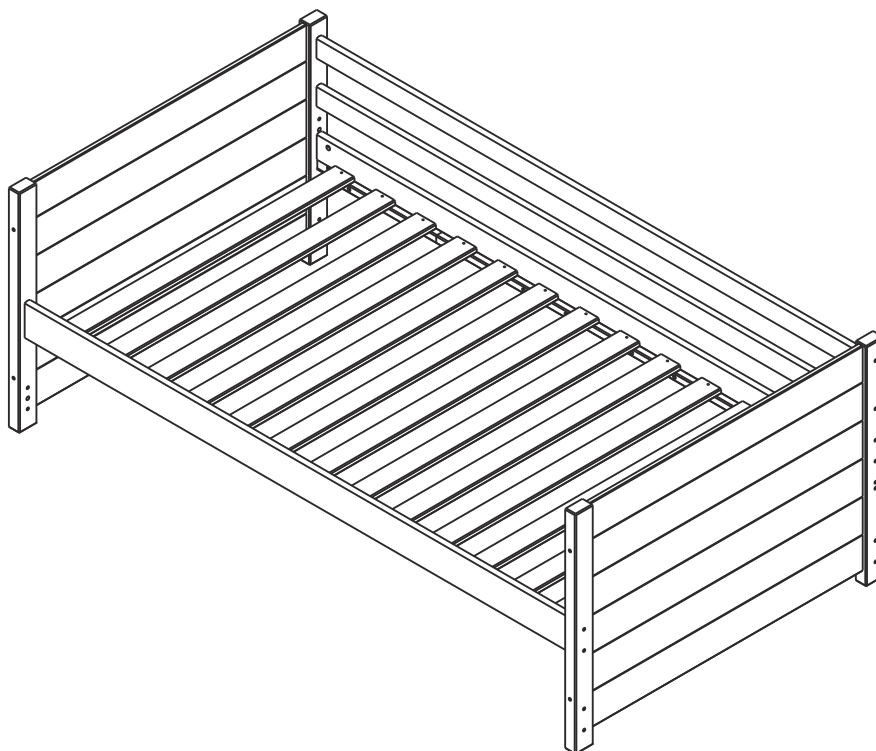


(Not included)

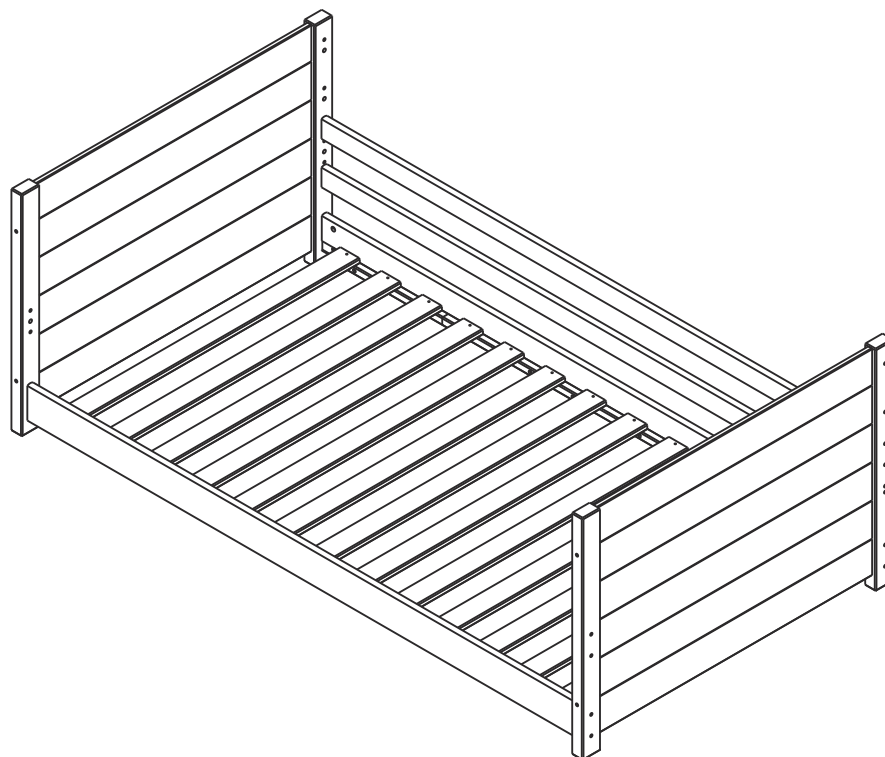


(Not included)

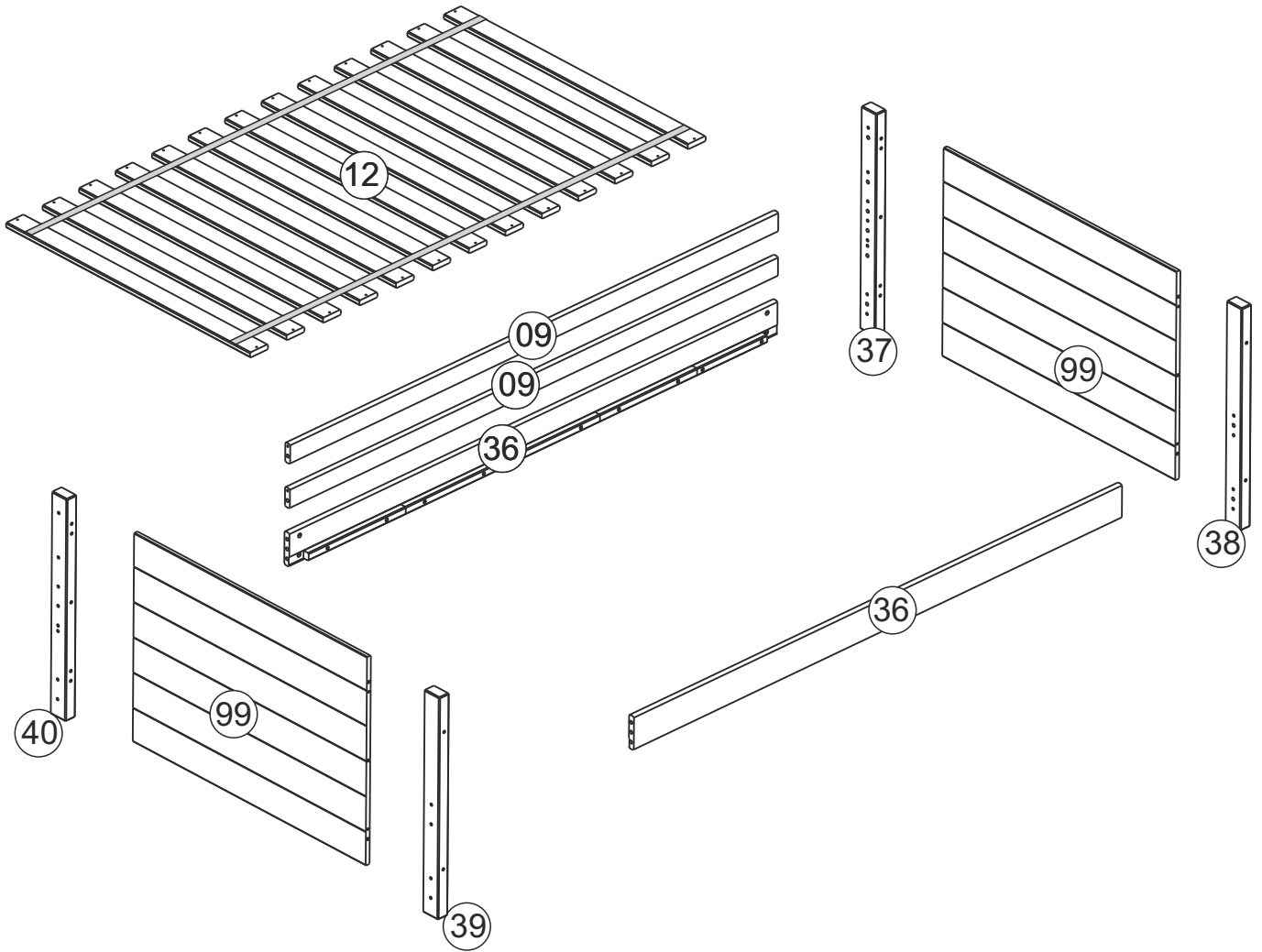
OPTION 01



OPTION 02




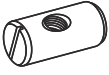


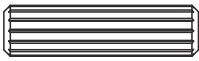

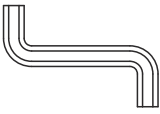

PART LIST

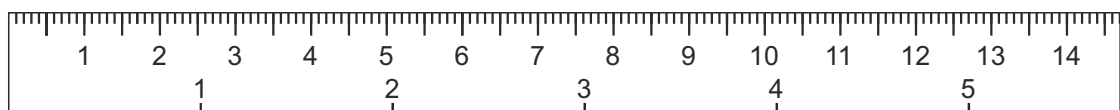


BOX 1/2	BOX 2/2
<p>12 99 2x</p>	<p>09 36 37 38 39 40 2x 2x</p> 

Environmental Responsibility

All wood used in our products comes from reforestation planted areas, without use of native forest.

A		Structural screw Parafuso estrutural Tornillo estructural	1/4 X 90	08
B		Cylindrical nut Porca cilíndrica Tuerca cilíndrica	1/4	08
C		Structural screw Parafuso estrutural Tornillo estructural	7 X 80	04
D		Structural screw Parafuso estrutural Tornillo estructural	7 X 100	08
E		Wooden dowel / Cavilha / Taquete	Ø10 X 40	08
F		Flat head screw Parafuso cabeça chata Tornillo de cabeza plana	4,0 X 30	26
G		Allen key / Chave allen / Liave allen		01
H		Wooden dowel / Cavilha / Taquete	Ø8 X 40	12



01

E



10 x 40

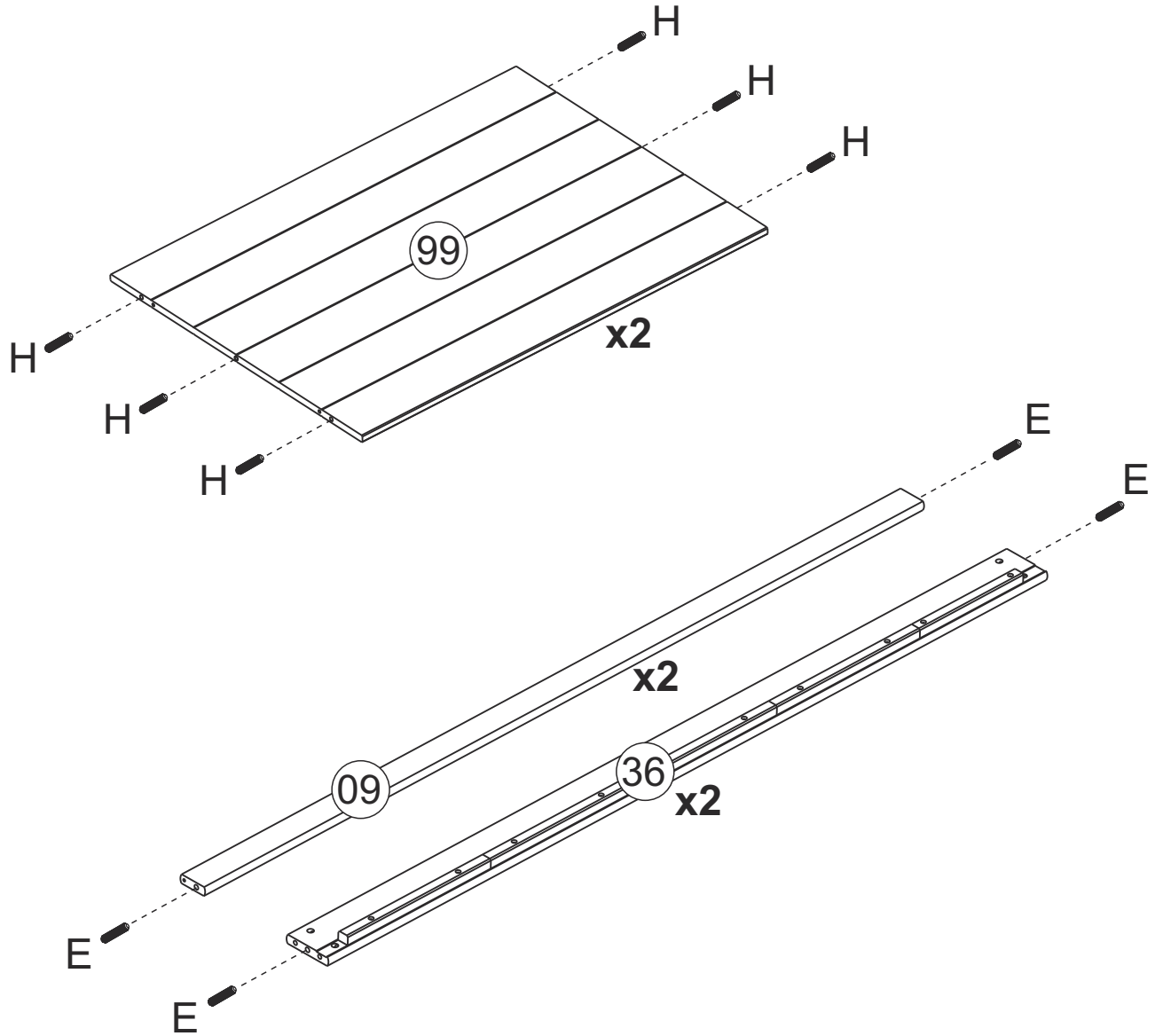
08

H



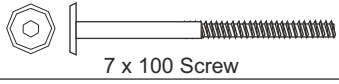
8 x 40

12



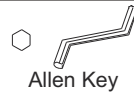
02

D

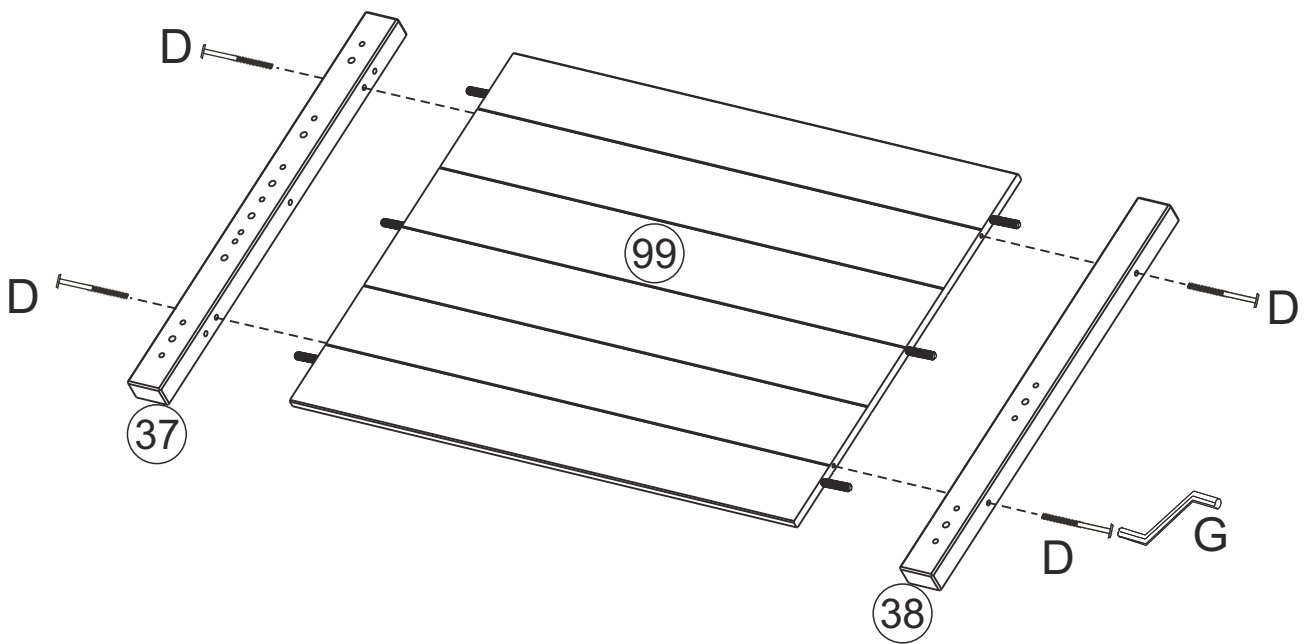
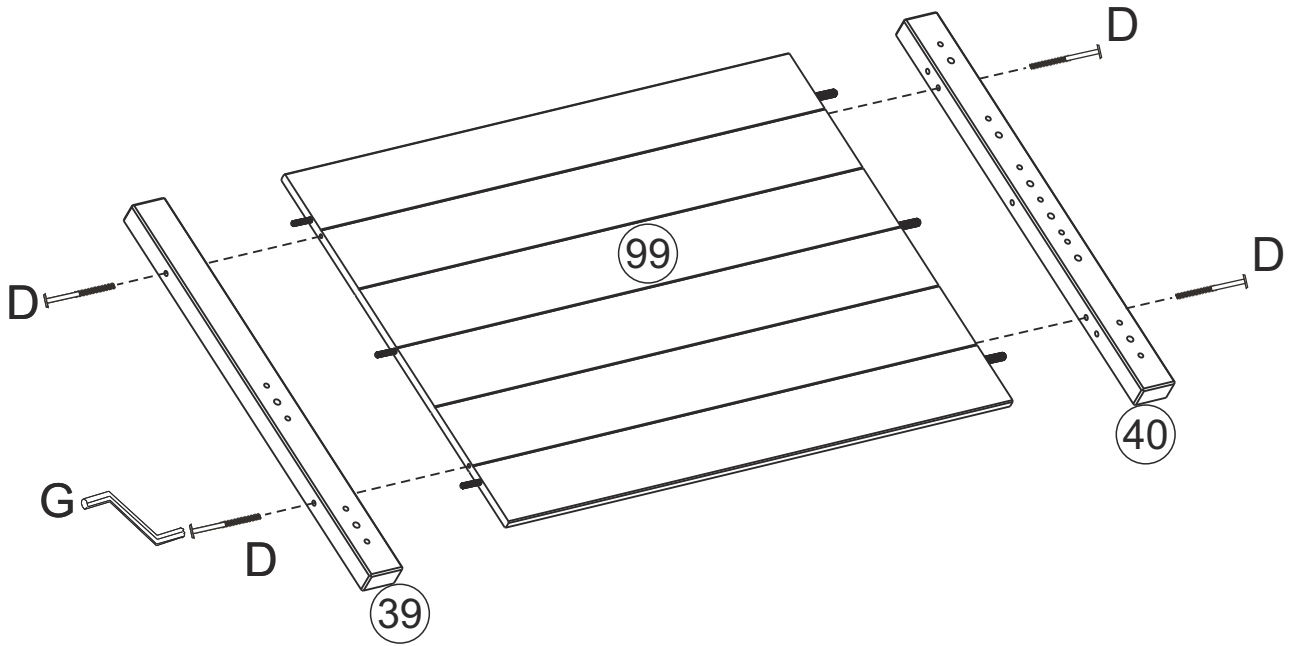


08

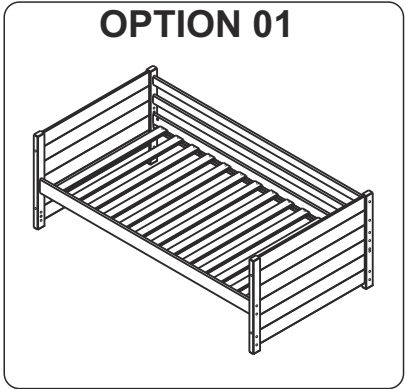
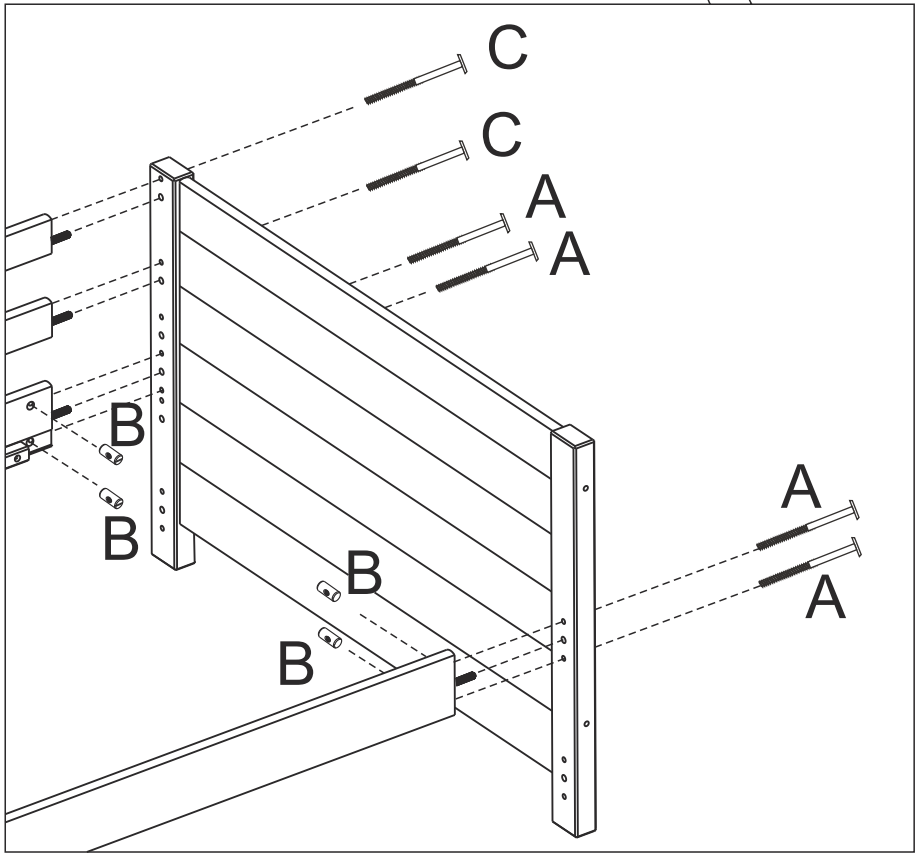
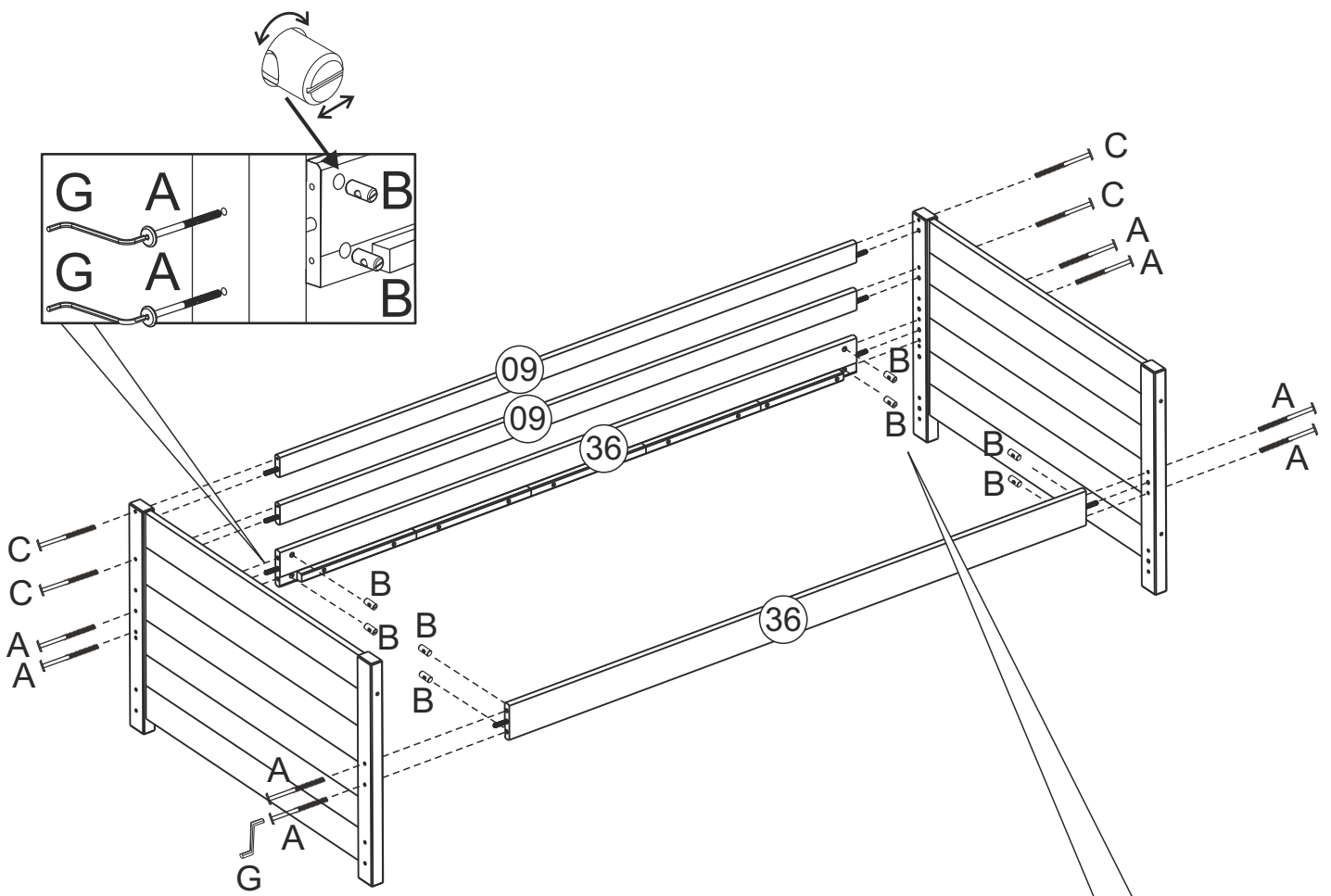
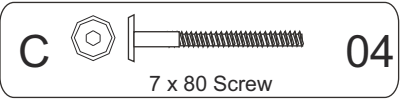
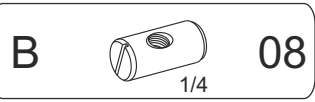
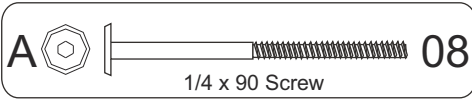
G



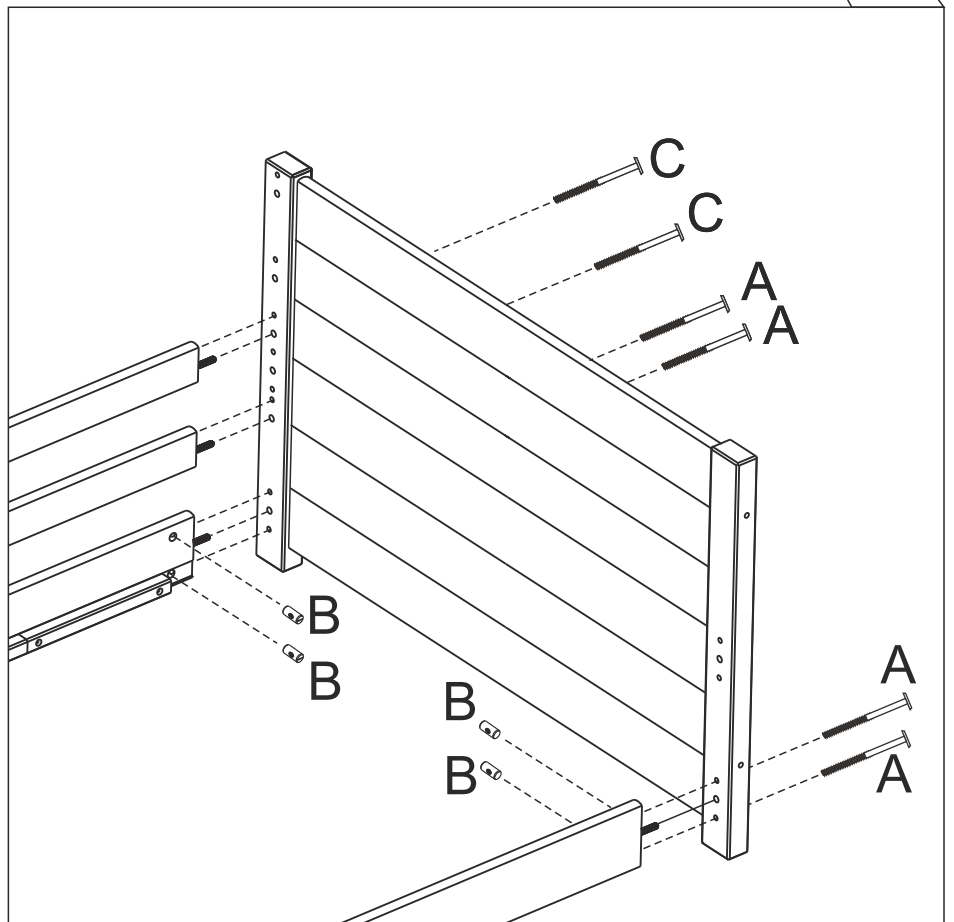
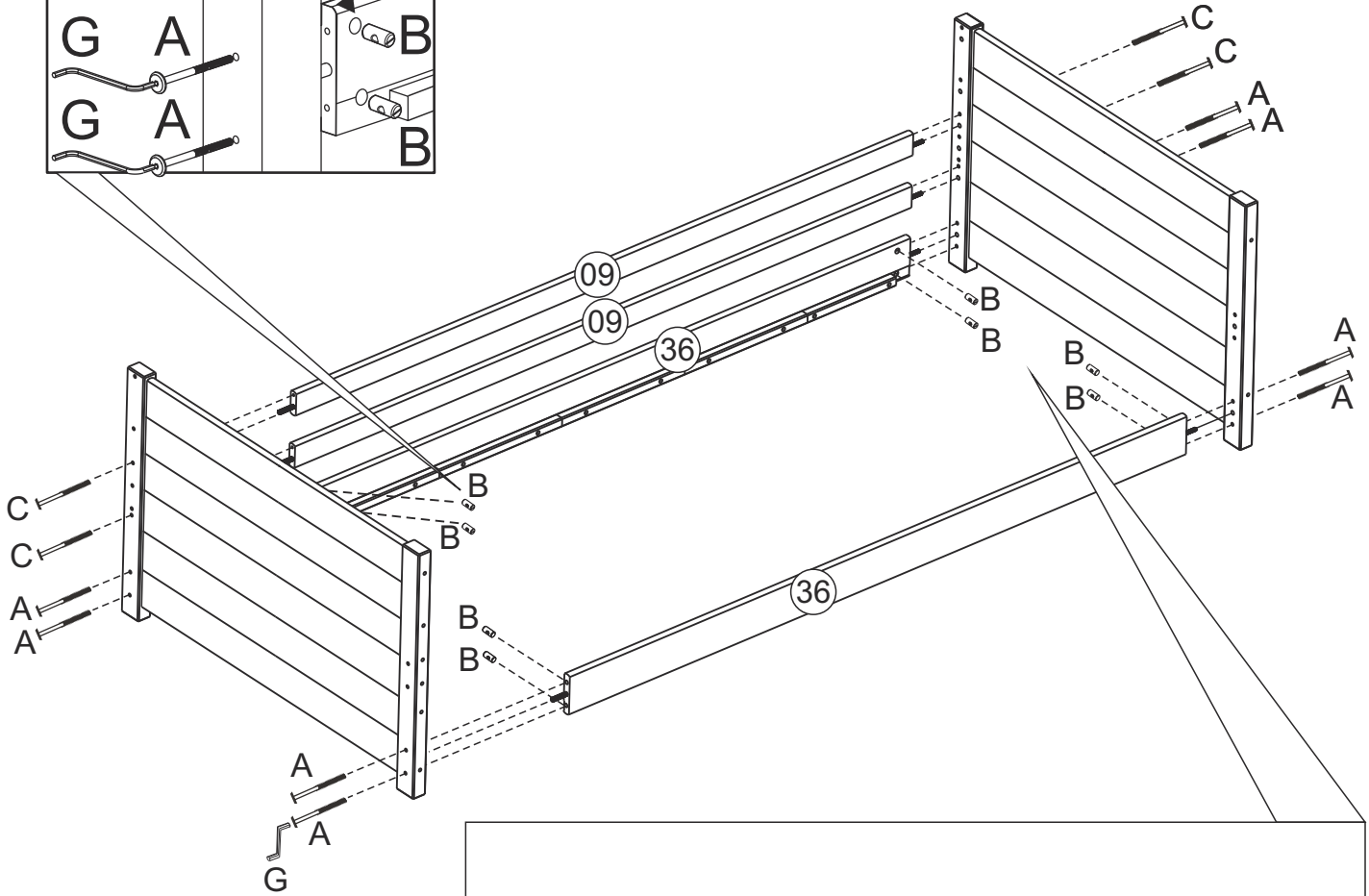
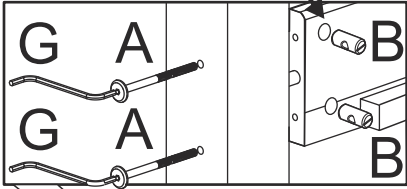
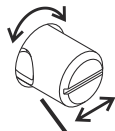
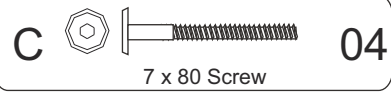
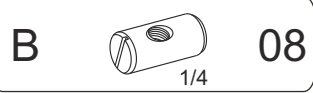
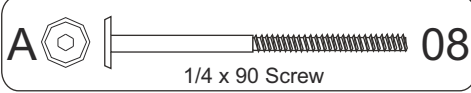
01



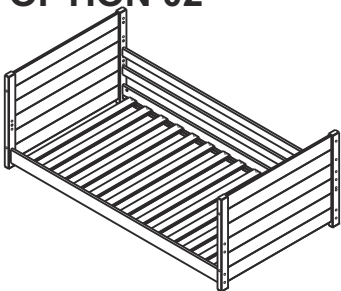
03



04



OPTION 02



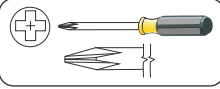
05

F



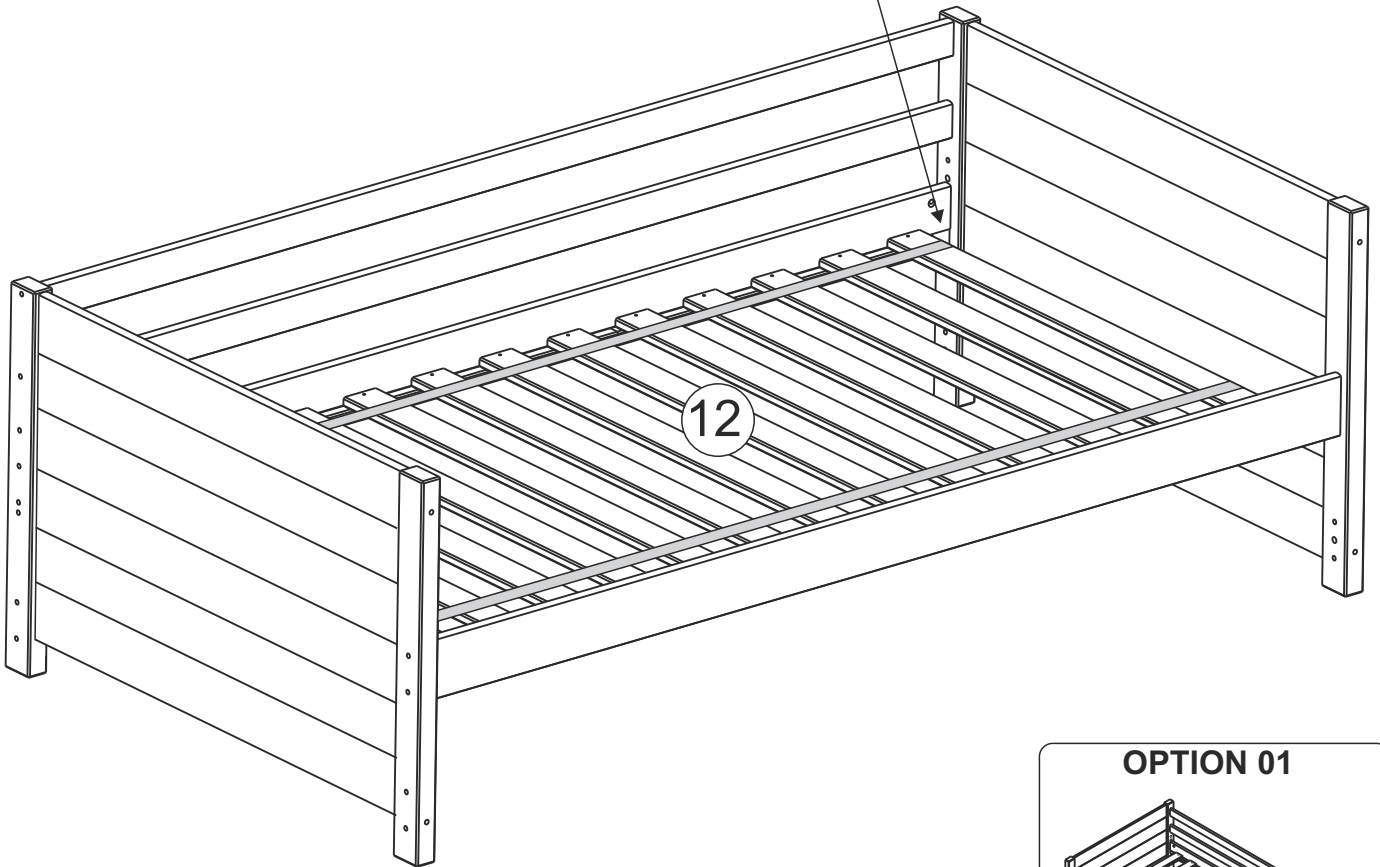
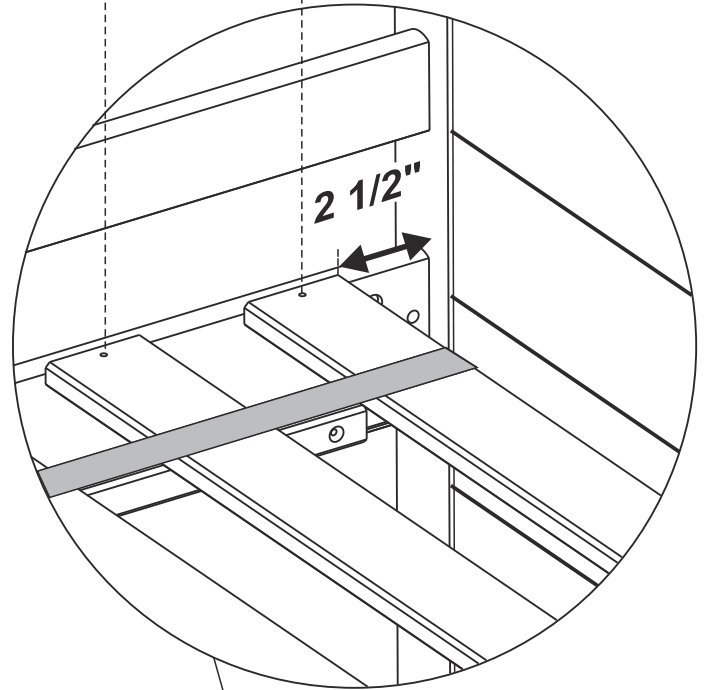
4.0 x 30 Screw

26



2 1/2"

!
The first slat must ser fixed here at 2 1/2" each headboard end.



OPTION 01

