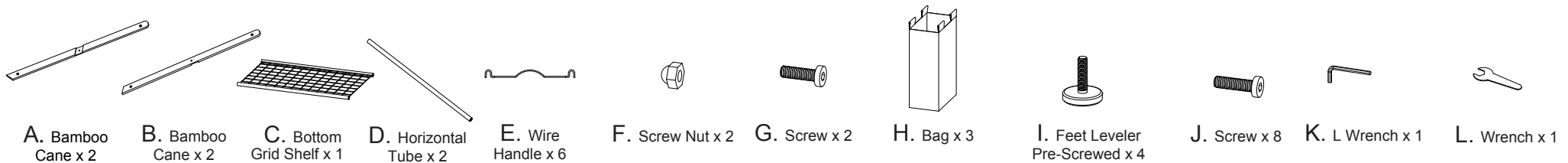
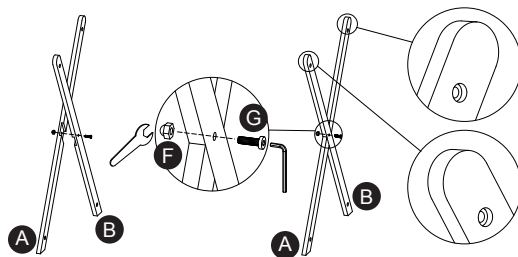


## 3-Bag Bamboo Laundry Sorter

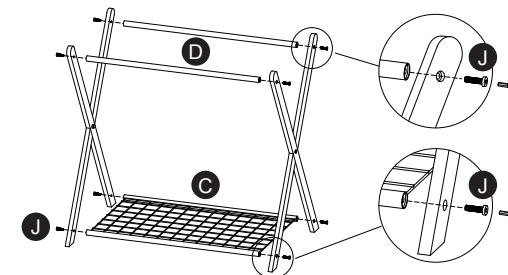
### Package Contents



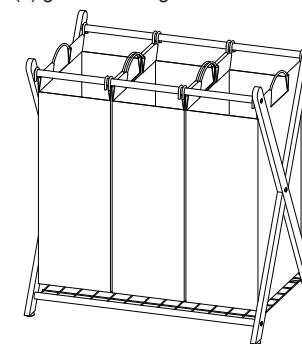
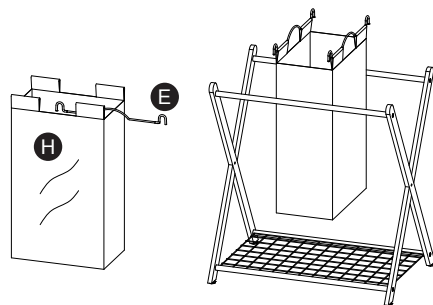
### Assembly Instructions



**STEP 1.** Use screw nut (F) and screw (G) to connect bamboo canes (A) and (B) to form an X Shape. Use wrench (L) to tighten. (Make sure screw nut (F) is on the same side with the smaller hole on the cane and NOT the big hole).



**STEP 2.** Keep the X bamboo canes standing up. Use screws (J) to connect the grid shelf (C) onto the bottom holes of the X canes. Use screws (J) to connect the horizontal tubes (D) onto the top holes of the X canes. Use wrench (K) to tighten all the screws. (Make sure screw (J) goes in through the side with the bigger hole on the X cane).



**STEP 3.** Insert wire handles (E) through the bag loops (H) and place onto the horizontal tube (D).

### Safety Information

1. Two adults are recommended for ease of assembly. Use care when handling.
2. Assembly recommended on a soft surface, such as carpet, to avoid scratching flooring finish.
3. Discard the black circular plastic pieces. These are used to separate the shelves for shipping purpose.



**CAUTION:** Do not allow children to climb or play in or around the shelves.