

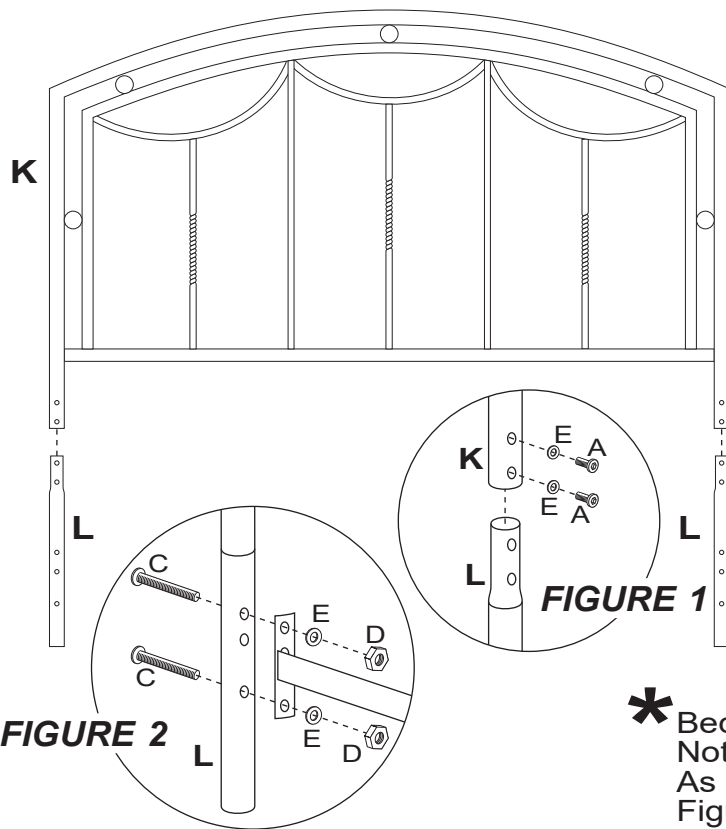
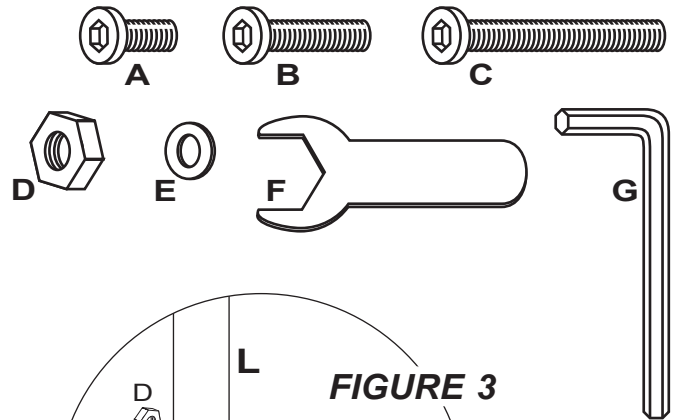
Examine all packaging material for small parts that may have come loose during shipment. Periodic checks are recommended to insure that all components are in proper position, tight and free from damage. Keep this assembly instruction for future reference. Adult assembly is required. The product of Hillsdale Furniture, LLC is designed for residential use only. Customer Service Phone Number: 502-562-0000

HARDWARE LIST

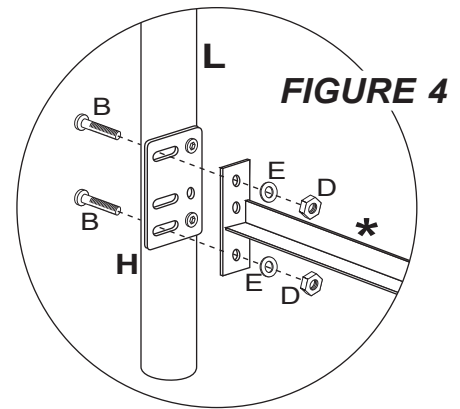
- A (4) Allen Bolts 1/4" x 1/2"
- B (4) Allen Bolts 1/4" x 1"
- C (4) Allen Bolts 1/4" x 2"
- D (8) Hex Nuts 1/4"
- E (12) Flat Washers 1/4"
- F (1) Hex Wrench
- G (1) Allen Wrench
- H (2) Adapter Plates

PARTS LIST

- K (1) Headboard
- L (2) Leg Extensions



***** Bed Frame
Not Included
As Shown In
Figures 2 & 4.



STEP 1 - Figure 1

Begin assembly by attaching each Leg Extension (K) to the bottom of each post on the Headboard (K) by firmly fitting in place. Secure each using 1 Allen Bolt (A) & 1 Flat Washer (E). Tighten all bolts using the Allen Wrench (G) that has been provided.

STEP 2 - Figure 2 - Queen Size Only

Next, attach the Bed Frame (*Not Included) to each Leg Extension (L) using 2 Allen Bolts (C) from the backside, 2 Flat Washers (E) & 2 Hex Nuts (D) per each post. Tighten all bolts using the Allen & Hex Wrenches (F & G) that have been provided. The assembly is now complete.

STEP 3 - Figure 3 - Full Size Only

Attach each Adapter Plate (H) to each Leg Extension (L) using 2 Allen Bolts (C), 2 Flat Washers (E) & 2 Hex Nuts (D) per each side. Tighten all bolts and nuts.

STEP 4 - Figure 4 - Full Size Only

Next, attach the Bed Frame (*Not Included) to each Adapter Plate (H) using 2 Allen Bolts (B) from the outside and 2 Flat Washers (E) & 2 Hex Nuts (D) per each inside. Tighten all bolts and nuts. The assembly is now complete.