



FLEUR DE LIS SWIVEL STOOLS

Model #62969 Wood Swivel Counter Stool

Model #62970 Wood Swivel Bar Stool

Date: 02-02-06

Examine all packaging material for small parts that may have come loose during shipment. Periodic checks are recommended to insure that all components are in proper position, tight and free from damage. Keep this assembly instruction for future reference. Adult assembly required. Online Parts Request: parts.request@hillsdalefurniture.com - Customer Service Phone Number: 502-562-0000

HARDWARE LIST

- A (4) Allen Bolts
- B (4) Spring Washers
- C (4) Flat Washers
- D (1) Allen Wrench

PARTS LIST

- E (1) Stool Top
- F (1) Stool Base

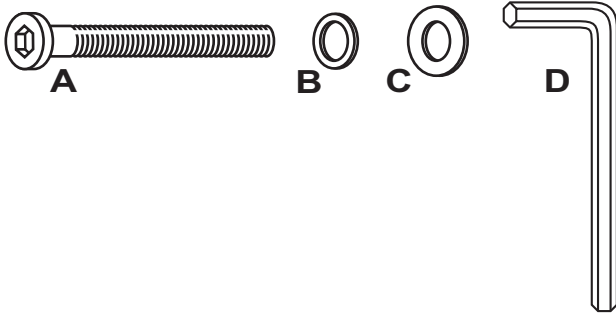
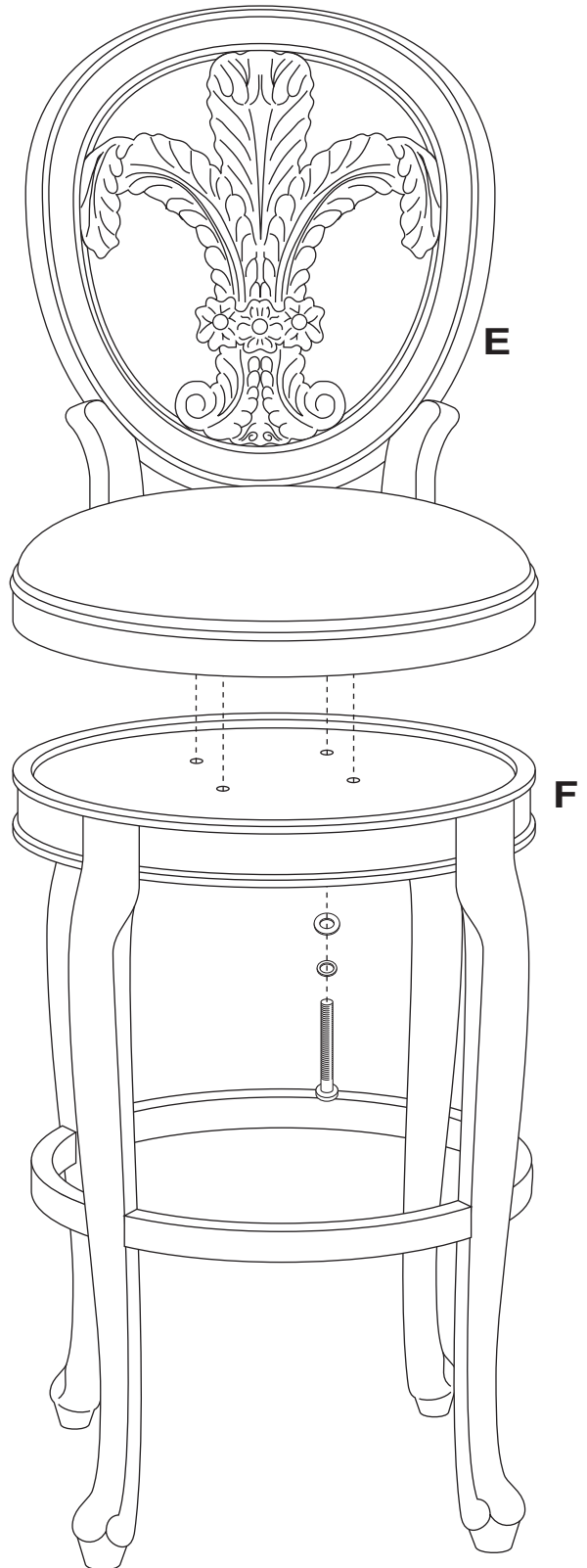


Image represents a generic drawing of the original item that you have purchased.



* * * ASSEMBLY * * *

Begin assembly by attaching the Stool Top (E) to Stool Base (F), using 4 Allen Bolts (A), 4 Spring Washers (B) & 4 Flat Washers (C) from the bottom side, through and into the swivel plate. Tighten all bolts using the Allen Wrench (D) provided. The assembly of your new stool is complete.

CARE & MAINTENANCE: The touch of a soft cloth is all the maintenance the finish will ever need. Please do not use harsh or abrasive cleaners for polishing, as they may cause damage to the finish. Periodic checks are recommended to make sure that all bolts, screws and nuts are securely tightened.